

VIP/MSTB/D50M/BASE/16CH/CX/EX - Base module



2908788

<https://www.phoenixcontact.com/us/products/2908788>

Please be informed that the data shown in this PDF document is generated from our online catalog. Please find the complete data in the user documentation. Our general terms of use for downloads are valid.



16-channel VIP I/O marshalling base element for universal use. Plug-in field and supply terminals available as accessories. Either with screw or Push-in connection technology. Compatible with the Tricon CX DCS series (D-SUB 50).

Your advantages

- Integrated carrier for IOA insertion and retention
- Screw and push-in (PT) plug kits available as separate part numbers
- Terminals for redundant power supply connections with fusing
- Each channel has four field-side connections (A, B, C, D)
- IOA modules sold separately

Commercial data

Item number	2908788
Packing unit	1 pc
Note	Made to order (non-returnable)
Sales key	C480
Product key	CK8122
GTIN	4055626477992
Weight per piece (including packing)	730.7 g
Weight per piece (excluding packing)	730.7 g
Customs tariff number	85366990
Country of origin	CN

2908788

<https://www.phoenixcontact.com/us/products/2908788>

Technical data

Product properties

Product type	Module carrier
Product family	VIP I/O-Marshalling
No. of channels	16

Insulation characteristics

Overvoltage category	II, III
Pollution degree	2

Electrical properties

No. of channels	16
Max. operating voltage U_{max}	30 V DC (field terminals)
	230 V AC (field terminals)
	30 V DC (A and B terminals)
	30 V DC (D-SUB 50 connector)
Max. permissible current	3 A (A and B terminals)
Max. permissible total current	10 A (per module)
Max. current carrying capacity per branch	3 A (field signal)
	0.5 A (control contacts)

Connection data

Field level

Connection in acc. with standard	IEC / EN
Connection method	pluggable
Number of connections	4
Number of positions	16

Controller level

Connection method	D-SUB pin strip
Number of connections	1
Number of positions	50

Ex data

Safety data

Input voltage U_i	30 V (per channel)
Input current I_i	0.5 A (per channel)
Inductance L_i	0 mH
Capacitance C_i	0 μ F
Safety-related maximum voltage U_m	253 V AC/DC (A and B terminals and D-SUB 50)

Signaling

Status display	No
----------------	----

VIP/MSTB/D50M/BASE/16CH/CX/EX - Base module

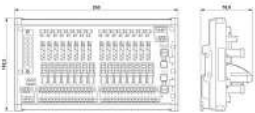


2908788

<https://www.phoenixcontact.com/us/products/2908788>

Status display present	No
------------------------	----

Dimensions

Width	249.998599 mm
Height	142.3 mm
Depth	78.896334 mm
Dimensional drawing	
Width	250 mm
Height	142.3 mm
Depth	78 mm

Environmental and real-life conditions

Ambient conditions

Degree of protection	IP20
Ambient temperature (operation)	-40 °C ... 70 °C
Ambient temperature (storage/transport)	-40 °C ... 70 °C
Altitude	< 2000 m
Permissible humidity (operation)	0 % ... 95 % (non-condensing)

Approvals

ATEX

Identification	⊕ II 3G Ex nA IIC T4 Gc
Certificate	Sira 18ATEX 4041X

IECEX

Identification	Ex nA IIC T4 Gc
Certificate	IECEX SIR 18.0007X

UKEX

Identification	⊕ II 3G Ex nA IIC T4 Gc
Certificate	PxCIF23UKEX2908788X

CSA, USA/Canada

Identification	Class I, Div. 2 Groups A, B, C, D T4
	Class I, Zone 2, AEx nA IIC T4 Gc
	Ex nA IIC T4 Gc

Standards and regulations

Standards/regulations	IEC 60664
	DIN EN 50178

VIP/MSTB/D50M/BASE/16CH/CX/EX - Base module



2908788

<https://www.phoenixcontact.com/us/products/2908788>

Mounting

Mounting type	DIN rail mounting
Mounting position	As desired on 35 mm DIN rail in acc. with EN 60715

VIP/MSTB/D50M/BASE/16CH/CX/EX - Base module

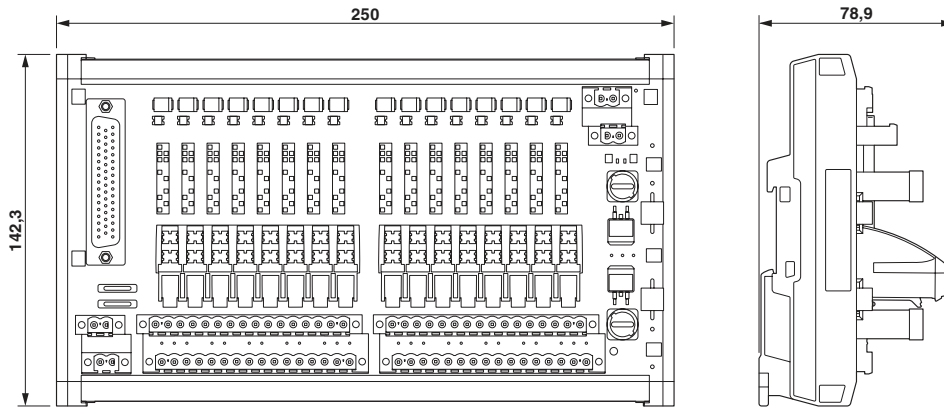


2908788

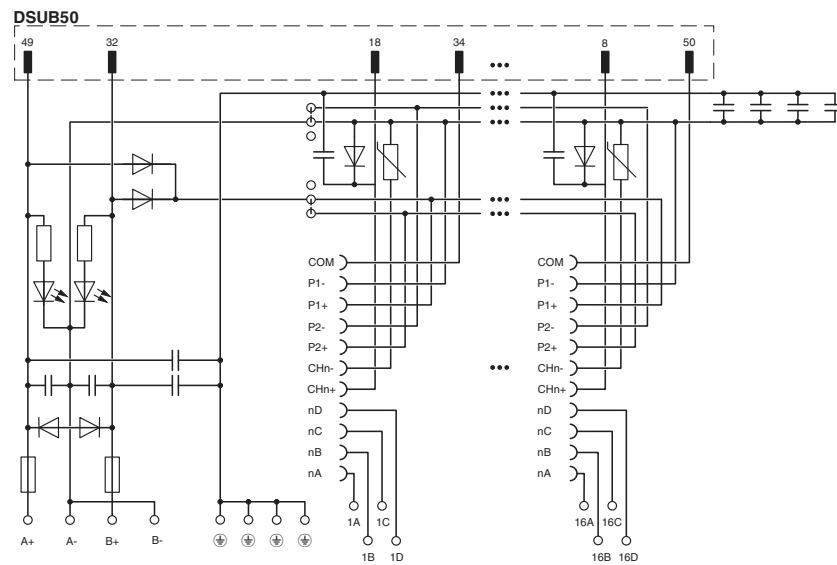
<https://www.phoenixcontact.com/us/products/2908788>

Drawings

Dimensional drawing



Circuit diagram



2908788

<https://www.phoenixcontact.com/us/products/2908788>

Approvals

To download certificates, visit the product detail page: <https://www.phoenixcontact.com/us/products/2908788>

Functional Safety

Approval ID: PHO 1609035 C002



IECEX

Approval ID: IECEX SIR 18.0007X



CSA

Approval ID: 70167152



CSAus

Approval ID: 70167152



ATEX

Approval ID: SIRA 18ATEX4041X



ATEX

Approval ID: SIRA 18ATEX2040X

cCSAus

2908788

<https://www.phoenixcontact.com/us/products/2908788>

Classifications

ECLASS

ECLASS-11.0	27141152
ECLASS-13.0	27141152
ECLASS-12.0	27141152

ETIM

ETIM 8.0	EC002780
----------	----------

UNSPSC

UNSPSC 21.0	39121400
-------------	----------

VIP/MSTB/D50M/BASE/16CH/CX/EX - Base module



2908788

<https://www.phoenixcontact.com/us/products/2908788>

Environmental product compliance

REACH SVHC

Lead 7439-92-1

VIP/MSTB/D50M/BASE/16CH/CX/EX - Base module



2908788

<https://www.phoenixcontact.com/us/products/2908788>

Mandatory accessories

IOA FEED-THRU/EX - Feed-through plug

2906598

<https://www.phoenixcontact.com/us/products/2906598>



Feed-through terminal block for VIP I/O-Marshalling base elements for conveying field signals to or from the I/O system.

IOA MCR-CJC-PT100 - Plug

1085776

<https://www.phoenixcontact.com/us/products/1085776>



Plug for cold junction compensation for thermocouples, in combination with MACX MCR(-EX)-TC... temperature transducers

VIP/MSTB/D50M/BASE/16CH/CX/EX - Base module



2908788

<https://www.phoenixcontact.com/us/products/2908788>

IOA-PSR-PS22-1NO-1NC-24DC - Coupling relay

2702971

<https://www.phoenixcontact.com/us/products/2702971>



Plug-in SIL coupling relay as an input/output accessory for VIP base module, SIL 3 high- and low-demand applications, safe-state-off, couples digital output signals to the periphery, one enabling current path, one confirmation current path, test pulse filter

IOA AI/AO/BFI/DS/0.5A/EX - Input/output module

2906599

<https://www.phoenixcontact.com/us/products/2906599>



Fuse module for VIP I/O-Marshalling base elements with replaceable 0.5 A fuses in the field device supply path and in the signal path. Integrated test points and a disconnect knife enable uninterrupted signal measurement.

VIP/MSTB/D50M/BASE/16CH/CX/EX - Base module



2908788

<https://www.phoenixcontact.com/us/products/2908788>

IOA DI/DO/BFI/DS/1.0A/EX - Input/output module

2906600

<https://www.phoenixcontact.com/us/products/2906600>



Fuse module for VIP I/O-Marshalling base elements with replaceable 1 A fuses in the field device supply path and in the signal path. Integrated test points and a disconnect knife enable uninterrupted signal measurement.

IOA REL 24V DO/BFI/3.0A/EX - Relay Module

2910153

<https://www.phoenixcontact.com/us/products/2910153>



Relay module for VIP I/O-Marshalling base elements. For switching 24 V DC loads up to max. 3 A. Integrated fuse and fuse failure indication. N/O contact or N/C contact can be used.

VIP/MSTB/D50M/BASE/16CH/CX/EX - Base module



2908788

<https://www.phoenixcontact.com/us/products/2908788>

IOA REL 120V DO/BFI/3.0A/EX - Relay Module

2910154

<https://www.phoenixcontact.com/us/products/2910154>



Relay module for VIP I/O-Marshalling base elements. For switching 120 V AC loads up to max. 3 A. Integrated fuse and fuse failure indication. N/O contact or N/C contact can be used.

IOA REL 230V DO/BFI/NO/3.0A/EX - Relay Module

2910421

<https://www.phoenixcontact.com/us/products/2910421>



Relay module for VIP I/O-Marshalling base elements. For switching 230 V AC loads up to max. 3 A. Integrated fuse and fuse failure indication. N/O contact can be used.

VIP/MSTB/D50M/BASE/16CH/CX/EX - Base module



2908788

<https://www.phoenixcontact.com/us/products/2908788>

IOA REL 230V DO/BFI/NC/3.0A/EX - Relay Module

2910422

<https://www.phoenixcontact.com/us/products/2910422>



Relay module for VIP I/O-Marshalling base elements. For switching 230 V AC loads up to max. 3 A. Integrated fuse and fuse failure indication. N/C contact can be used.

IOA REL 24V DI/BFI/1.0A/EX - Relay Module

2910155

<https://www.phoenixcontact.com/us/products/2910155>



Relay module for VIP I/O-Marshalling base elements. For the electrically isolated coupling of 24 V DC field devices to digital inputs. Integrated fuse and fuse failure indication.

VIP/MSTB/D50M/BASE/16CH/CX/EX - Base module



2908788

<https://www.phoenixcontact.com/us/products/2908788>

IOA REL 120V DI/1.0A/EX - Relay Module

2910157

<https://www.phoenixcontact.com/us/products/2910157>



Relay module for VIP I/O-Marshalling base elements. For the electrically isolated coupling of 120 V AC field devices to digital inputs. Integrated fuse and fuse failure indication.

IOA REL 230V DI/1.0A/EX - Relay Module

2910423

<https://www.phoenixcontact.com/us/products/2910423>



Relay module for VIP I/O-Marshalling base elements. For the electrically isolated coupling of 230 V AC field devices to digital inputs. Integrated fuse and fuse failure indication.

VIP/MSTB/D50M/BASE/16CH/CX/EX - Base module



2908788

<https://www.phoenixcontact.com/us/products/2908788>

IOA RPSS-I-I/HART/EX - Power/input isolating amplifier

2908452

<https://www.phoenixcontact.com/us/products/2908452>



Ex ic repeater power supply and input signal conditioner, HART for VIP I/O-Marshalling base elements: Transmits 0/4 ... 20 mA signals from the potentially explosive area (zone 2, CID2) to a load (active or passive) in the safe area. 3-way electrical isolation

IOA FEED-THRU-DO/NI/EX - Feed-through plug

1172189

<https://www.phoenixcontact.com/us/products/1172189>



Non-incendive, Ex ic impeding devices for VIP I/O marshalling base elements. For limiting current (60 mA or 80 mA) and voltage (26.4 V DC) on digital outputs. For example, to control solenoid valves in the Ex area (zone 2, CID2).

VIP/MSTB/D50M/BASE/16CH/CX/EX - Base module



2908788

<https://www.phoenixcontact.com/us/products/2908788>

IOA PR-DAI/DAO/F/DS/2A/EX - Input/output module

1048208

<https://www.phoenixcontact.com/us/products/1048208>



Fuse module for VIP I/O marshalling base elements with replaceable 2 A fuse in the field device supply path. Integrated test points and a disconnect knife allow uninterrupted signal measurement.

IOA PR-DAI/DAO/F/DS/0.25A/EX - Input/output module

1188706

<https://www.phoenixcontact.com/us/products/1188706>



Fuse module for VIP I/O marshalling base elements with replaceable 0.25 A fuse in the field device supply path. Integrated test points and a disconnect knife allow uninterrupted signal measurement.

VIP/MSTB/D50M/BASE/16CH/CX/EX - Base module



2908788

<https://www.phoenixcontact.com/us/products/2908788>

IOA DAC-4DI/AI/EX - Converter

1145061

<https://www.phoenixcontact.com/us/products/1145061>



Digital-to-analog converter for VIP I/O-Marshalling base elements. For connection of four digital inputs and conversion to a single analog 4...20 mA signal. Saves three I/O channels.

IOA LM-DI/R/RUSIO/EX - Monitoring module

1048209

<https://www.phoenixcontact.com/us/products/1048209>



Cable monitoring module for VIP I/O marshalling base elements. Enables cable fault monitoring when using standard switching contacts in safety applications. Both wire breaks and short circuits can be detected.

VIP/MSTB/D50M/BASE/16CH/CX/EX - Base module



2908788

<https://www.phoenixcontact.com/us/products/2908788>

VIP/UM-PRO/BASE DIVIDER/CX - Partition plate

2910139

<https://www.phoenixcontact.com/us/products/2910139>



VIP I/O marshalling partition plate for safe isolation between Ex i plug-in modules and the power supply of the VIP/MSTB/D50M/BASE/16CH/CX/EX base module. The partition plate is mounted directly on the base module between the plug-in IOAs and the power supply.

Accessories

VIP/S/MVSTBR/KIT CX - Connector set

2910416

<https://www.phoenixcontact.com/us/products/2910416>

Plug kit for use with VIP/MSTB/D50M/BASE..., screw connections



VIP/MSTB/D50M/BASE/16CH/CX/EX - Base module



2908788

<https://www.phoenixcontact.com/us/products/2908788>

VIP/P/FKC/KIT CX - Connector set

2910417

<https://www.phoenixcontact.com/us/products/2910417>

Plug kit for use with VIP/MSTB/D50M/BASE..., push-in connections



UC-TM 10 - Marker for terminal blocks

0818069

<https://www.phoenixcontact.com/us/products/0818069>



Marker for terminal blocks, Sheet, white, unlabeled, can be labeled with: BLUEMARK ID COLOR, BLUEMARK ID, BLUEMARK CLED, PLOTMARK, CMS-P1-PLOTTER, mounting type: snapped, for terminal block width: 10.2 mm, lettering field size: 9.6 x 10.5 mm, Number of individual labels: 48

VIP/MSTB/D50M/BASE/16CH/CX/EX - Base module



2908788

<https://www.phoenixcontact.com/us/products/2908788>

UC-TM 10 BU - Marker for terminal blocks

0818441

<https://www.phoenixcontact.com/us/products/0818441>



Marker for terminal blocks, Sheet, blue, unlabeled, can be labeled with: BLUEMARK ID COLOR, BLUEMARK ID, BLUEMARK CLED, PLOTMARK, CMS-P1-PLOTTER, mounting type: snapped, for terminal block width: 10.2 mm, lettering field size: 9.6 x 10.5 mm, Number of individual labels: 48

B-STIFT - Marker pen

1051993

<https://www.phoenixcontact.com/us/products/1051993>



Marker pen, for manual labeling of unprinted Zack strips, smear-proof and waterproof, line thickness 0.5 mm

Phoenix Contact 2023 © - all rights reserved
<https://www.phoenixcontact.com>

Phoenix Contact USA
586 Fulling Mill Road
Middletown, PA 17057, United States
(+717) 944-1300
info@phoenixcon.com