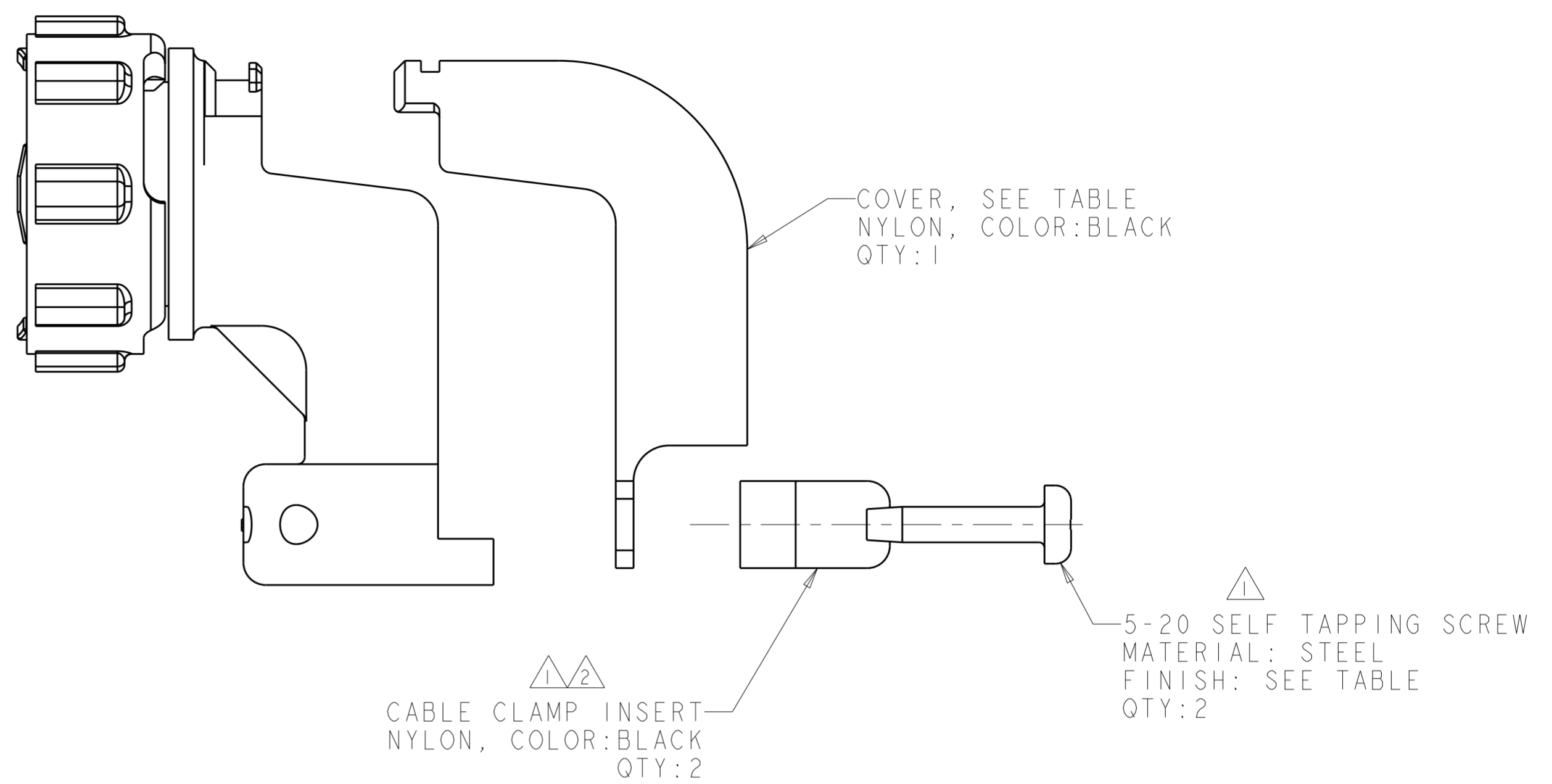
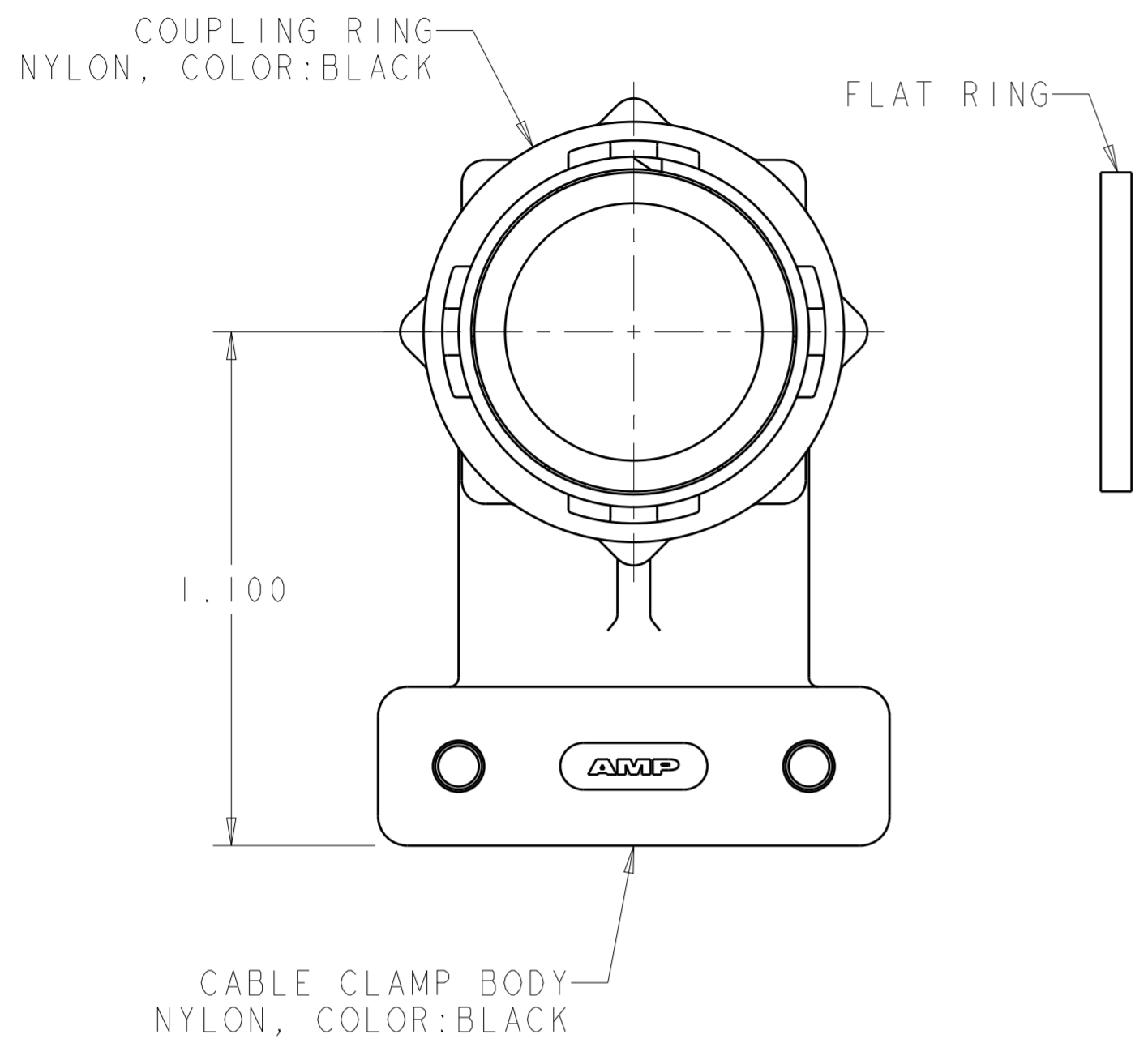
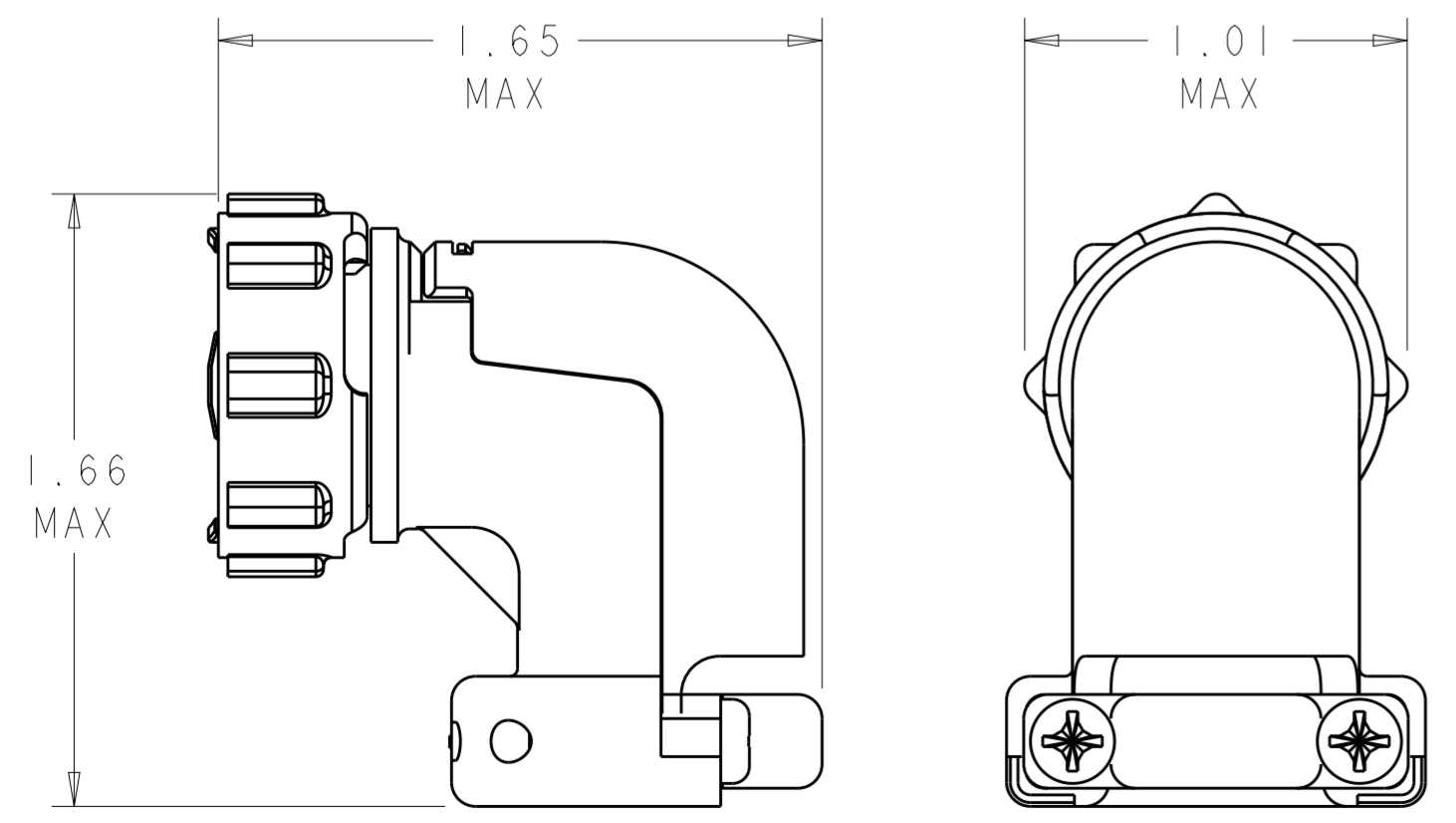


THIS DRAWING IS UNPUBLISHED. RELEASED FOR PUBLICATION  
 © COPYRIGHT 20 BY - ALL RIGHTS RESERVED.

REVISIONS				
P	LTR	DESCRIPTION	DATE	APVD
	CI	REVISED PER ECO-16-004800	08SEP2016	NK MZ



- 1 SELF TAPPING SCREWS AND CABLE CLAMP INSERTS PACKAGED UNASSEMBLED.
- 2 CLAMPING AREA ADJUSTABLE TO .453 O.D. MAX CABLE. CABLE CLAMP INSERTS CAN BE ADJUSTED BY INVERTING OR CHANGING CABLE CLAMP INSERT.



ASSEMBLED VIEW  
SCALE 2:1

	ZINC PLATED NON-HEXAVALENT CHROMATE	YES	1546746-4
	ZINC PLATED NON-HEXAVALENT CHROMATE	NO	1546746-3
	ZINC PLATED NON-HEXAVALENT CHROMATE	YES	1546746-2
OBSOLETE	ZINC PLATED NON-HEXAVALENT CHROMATE	NO	<del>1546746-1</del>
	SCREW FINISH	COVER	PART NUMBER

THIS DRAWING IS A CONTROLLED DOCUMENT.		DWN S. WELDON 06 JUN 2003	<b>STE</b> TE Connectivity
DIMENSIONS: INCHES		CHK H. WAKEEM 06 JUN 2003	
TOLERANCES UNLESS OTHERWISE SPECIFIED:		APVD H. WAKEEM 06 JUN 2003	
0 PLC ± 1 PLC ± 2 PLC ± 3 PLC ±0.005 4 PLC ± ANGLES ± FINISH -		NAME CABLE CLAMP KIT, UNASSEMBLED, R/A, W/COVER, SIZE 11, MINI CPC PRODUCT SPEC - APPLICATION SPEC - WEIGHT -	
MATERIAL -		CUSTOMER DRAWING	SIZE A200779 CAGE CODE C-1546746 DRAWING NO 1546746 RESTRICTED TO - SCALE 3:1 SHEET 1 OF 1 REV CI