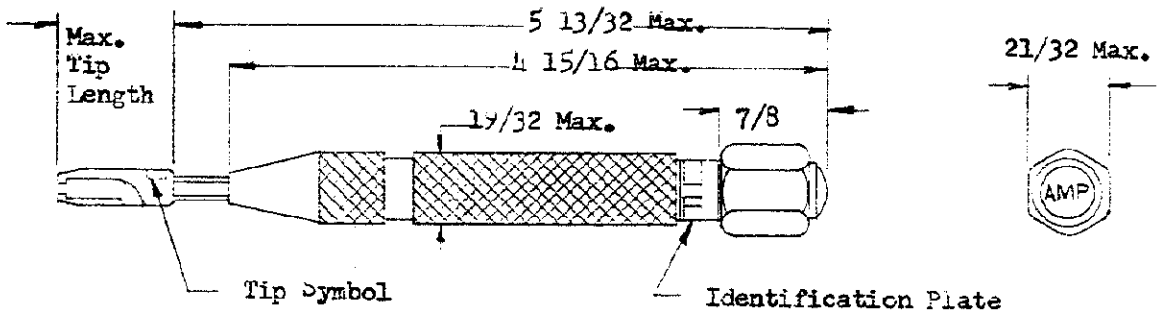


NUMBER
C-380430



Tool Number	Trip Force	Tip Number	Tip Symbol	Tip Length
* 380430-1	20-22	380429-1	E1	① 1 9/64
380430-2	12-13	380429-1	E1	① 1 9/64
380430-3	12-13	811013-1	L1	1 1/32
* 380430-4	20-22	811013-1	L1	1 1/32

* 20-22 pound tool to be used exclusively for inserting terminals into receptacles mounted in resilient material.

APPLICATION TOOLING ENGRG.
CONNECTOR PRODUCTS DIV.

1. For Tool usage, see Instruction Sheet # 7077.
2. For Tip dimensions, see Tip Customer Drawing.
3. For readjustment or replacement of parts other than Tips, return Tool to AMP, Inc., Mt. Joy, Penna. to insure proper calibration.
4. Trip force is the force in pounds, required to trip the tool.

DIMENSIONS IN INCHES. DO NOT SCALE PRINT.

				© 1957 BY AMP INCORPORATED. ALL RIGHTS RESERVED. AMP PRODUCTS COVERED BY PATENTS AND/OR PATENTS PENDING.		CUSTOMER COPY REFERENCE ONLY	
F-1 LOC. M WAS E				Steel-Plated; Aluminum		AMP AMP INCORPORATED HARRISBURG, PENNA.	
F 1 9/64 WAS 1 ON-15-2				Weight 3 1/2 ± 1/2 Oz.		CLASS _____	
E-1 ADDED 20-22 nd NOTE				WIRE — RANGE — INSULATION		TYPE _____	
E REV & REDRAWN				TOLERANCE EXCEPT AS NOTED		LOC M NO A	
L-TR REVISION RECORD				= .015 = 1° 0'		NO C-380430	
DR JES 1/15/63				NAME		REV F1	
CHK RT 1/15/63				TOOL STANDARD CERTI-LOK INSERTION			