

5

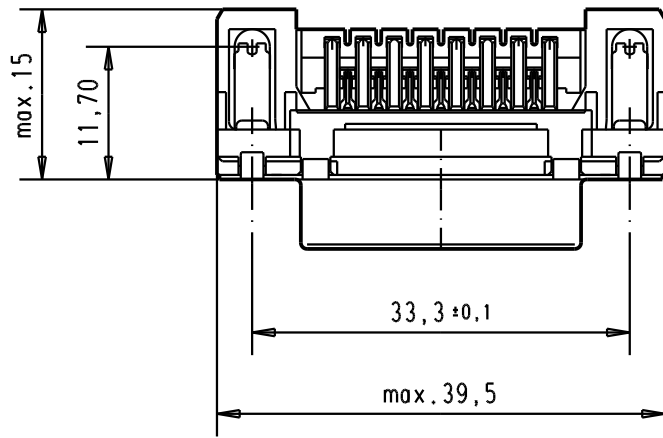
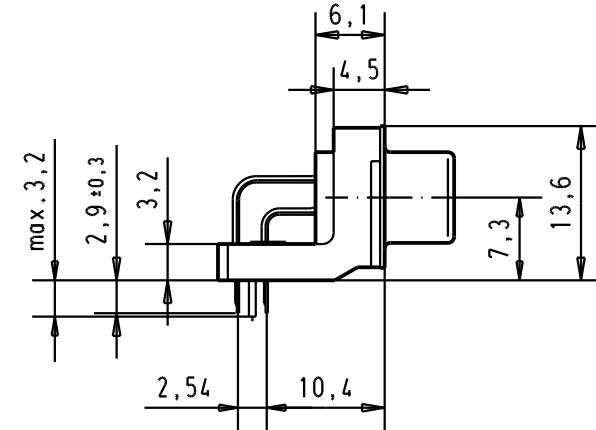
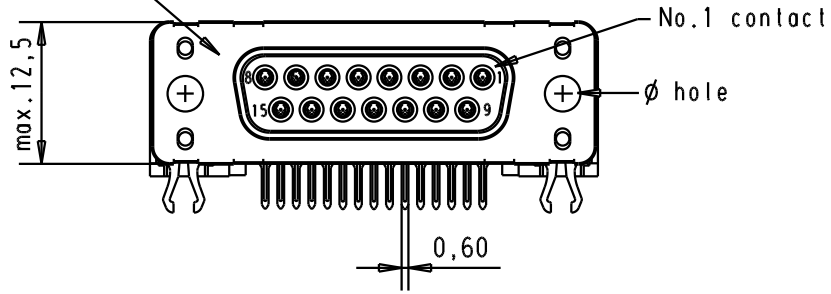
4

3

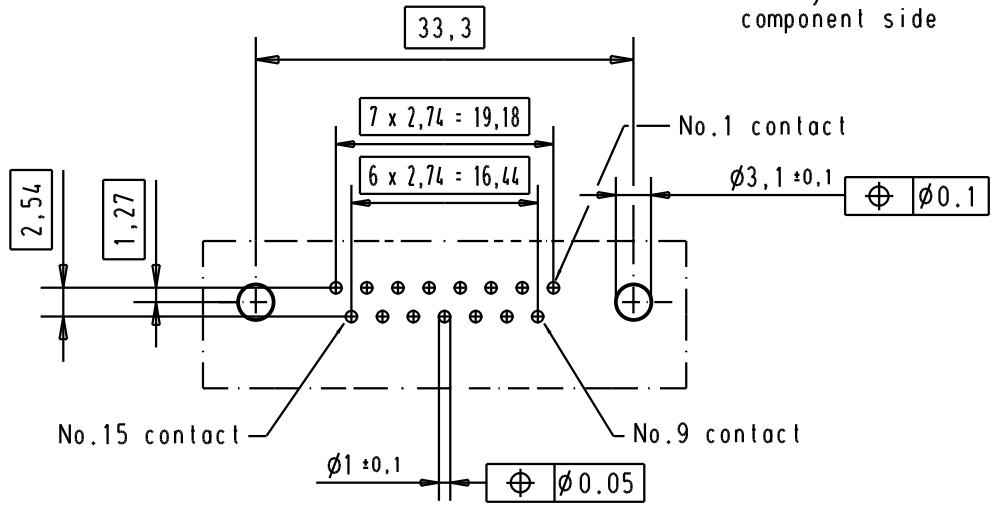
2

1



Mating face according to : MIL-C-24308 / DIN 41652 / CECC 75301-802



PCB layout hole component side



Connector retention and insertion forces on the PCB = 25 / 80 newtons

|                |           |                   |       |           |         | Det.                          | Name | <br>All Dim. in mm<br>Orig. Size DIN A 4 | D-Sub 15 poles standard angle female, solder pin with hole and grounding board lock. | Maßstab/<br>Scale<br>1.5:1 |
|----------------|-----------|-------------------|-------|-----------|---------|-------------------------------|------|---|--|----------------------------|
|                |           |                   |       |           |         | Insp.                         |      |   |  |                            |
|                |           |                   |       |           |         | Stand.                        |      |   |  |                            |
| 09 66 252 3610 | 3.1 ± 0.1 | 1                 | 31892 | 05/05/04  | JH      |                               |      |   |  |                            |
| 09 66 252 6610 | 3.1 ± 0.1 | 2                 | 31084 | 04/SEP/02 | YT      |                               |      |   |  |                            |
| 09 66 252 7610 | 3.1 ± 0.1 | 3                 | 27960 | 05/dec/00 | ALSPACE |                               |      |   |  |                            |
| Part number    | ø hole    | Performance level | Mod.  | Dat.      | Name    | HARTING EURL<br>F-95972 Paris |      |    | TB 0966252x61x   | Blatt/ Page<br>4 / 5       |
|                |           |                   |       |           |         |                               |      |   |  |                            |