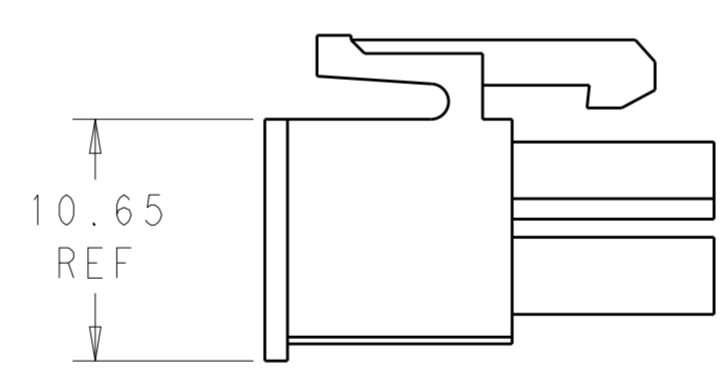
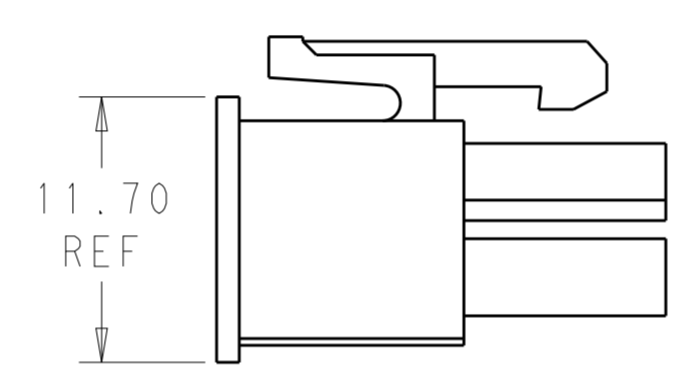
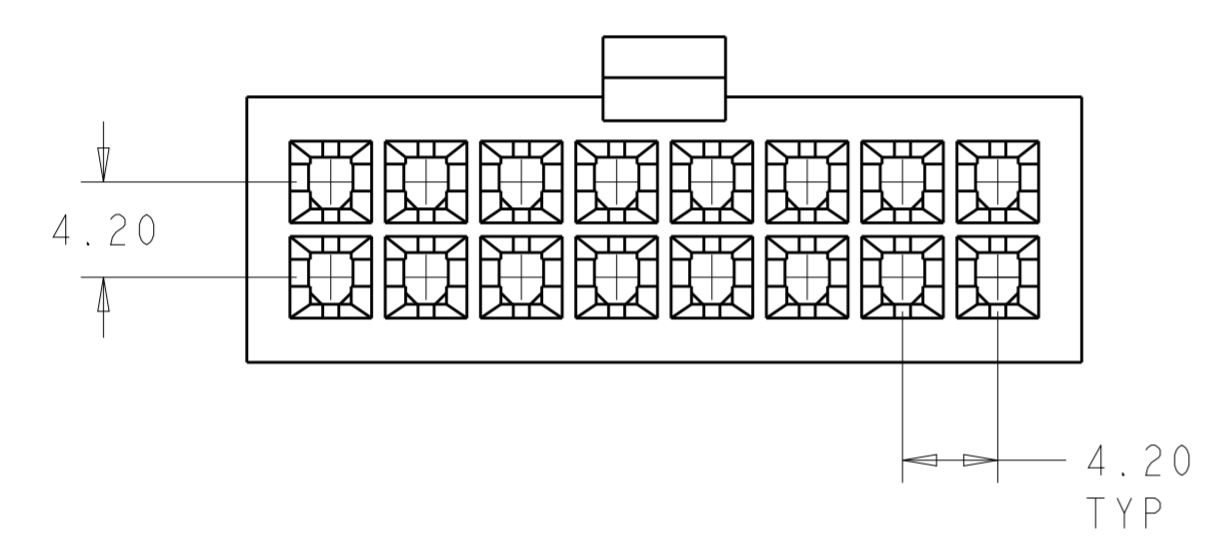
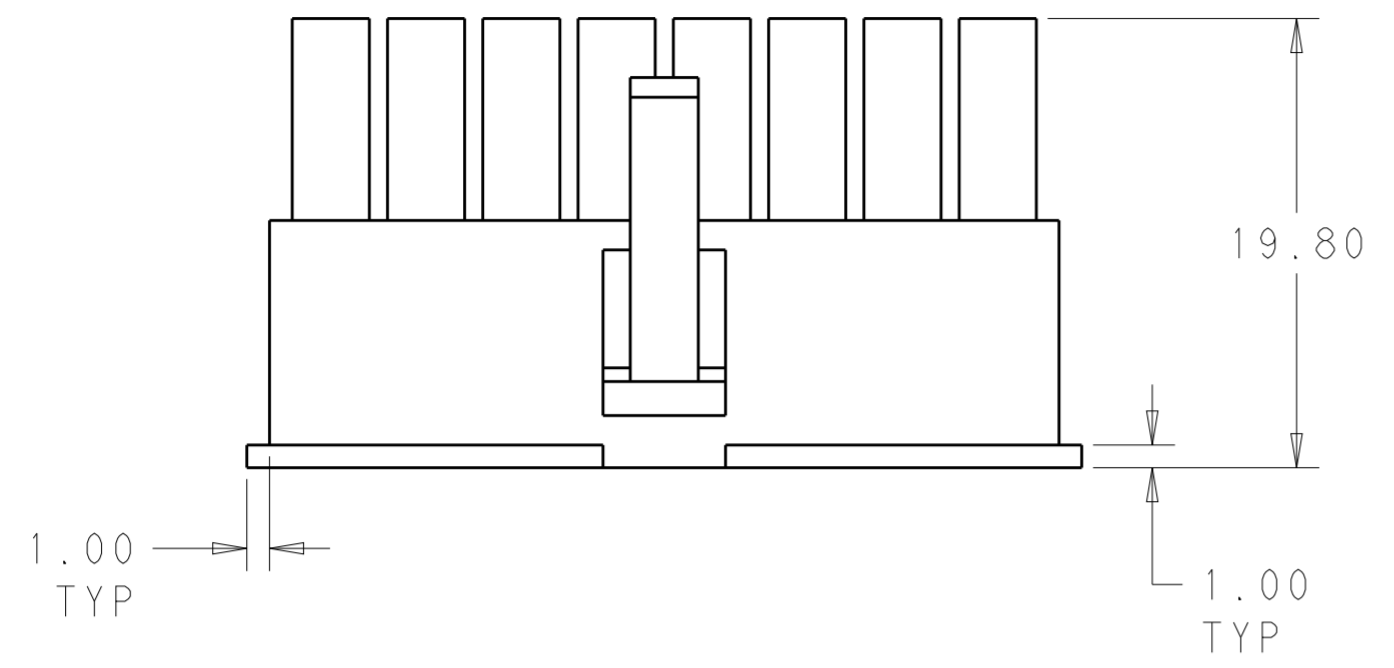
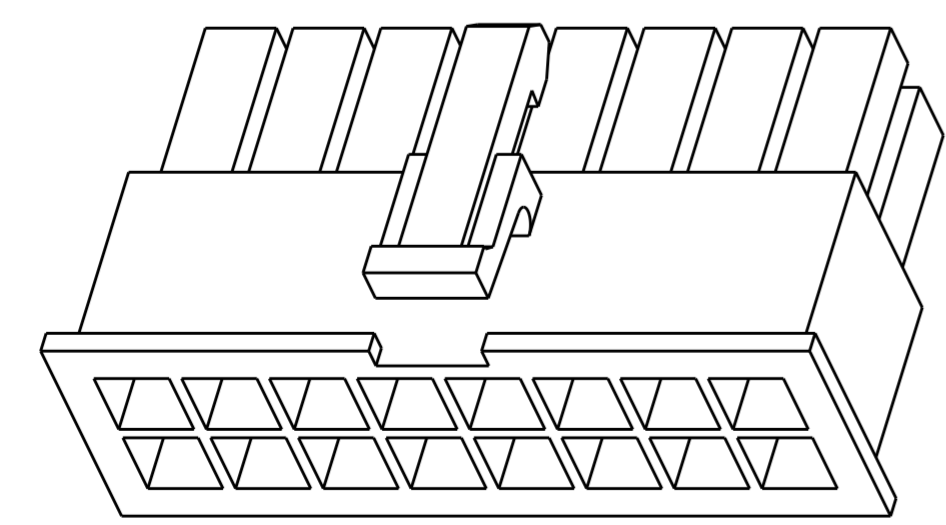
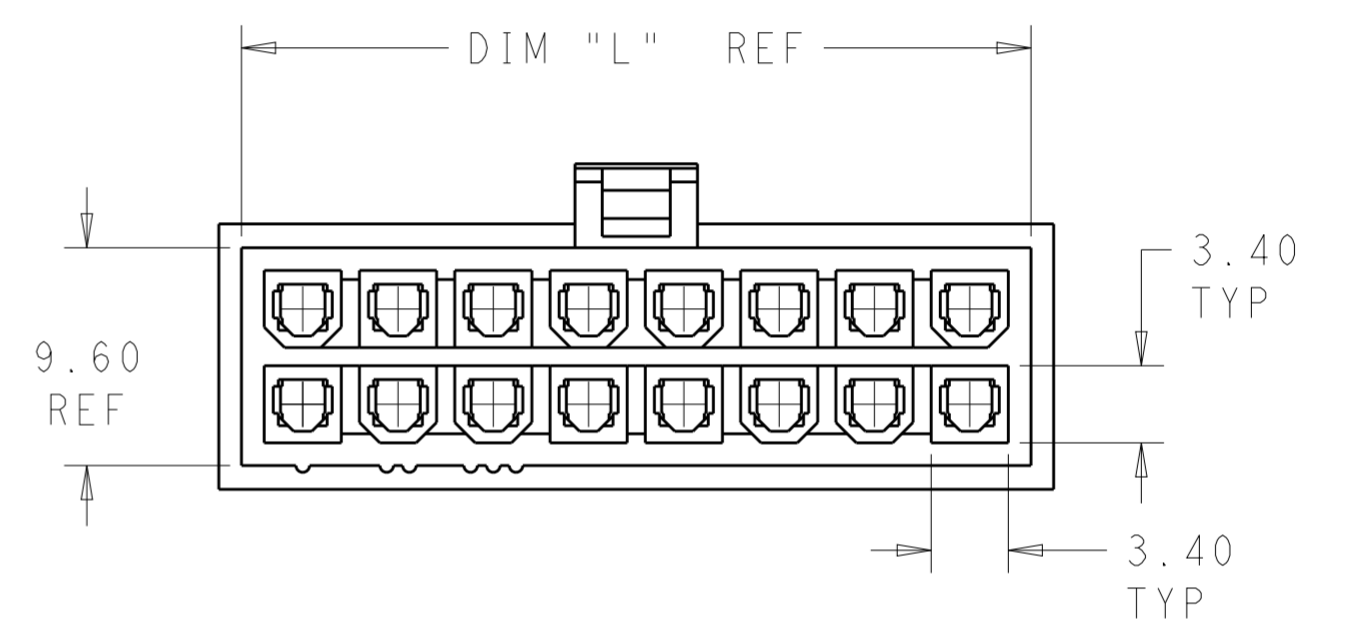


THIS DRAWING IS UNPUBLISHED. RELEASED FOR PUBLICATION 20
 © COPYRIGHT 20 BY - ALL RIGHTS RESERVED.

REVISIONS				DATE	DWN	APVD
P	LTR	DESCRIPTION				
	A1	REVISED PER ECR-15-006926	05MAY15	JR	KR	



SCALE 3:1
FOR -2 PART ONLY



51.60	24	2-1969614-4
47.40	22	2-1969614-2
43.20	20	2-1969614-0
39.00	18	1-1969614-8
34.80	16	1-1969614-6
30.60	14	1-1969614-4
26.40	12	1-1969614-2
22.20	10	1-1969614-0
18.00	8	1969614-8
13.80	6	1969614-6
9.60	4	1969614-4
5.40	2	1969614-2
DIM L	NO. OF POS	PART NO.

THIS DRAWING IS A CONTROLLED DOCUMENT.		DWN	JR RUTH	18JAN13	TE Connectivity NAME RECEPTACLE HOUSING, VAL-U-LOK			
DIMENSIONS:		CHK	KURT RANDOLPH	18JAN13				
TOLERANCES UNLESS OTHERWISE SPECIFIED:		APVD	KURT RANDOLPH	18JAN13				
mm		PRODUCT SPEC	-	-				
0 PLC ± 1 PLC ± 2 PLC ±0.25 3 PLC ± 4 PLC ± ANGLES ± FINISH		APPLICATION SPEC	-	-	SIZE	CAGE CODE	DRAWING NO	RESTRICTED TO
MATERIAL		WEIGHT	-	-	A2	00779	C-1969614	-
NYLON 6/6, V0		Customer Drawing	SCALE 3:1		SHEET 1 OF 1		REV A1	