

6

5

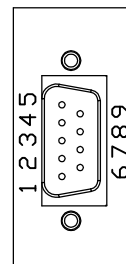
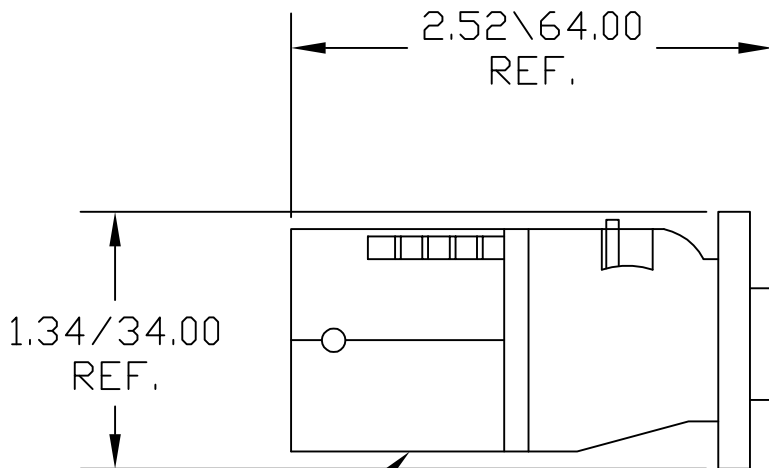
4

3

2

1

MATERIAL NUMBER	ENGINEERING PART NUMBER
1201035001	MA9D00-42



D-SUB FACE VIEW

9	NOT CONNECTED
8	GREEN (LINE A)
7	NOT CONNECTED
6	NOT CONNECTED
5	NOT CONNECTED
4	NOT CONNECTED
3	RED (LINE B)
2	NOT CONNECTED
1	NOT CONNECTED

WIRING DIAGRAM

FEATURING
 DIAGNOSTIC LED
 TERMINATION SWITCH
 CABLE CONNECTION USING IDC TECHNOLOGY

VOLTAGE RATING	30 VAC/VDC
AMPERAGE RATING	4 AMPS
PROTECTION FOR D-SUB	IP20

ITEM	COMPONENT	MATERIAL
1	HOUSING	DIE CAST ZINC

RELEASE SD DRAWING EC NO: WEL2010-0084 DRWN: TWOLDEGE 8/28/09 CHKD: --- APPR: JFMURPHY 2009/08/31	QUALITY SYMBOLS ▽=0 ▽C=0	GENERAL TOLERANCES (UNLESS SPECIFIED)		DIMENSION STYLE	SCALE	DESIGN UNITS	THIRD ANGLE PROJECTION		
			mm	INCH	----	INCH			
		4 PLACES	±----	±----	DRAWN BY	DATE	TITLE		
		3 PLACES	±----	±----	TWOLDEGE	2009/08/28	PROFIBUS ATTACHABLE 9 PIN D-SUB 0D		
2 PLACES	±----	±----	CHECKED BY	DATE	----				
1 PLACE	±----	±----	BWOODMAN	2009/08/28	MOLEX INCORPORATED				
ANGULAR ±----°		APPROVED BY		DATE	MATERIAL NO.				
DRAFT WHERE APPLICABLE MUST REMAIN WITHIN DIMENSIONS		JFMURPHY		2009/08/28	DOCUMENT NO.		SHEET NO.		
		MATERIAL NO.		1201035001	SD-120103-001		1 OF 1		
SIZE A		THIS DRAWING CONTAINS INFORMATION THAT IS PROPRIETARY TO MOLEX INCORPORATED AND SHOULD NOT BE USED WITHOUT WRITTEN PERMISSION							

6

5

4

3

2

1