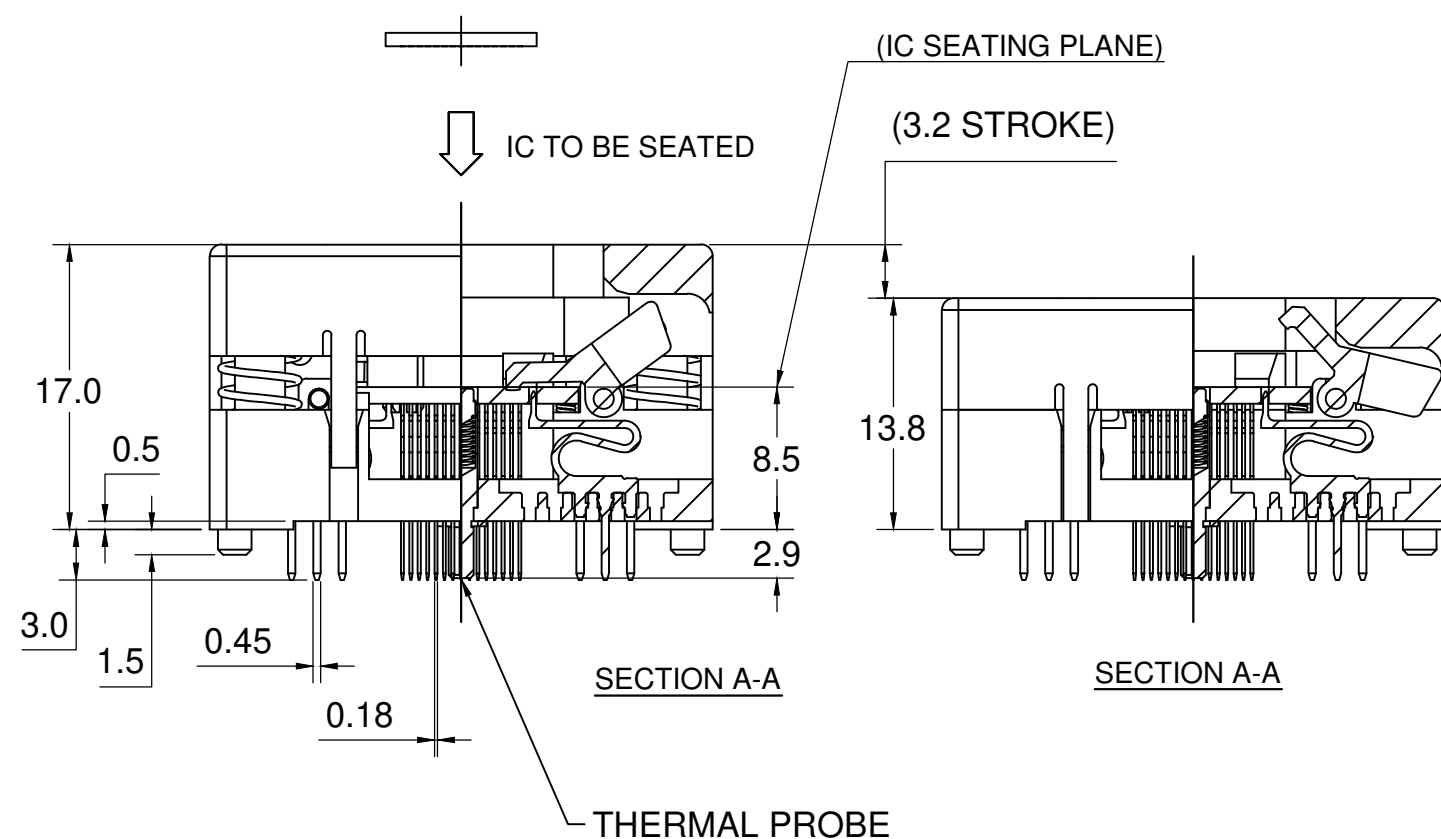
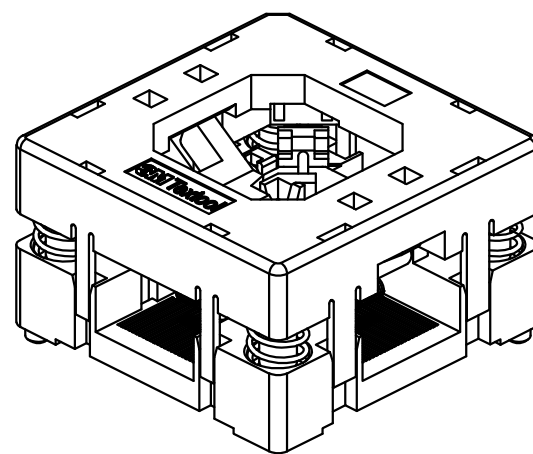
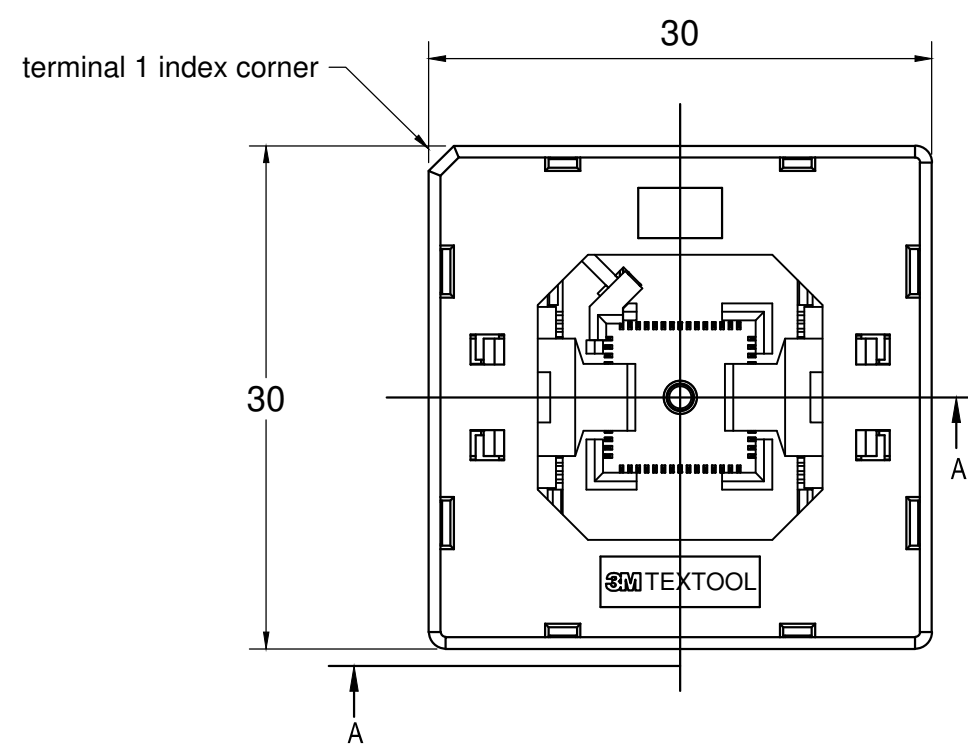


3M™ TEXTTOOL™ OPEN-TOP SOCKETS FOR QFN APPLICATIONS



NOTES:

1. MATERIALS:

SPRINGS	SS	PLATING : Au
CONTACTS	Be Cu	COLOR : BLACK
IC GUIDES	PES	COLOR : BLACK
PRESSURE PAD	PES	COLOR : BLACK
COVER	PPS or equiv.	COLOR : BLACK
BASE	PES	COLOR : BLACK

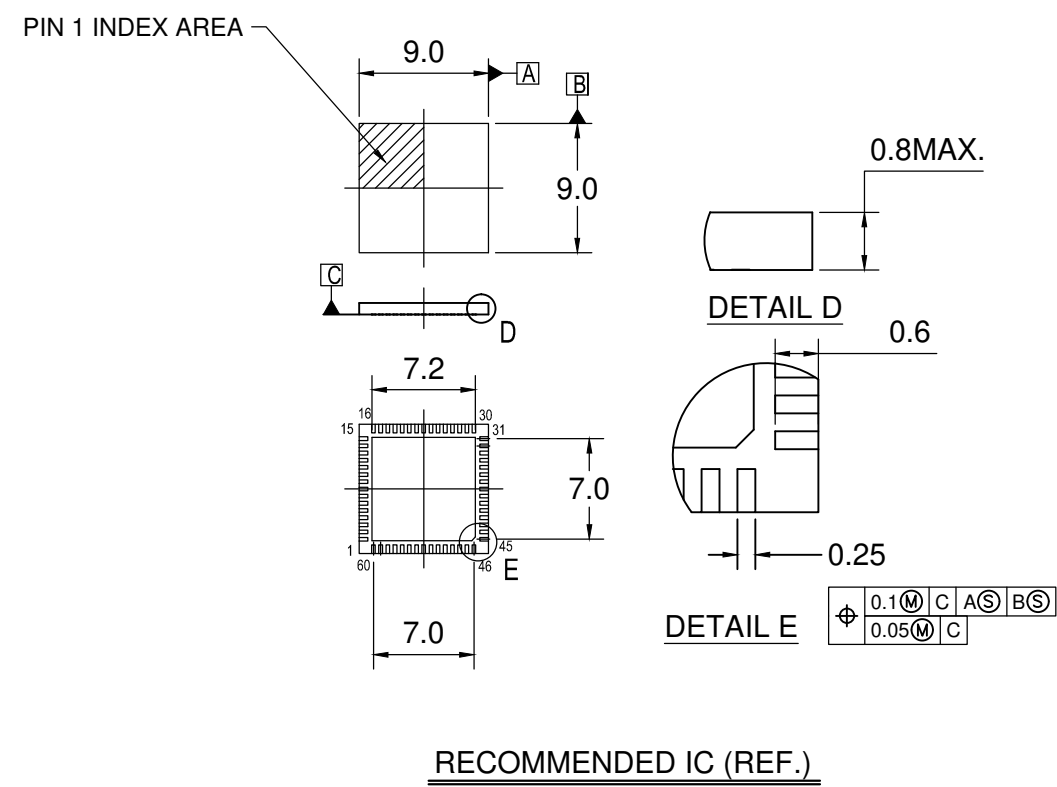
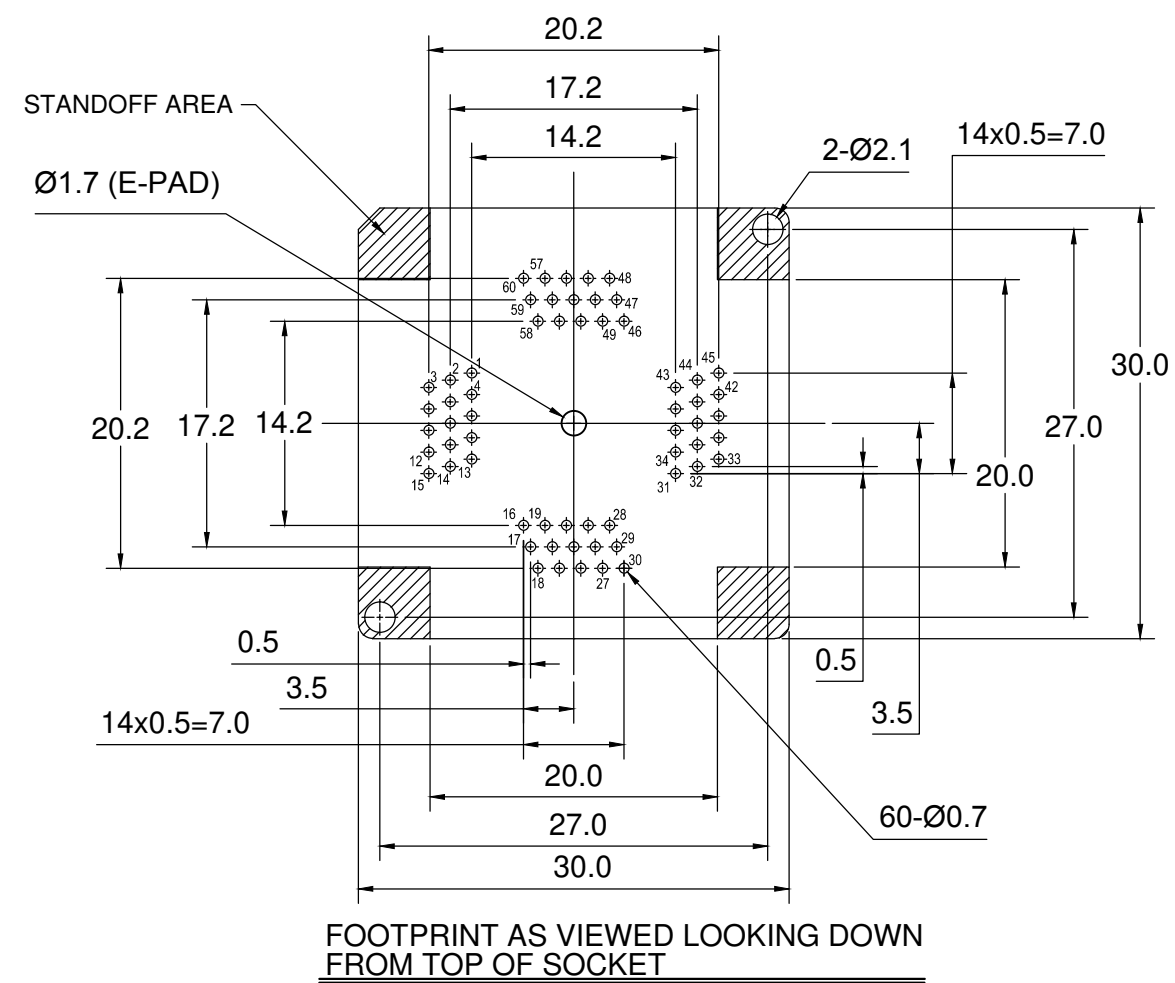
2. SEE THE REGULATORY INFORMATION APPENDIX (RIA) IN THE "RoHS COMPLIANCE" SECTION WWW.3MCONNECTOR.COM FOR COMPLIANCE INFORMATION (RIA E1 & C1 APPLY).

3. FOR PRODUCT SPECIFICATIONS AND WARRANTY INFORMATION SEE:

WWW.3MCONNECTOR.COM PN 260-5204-01

DESIGN REFERENCE		NEXT ASSEMBLY		A	37213	INITIAL RELEASE	ARM	
DISTRIBUTION CODES		TOLERANCES EXCEPT AS NOTED		REV	ECO	ISSUE DATE AND DESCRIPTION	DRFT	CHKD
DIVISION		INCHES		DRFT		DATE	MFG	DATE
DO NOT SCALE DRAWING		MILLIMETERS		CHKD		DATE	APPVL	DATE
SCALE 5/1		THIRD ANGLE PROJECTION		3M Center St. Paul, MN 55144 © 3M COPYRIGHT 2012 This document is the copyrighted property of the 3M Company and may not be reproduced without 3M written permission or used for other than 3M authorized purposes.				
INTERPRET PER ASME Y14.5 - 1994		CAGE NUMBER		QFN TEST SOCKET, 0.5mm 60 pos, ODD ROW, 7x7 PKG WITH TP				
MAX SURFACE ROUGHNESS 125		DRAWING NO.		C 81 78-5100-2474-4				
<input type="checkbox"/> ALL SURFACES <input checked="" type="checkbox"/> MARKED ONLY		MODEL		TEXTTOOL - QFN				
ANGLES ± 1°		DET. LISTS		<input type="checkbox"/> YES <input checked="" type="checkbox"/> NO				
		SHT		1 OF 2				

3M™ TEXTTOOL™ OPEN-TOP SOCKETS FOR QFN APPLICATIONS



DESIGN REFERENCE	NEXT ASSEMBLY	REV	ECO	ISSUE DATE AND DESCRIPTION	DRFT	CHKD
DISTRIBUTION CODES		DRFT		DATE	MFG	DATE
		CHKD		DATE	APPVL	DATE
DIVISION	DIVISION CODE	3M 3M Center St. Paul, MN 55144		© 3M COPYRIGHT 2012 This document is the copyrighted property of the 3M Company and may not be reproduced without 3M written permission or used for other than 3M authorized purposes.		
DO NOT SCALE DRAWING	SCALE 5 1	TOLERANCES EXCEPT AS NOTED		TITLE QFN TEST SOCKET, 0.5mm 60 pos, ODD ROW, 7x7 PKG WITH TP		
THIRD ANGLE PROJECTION	INTERPRET PER ASME Y14.5 - 1994	INCHES .0 ± .1 .00 ± .02 .000 ± .005 .0000 ± .0002		CAGE NUMBER C		
MAX SURFACE ROUGHNESS 125 <input checked="" type="checkbox"/> ALL SURFACES <input checked="" type="checkbox"/> MARKED ONLY		MILLIMETERS 0 ± .1 .0 ± .005 .000 ± .0002		DRAWING NO. 78-5100-2474-4		REV. A
		ANGLES ± 1°		MODEL TEXTTOOL - QFN		
		DET. LISTS <input type="checkbox"/> YES <input checked="" type="checkbox"/> NO		SHT 2 OF 2		