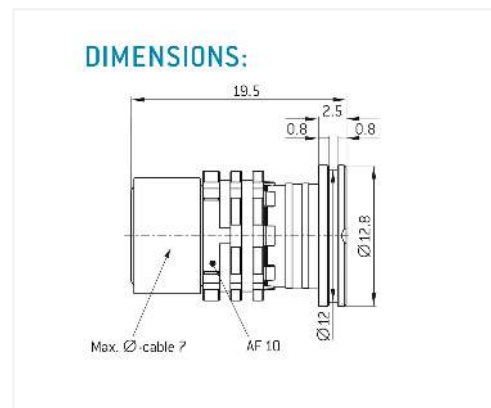
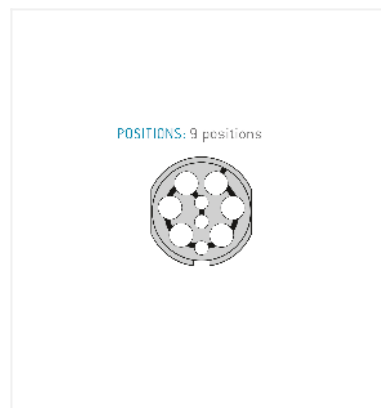
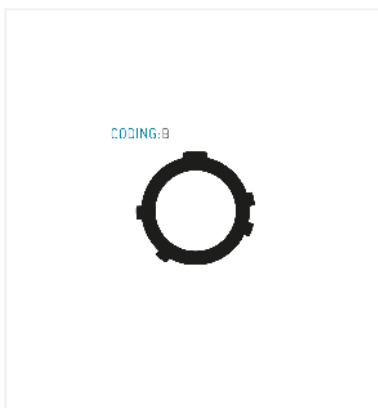


General information

Part number	K10WBM-P09WMM0-0000
Termination	solder
Size	0
Locking principle	break
Coding	b_key_amc
Cable Diameter	cable_amchd_0
Cable outlet	overmolding



Contact insert description

Number of contacts	9
Contact type	sockets
Contact diameter	3_03_6_07mm
Insulator material	peek
Wire cross section	22_awg_28_awg
Termination	solder
Data transmission	usb_2_power

reverse_gender_on_request

Connection diagram

con_usb_2_power

Technical information

Nominal current single contact	1_5_a	iec_60512_5_2
Test voltage	075_kv_dc	eia_364_20f

safety_text

Mechanical and environmental data

Degree of protection*	ip6k9k
-----------------------	--------

Operating temperature	51_125_c
-----------------------	----------

Mating cycles	5000
---------------	------

mated

Material and surface treatments

Housing	ruthenium
---------	-----------

Contact	cu_alloy_gold
---------	---------------

data_text

safety_text_2

data_text

ul_text

illustrative_text