

**SAW Filter 918.60MHz**  
**Part No: MP05039**

**Model: TA1471A**  
**Rev No: 1**

**A. MAXIMUM RATING:**

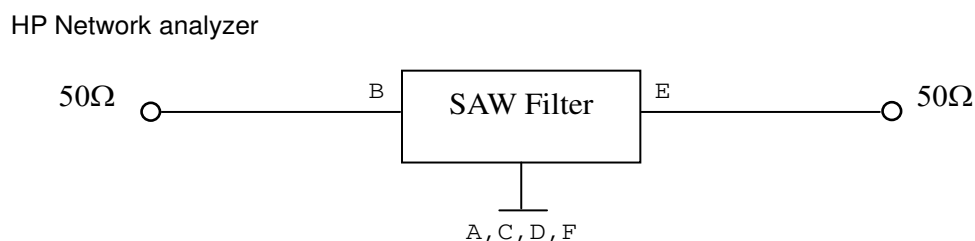
**Electrostatic Sensitive Device (ESD)**

1. Input Power Level: 10dBm
2. DC Voltage: 5V
3. Operating Temperature: 0°C to +80°C
4. Storage Temperature: -30°C to +85°C

**B. ELECTRICAL CHARACTERISTICS:**

Item	Unit	Min.	Typ.	Max.
Center frequency Fc	MHz	-	918.6	-
Insertion Loss (916.8~920.4 MHz) IL	dB	-	4.2	7
Amplitude Ripple (916.8 ~ 920.4MHz)	dB	-	0.7	4.5
Attenuation (Reference level from 0dB)				
715 ~ 900MHz	dB	15	47	-
900 ~ 915MHz	dB	2.5	6	-
928 ~ 1000MHz	dB	5	20	-
1000 ~ 1500MHz	dB	15	41	-
Temperature Coefficient of Frequency	ppm/°C	-	-36	-

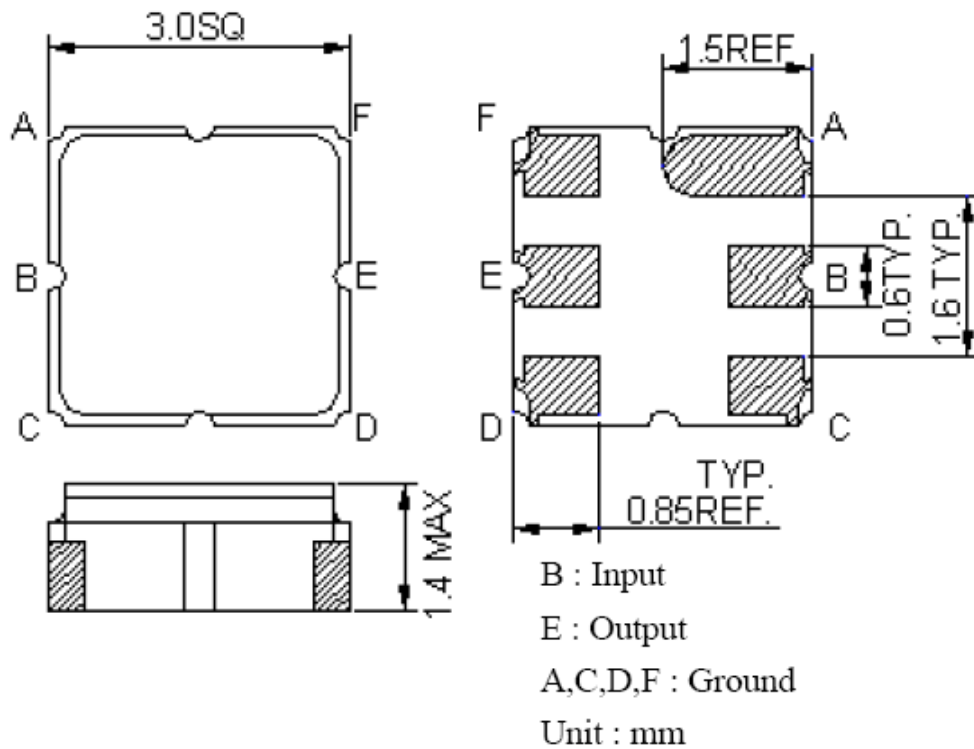
**C. MEASUREMENT CIRCUIT:**



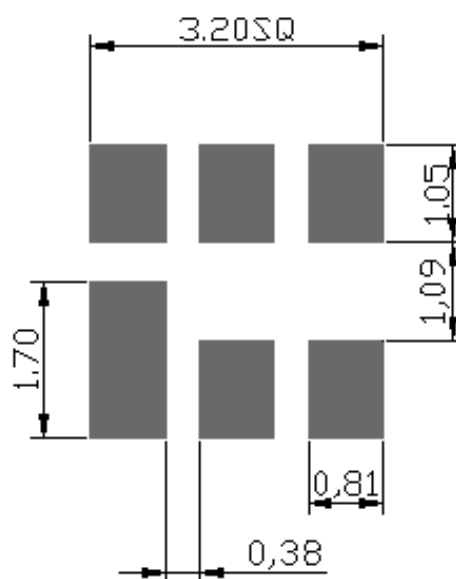
**SAW Filter 918.60MHz**  
**Part No: MP05039**

**Model: TA1471A**  
**Rev No: 1**

**D. OUTLINE DRAWING:**



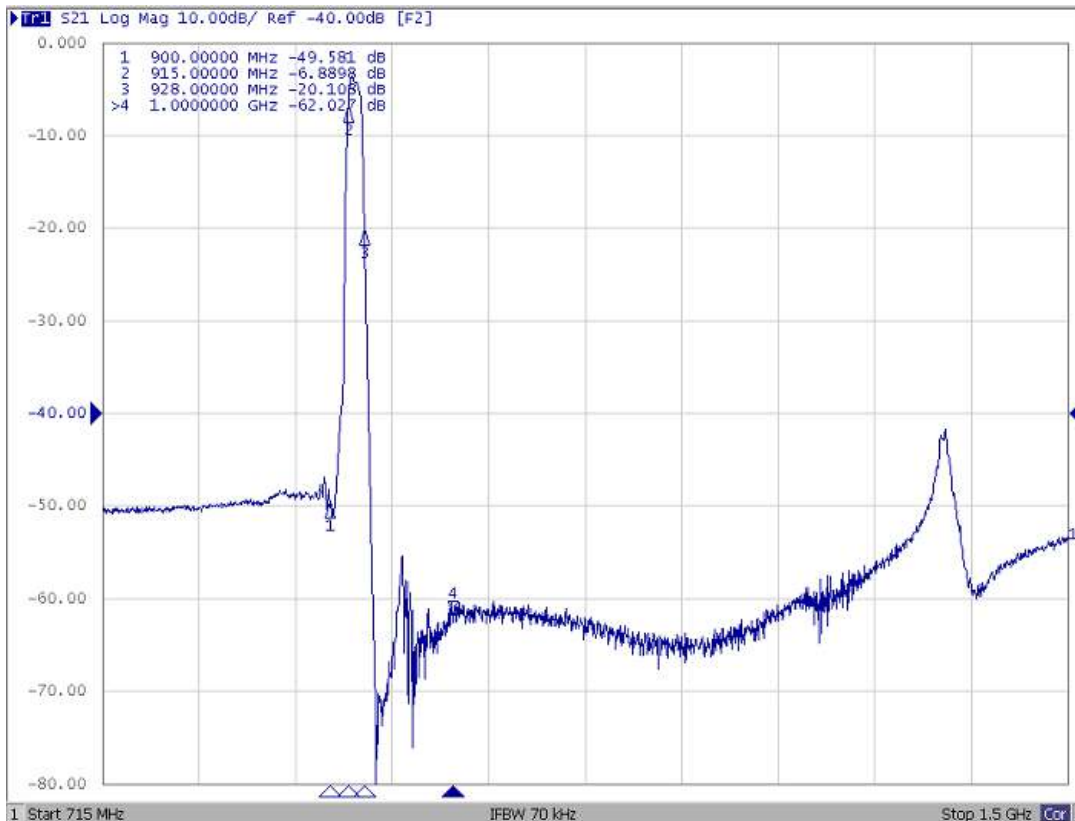
**E. PCB FOOTPRINT:**



**SAW Filter 918.60MHz**  
**Part No: MP05039**

**Model: TA1471A**  
**Rev No: 1**

**F. FREQUENCY CHARACTERISTICS:**

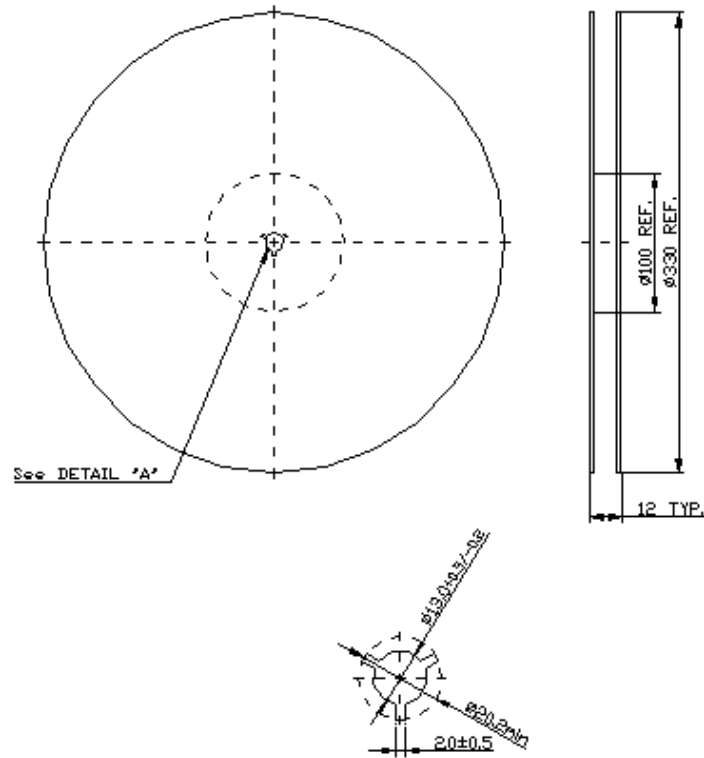


**SAW Filter 918.60MHz**  
**Part No: MP05039**

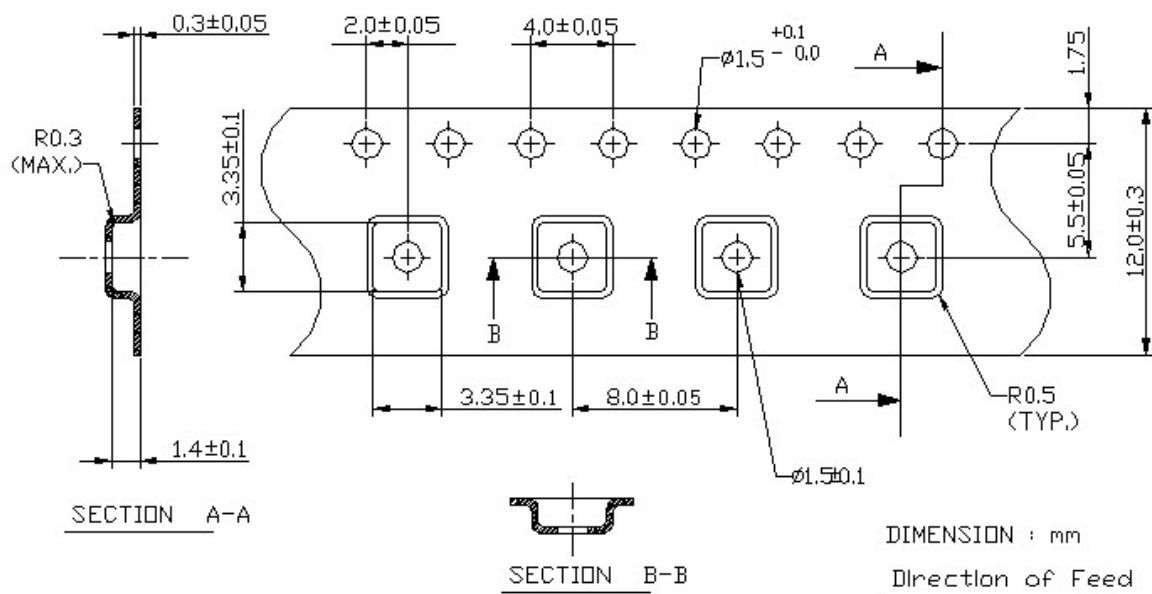
**Model: TA1471A**  
**Rev No: 1**

**G. PACKING:**

1. Reel Dimension



2. Tape Dimension



**SAW Filter 918.60MHz**  
**Part No: MP05039**

**Model: TA1471A**  
**Rev No: 1**

**H. RECOMMENDED REFLOW PROFILE:**

