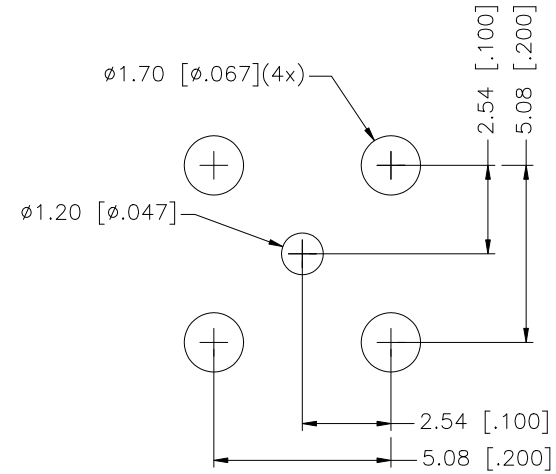
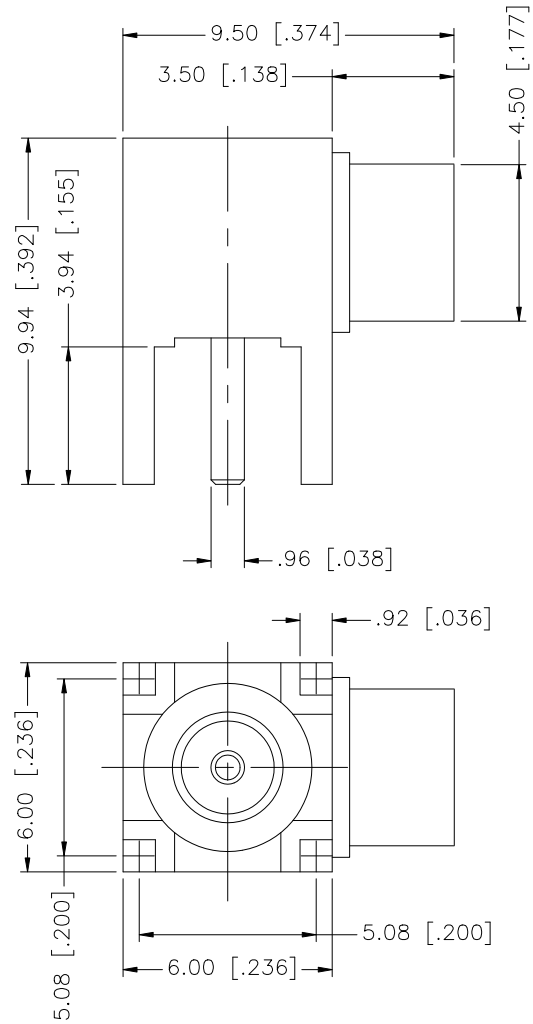


REV.	DATE	DESCRIPTION
A	02/12/98	ADD LEG LENGTH TO TITLE
B	07/16/07	UPDATE DRAWING FORMAT



PCB MOUNTING HOLES

8				
7				
6				
5				
4				
3	CONTACT PIN	BER. COPPER	GOLD	1
2	INSULATOR	TEFLON	NATURAL	1
1	BODY	BRASS	GOLD	1
DESCRIPTION	MATERIAL	FINISH	QTY	

UNLESS OTHERWISE SPECIFIED DIMENSIONS ARE IN MILLIMETERS. DIMENSIONS IN [ ] ARE IN INCHES AND FOR CUSTOMER REFERENCE ONLY.

UNLESS OTHERWISE SPECIFIED TOLERANCES FOR MILLIMETERS ARE:

0.5 - 8mm  $\pm$  0.20mm  
8 - 30mm  $\pm$  0.40mm  
30 - 120mm  $\pm$  0.50mm

UNLESS OTHERWISE SPECIFIED TOLERANCES FOR INCHES ARE:

.020 - .315  $\pm$  0.007"  
.315 - 1.180  $\pm$  0.015"  
1.180 - 4.724  $\pm$  0.020"

DO NOT SCALE DRAWING

APPROVALS	DATE
DRAWN G.R.S.	07/16/07
CHECKED	
ISSUED	
SHEET 1 OF 1	
CAD FILE	C:/252/252129.DWG

**Amphenol Connex**

PART DESCRIPTION  
**MCX R/A P.C. BOARD RECEPTACLE  
(3.94 LEGS - GOLD)**

PART NO.  
**252129**

DWG. NO.	252129.DWG	REV.	B	SIZE	A	SCALE	NA
----------	------------	------	---	------	---	-------	----