

REV. Status

REVISION -
8-12-04 MP

REVISION A
ADDED "C"
CLASS TO
MARKING NOTE.
ADDED RoHS
05/16/06 MP

REVISION B
UPDATED
DESCRIPTION-
REMOVED TUV.
04/27/10 MP

REVISION C
UPDATED
SAFETY
05/18/10 MP

TELECOMMUNICATION TRANSFORMER FOR DC Bias ("WET") APPLICATION
DESIGNED TO OPERATE FROM
-20dBm TO +4dBm WITH 0 TO 100 mADC IN PRIMARY AND REFLECT A PRIMARY
SOURCE IMPEDANCE OF APPROX. 600Ω WITH 470Ω TO 600Ω LOAD ON SECONDARY:

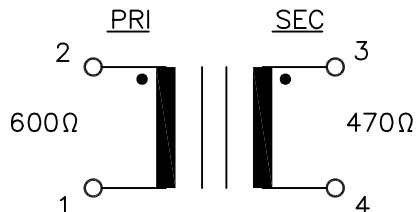
A. Electrical Specifications (@ 25 °C)

1. Pri Source Impedance; 600Ω
2. Sec Load Impedance; 470Ω
3. Operating Level; -40dBm to +4dBm
4. Insertion Loss;
2.5dBMAX @ 1KHz, 0dBm, DC 30mA
5. Frequency Response (relative to 1 KHz)
±4.0dB 300Hz to 600Hz @ 0dBm
±1.0dB 600Hz to 3.5KHz @ 0dBm
6. Longitudinal Balance;
60dB MIN @ 60Hz to 1KHz
40dB MIN @ 1KHz to 4KHz
7. DC Resistance;
(1-2) = 92Ω ±10%
(3-4) = 120Ω ±10%
8. Turns Ratio; (1-2) : (4-3) = 1 : 1.00 ±2%
9. Dielectric Strength;
1875Vrms 1 second @ Pri to Sec
10. Total Harmonic Distortion:
0.5% MAX @ 300Hz to 3.5KHz, 0dBm, DC0mA

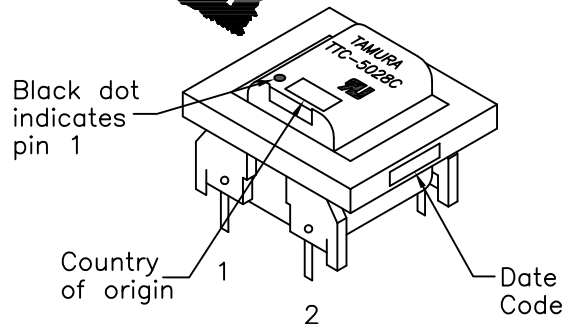
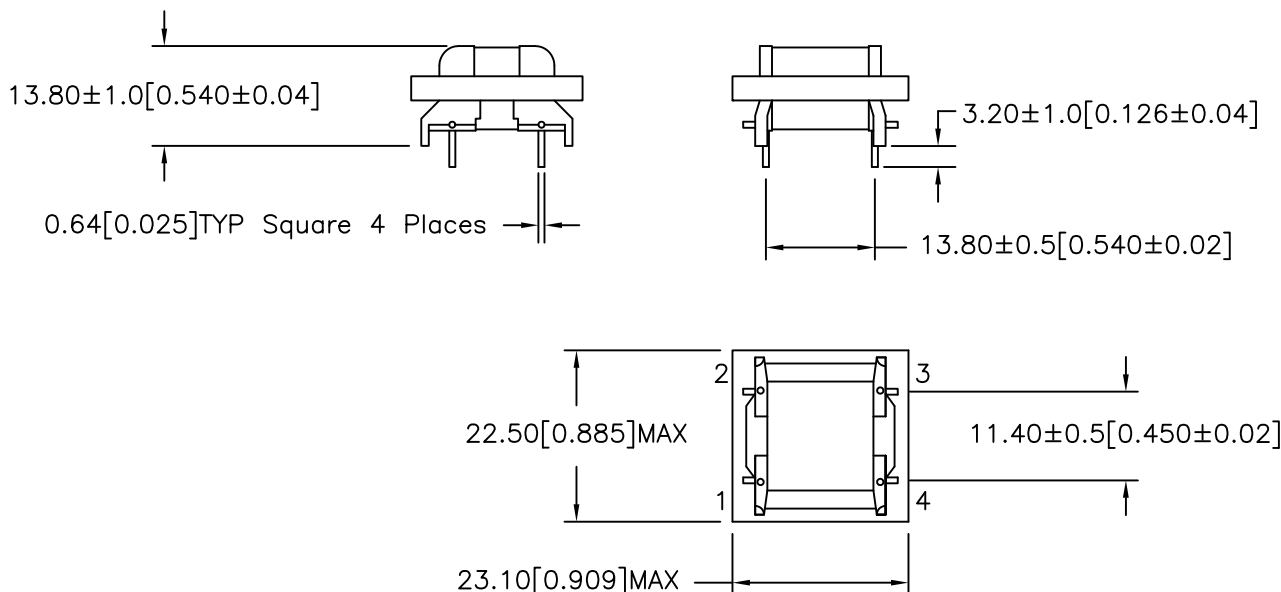
B. Marking; TTC-5028C, TAMURA, date code and country of origin
"C" designates UL approved family classification.

C. Safety; UL1950 3rd Edition, UL FILE E208555, CSA C22.2 No.950-95.

D. Schematic Diagram;



E. Mechanical Specifications;



MODEL NUMBER

TTC-5028

PREPARED BY:

C. POPPE

ENGINEER:

M. PITCHAI

SAFETY ENGINEER

B. OCONNELL

APPROVED:

P. BRUNE

DRAWING CONTROL NO.

P-A1-13246

REV

C

MODEL DESCRIPTION
TELECOMMUNICATION COUPLING
TRANSFORMER

TAMURA CORPORATION OF AMERICA
1040 SOUTH ANDREASEN DRIVE, #100 ESCONDIDO, CA. 92029
(951) 699-1270 FAX 7607400536

MODEL SPECIFICATION

TTC-5028

DIM: mm[in] SCL: NONE SH: 1 OF 1

PROPRIETARY NOTICE: THIS DRAWING PRINT OR DOCUMENT AND SUBJECT MATTER DISCLOSED HEREIN ARE PROPRIETARY ITEMS TO WHICH TAMURA
RETAINS THE EXCLUSIVE RIGHT OF DISSEMINATION, REPRODUCTION, MANUFACTURE AND SALE. THIS DRAWING, PRINT OR DOCUMENT IS SUBMITTED IN
CONFIDENCE FOR CONSIDERATION BY THE RECIPIENT ALONE UNLESS PERMISSION FOR FURTHER DISCLOSURE IS EXPRESSLY GRANTED IN WRITING.