

VIEW ON MATING SIDE

♠	B	B	B	B	B	B	B	B	B	B	B	B	B	B	B	B	B	B	B	B	B
♠	A	A	A	A	A	A	A	A	A	A	A	A	A	A	A	A	A	A	A	A	A

8 7 6 5 4 3 2 1 ♠ 1 2 3 4 5 6 7 8 ♠

- A = 32 CONTACTS L=2,8
 - B = 32 CONTACTS L=2,8
-
- S = 64 TOTAL NUMBER OF CONTACTS

Marking	Standard
Performance level	G2/0 = Contact area level2 / Termination tin
Flux proof	no
Fixing clip	yes
Dimensions	SDA-85050-0001 sht.1
Technical Data	PS-85052-0001

B G2/0 bl-32

A G2/0 al-32

Contact symbol

Perform. level

Contact position number

ECN 2469	REVISIONS	FOR PREVIOUS REVISIONS SEE MRI LIST
first release		
▶	LTR	

UNLESS OTHERWISE SPECIFIED TOLERANCES: ANGULAR ±2°

INCH METRIC

3 PLACE ± .	±
2 PLACE ± .	±
1 PLACE ± .	±

DRAFT WHERE APPLICABLE MUST REMAIN WITHIN DIMENSIONS

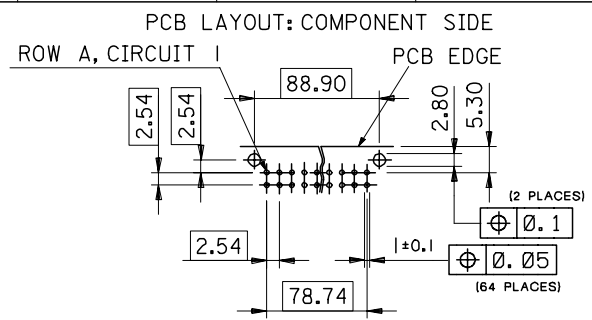
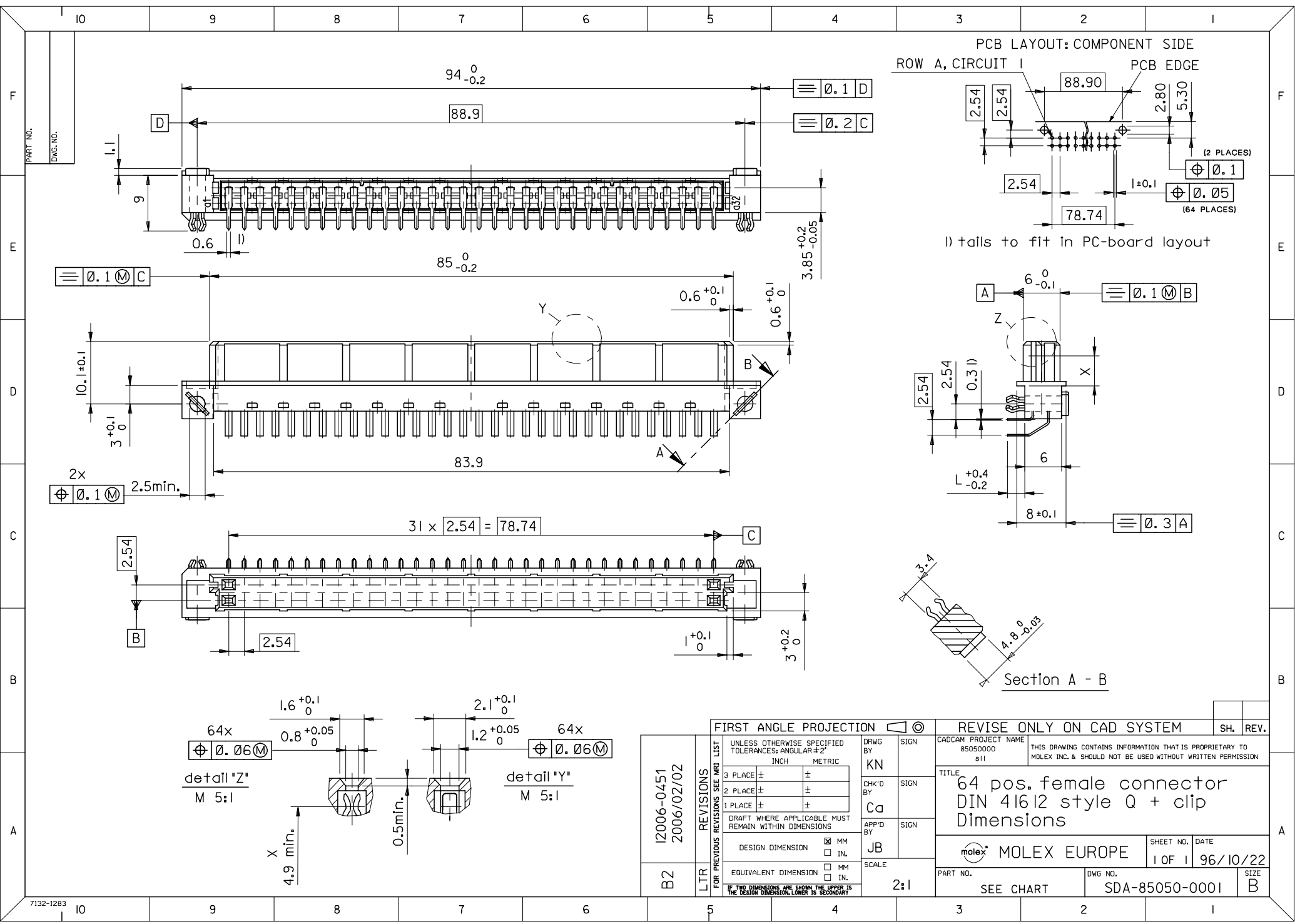
DESIGN DIMENSION MM IN.

EQUIVALENT DIMENSION MM IN.

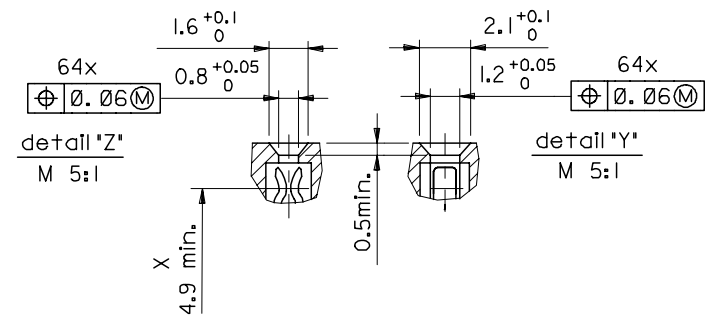
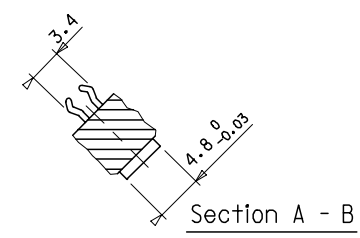
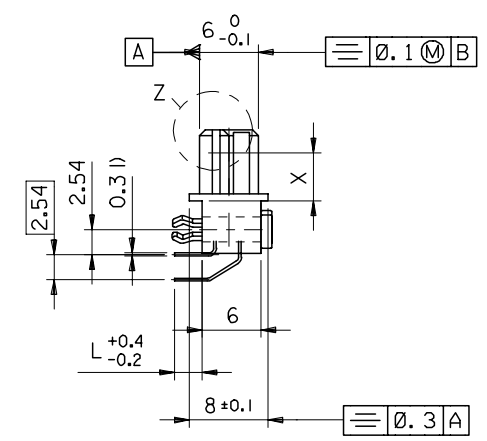
IF TWO DIMENSIONS ARE SHOWN, THE UPPER IS THE DESIGN DIMENSION, LOWER IS SECONDARY

DRWG BY	KN	SIGN	
CHK'D BY	Cc	SIGN	
APP'D BY	JB	SIGN	
SCALE			

REVISE ONLY ON CAD SYSTEM	SH. REV. 1 OF 1	THIS DRAWING CONTAINS INFORMATION THAT IS PROPRIETARY TO MOLEX INC. & SHOULD NOT BE USED WITHOUT WRITTEN PERMISSION
		CAD/CAM PROJECT NAME
		85050001 S11
TITLE		
64 pos. female connector acc. DIN 41612 style Q contacts arrangement		
MOLEX® EUROPE		SHEET NO. DATE
PART NO. 85050-0115		DWG NO. SD-85050-0115
		SIZE A



l) tails to fit in PC-board layout



FIRST ANGLE PROJECTION

UNLESS OTHERWISE SPECIFIED TOLERANCES: ANGULAR $\pm 2^\circ$	INCH	METRIC
3 PLACE \pm	\pm	\pm
2 PLACE \pm	\pm	\pm
1 PLACE \pm	\pm	\pm

DRAFT WHERE APPLICABLE MUST REMAIN WITHIN DIMENSIONS

DESIGN DIMENSION	<input checked="" type="checkbox"/> MM
EQUIVALENT DIMENSION	<input type="checkbox"/> MM
	<input type="checkbox"/> IN.

IF TWO DIMENSIONS ARE SHOWN THE UPPER IS THE DESIGN DIMENSION, LOWER IS SECONDARY

REVISE ONLY ON CAD SYSTEM		SH.	REV.
CADCAM PROJECT NAME 85050000 s11	THIS DRAWING CONTAINS INFORMATION THAT IS PROPRIETARY TO MOLEX INC. & SHOULD NOT BE USED WITHOUT WRITTEN PERMISSION		
TITLE 64 pos. female connector DIN 41612 style Q + clip Dimensions			
molex MOLEX EUROPE		SHEET NO. 1 OF 1	DATE 96/10/22
PART NO. SEE CHART	DWG NO. SDA-85050-0001	SIZE B	

12006-0451	REVISIONS FOR PREVIOUS REVISIONS SEE MRI LIST
2006/02/02	
B2	LTR