

TTC-6P-T3-24DC-UT-I - Type 3 surge protection device



1027584

<https://www.phoenixcontact.com/us/products/1027584>

Please be informed that the data shown in this PDF document is generated from our online catalog. Please find the complete data in the user documentation. Our general terms of use for downloads are valid.



Type 3 surge protection, consisting of protective plug and base element, with integrated status indicator for 24 V DC power supplies

Your advantages

- Space-saving and cost-saving with a narrow overall width of just 6 mm
- Continuous monitoring of protective devices, plus mechanical status indicator with optional remote signaling
- Finding the right product for all possible requirements in MCR applications is easy, thanks to the complete range of products with customized features
- Easy testing and documentation with CHECKMASTER 2 with pluggable protective modules
- The signal is not influenced during maintenance work, thanks to the impedance-neutral insertion and removal of protective plugs

Commercial data

Item number	1027584
Packing unit	1 pc
Minimum order quantity	1 pc
Sales key	CL01
Product key	CL14D1
Catalog page	Page 85 (C-4-2019)
GTIN	4055626522227
Weight per piece (including packing)	54.1 g
Weight per piece (excluding packing)	37.4 g
Customs tariff number	85363030
Country of origin	DE

TTC-6P-T3-24DC-UT-I - Type 3 surge protection device



1027584

<https://www.phoenixcontact.com/us/products/1027584>

Technical data

Notes

General

Note	
	CBM:
	2905743 CBM E4 24DC/0.5-10A NO-R
	2905744 CBM E8 24DC/0.5-10A NO-R
	CBMC:
	2906032 CBMC E4 24DC/1-10A NO
	2908716 CBMC E4 24DC/1-10A NO-C
	2910411 CBMC E4 24DC/1-10A IOL
	PTCB:
	2908262 PTCB E1 24DC/1-8A NO

Product properties

IEC power supply system	DC
Type	DIN rail module, two-section, divisible
Product type	Device protection
Product family	TERMITRAB complete
Number of positions	2
Surge protection fault message	optical

Insulation characteristics

Overvoltage category	III
Pollution degree	2
IEC test classification	III
	T3
EN type	T3
Number of ports	One

Connection data

Connection method	Screw connection
Screw thread	M3
Tightening torque	0.5 Nm ... 0.6 Nm
Conductor cross section flexible	0.2 mm ² ... 2.5 mm ²
Conductor cross section rigid	0.2 mm ² ... 4 mm ²
Conductor cross section AWG	24 ... 12

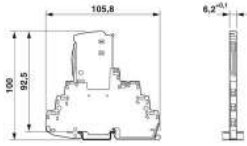
Dimensions

TTC-6P-T3-24DC-UT-I - Type 3 surge protection device



1027584

<https://www.phoenixcontact.com/us/products/1027584>

Dimensional drawing	
Width	6.2 mm +0.1 mm
Height	105.8 mm
Depth	100 mm (incl. DIN rail 7.5 mm)

Material specifications

Flammability rating according to UL 94	V-0
CTI value of material	600
Insulating material	PBT
Housing material	PBT

Protective circuit

Mode of protection	(DC+) - (DC-)
	(DC+/DC-) - PE
Direction of action	1L-N & N-PE
Nominal voltage U_N	24 V DC
Maximum continuous voltage U_C	30 V DC
Rated load current I_L	6 A (30 °C)
Residual current I_{PE}	$\leq 5 \mu\text{A}$
Nominal discharge current I_n (8/20) μs	1 kA
Combination wave U_{OC}	2 kV (2 Ω)
	2 kV (2 Ω)
Voltage protection level U_p (DC+) - (DC-)	$\leq 0.09 \text{ kV}$ ($U_{oc} = 2 \text{ kV}$)
	$\leq 0.2 \text{ kV}$ ($U_{oc} = 6 \text{ kV}$)
Voltage protection level U_p (DC+/DC-) - PE	$\leq 0.7 \text{ kV}$
Short-circuit current rating I_{SCCR}	60 A DC (without additional backup fuse)
	220 A DC
Max. backup fuse with branch wiring	6 A (gG)
	10 A (see the note: CBM, CBMC, PTCB, CB E1)

Environmental and real-life conditions

Ambient conditions

Degree of protection	IP20
Ambient temperature (operation)	-40 °C ... 80 °C
Ambient temperature (storage/transport)	-40 °C ... 80 °C
Altitude	$\leq 6000 \text{ m}$ (amsl)
Permissible humidity (operation)	5 % ... 95 %
Shock (operation)	30g (Half-sine / 11 ms / $3x \pm X, \pm Y, \pm Z$)
Vibration (operation)	5g (10 ... 150 Hz/20 cycles/axis/X, Y, Z)

TTC-6P-T3-24DC-UT-I - Type 3 surge protection device



1027584

<https://www.phoenixcontact.com/us/products/1027584>

Standards and regulations

Standards/specifications	IEC 61643-11
Note	2011

EN 61643-11

Standards/specifications	EN 61643-11
Note	2012

Mounting

Mounting type	DIN rail: TH 35 - 7.5 mm
---------------	--------------------------

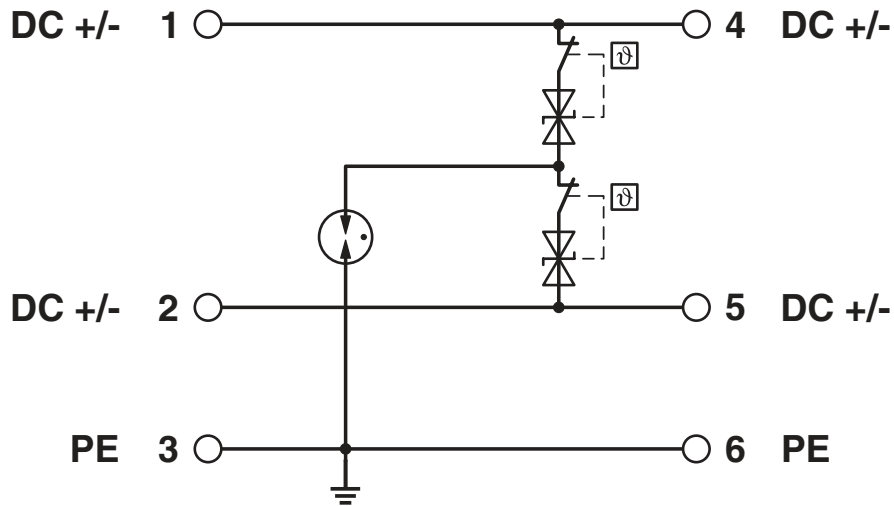
TTC-6P-T3-24DC-UT-I - Type 3 surge protection device

1027584

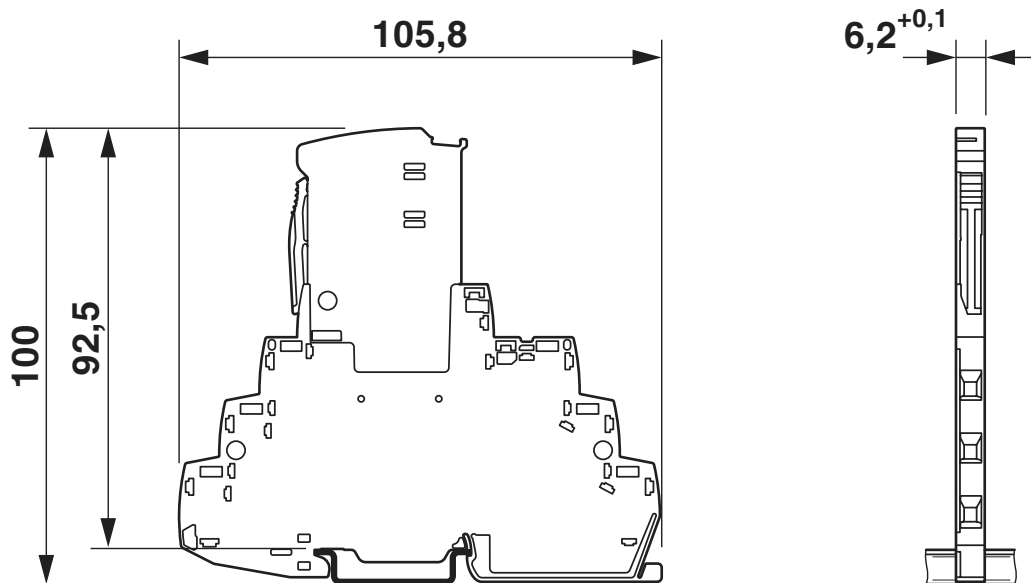
<https://www.phoenixcontact.com/us/products/1027584>

Drawings

Circuit diagram



Dimensional drawing



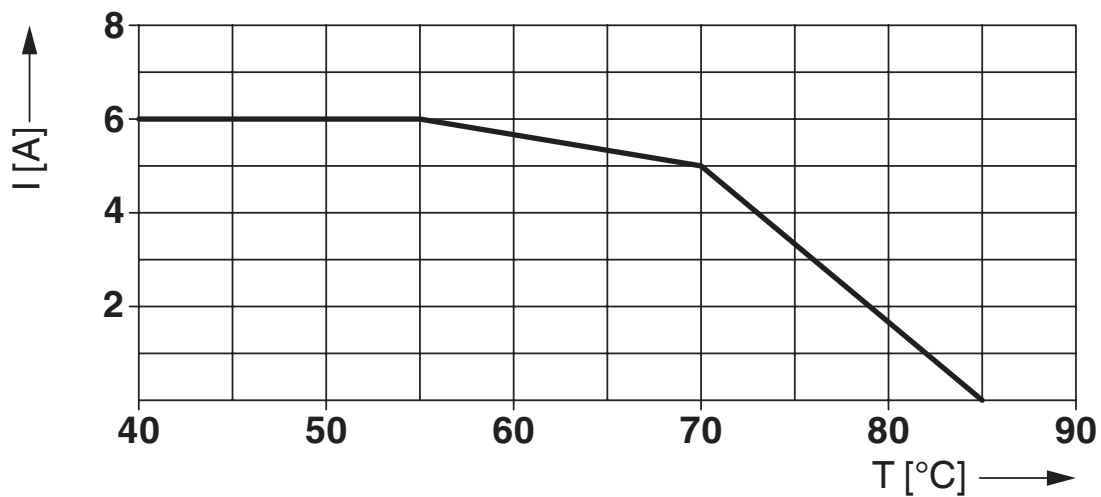
TTC-6P-T3-24DC-UT-I - Type 3 surge protection device



1027584

<https://www.phoenixcontact.com/us/products/1027584>

Diagram



TTC-6P-T3-24DC-UT-I - Type 3 surge protection device



1027584

<https://www.phoenixcontact.com/us/products/1027584>

Approvals

To download certificates, visit the product detail page: <https://www.phoenixcontact.com/us/products/1027584>



UL Listed

Approval ID: FILE E 138168



DNV GL

Approval ID: TAE000027G

UAE-RoHS

Approval ID: 22-06-16783



cUL Listed

Approval ID: FILE E 333250



UL Listed

Approval ID: FILE E 333250

cULus Listed

TTC-6P-T3-24DC-UT-I - Type 3 surge protection device



1027584

<https://www.phoenixcontact.com/us/products/1027584>

Classifications

ECLASS

ECLASS-11.0	27130806
ECLASS-13.0	27171203

ETIM

ETIM 8.0	EC000942
----------	----------

UNSPSC

UNSPSC 21.0	39121600
-------------	----------

TTC-6P-T3-24DC-UT-I - Type 3 surge protection device



1027584

<https://www.phoenixcontact.com/us/products/1027584>

Environmental product compliance

REACH SVHC	Lead 7439-92-1
China RoHS	Environmentally Friendly Use Period = 50 years
	For information on hazardous substances, refer to the manufacturer's declaration available under "Downloads"

TTC-6P-T3-24DC-UT-I - Type 3 surge protection device



1027584

<https://www.phoenixcontact.com/us/products/1027584>

Accessories

ZBF 6 CUS - Zack Marker strip, flat

0825027

<https://www.phoenixcontact.com/us/products/0825027>



Zack Marker strip, flat, Strip, can be ordered: Strip, white, labeled according to customer specifications, mounting type: snap into flat marker groove, for terminal block width: 6.2 mm, lettering field size: 5.15 x 6.15 mm, Number of individual labels: 10

ZBF 6:UNBEDRUCKT - Zack Marker strip, flat

0808710

<https://www.phoenixcontact.com/us/products/0808710>



Zack Marker strip, flat, Strip, white, unlabeled, can be labeled with: PLOTMARK, CMS-P1-PLOTTER, mounting type: snapped, for terminal block width: 6.2 mm, lettering field size: 5.15 x 6.15 mm, Number of individual labels: 10

TTC-6P-T3-24DC-UT-I - Type 3 surge protection device



1027584

<https://www.phoenixcontact.com/us/products/1027584>

ZBF 6/WH-100:UNBEDRUCKT - Zack Marker strip, flat

0808736

<https://www.phoenixcontact.com/us/products/0808736>



Zack Marker strip, flat, Strip, white, unlabeled, can be labeled with: PLOTMARK, CMS-P1-PLOTTER, mounting type: snapped, for terminal block width: 6.2 mm, lettering field size: 5.15 x 6.15 mm, Number of individual labels: 1000

ZBF 6,QR:FORTL.ZAHLEN - Zack Marker strip, flat

0808765

<https://www.phoenixcontact.com/us/products/0808765>



Zack Marker strip, flat, Strip, white, labeled, Printed vertically: consecutive numbers 1 ... 10, 11 ... 20, etc. up to 91 ... 100, mounting type: snapped, for terminal block width: 6.2 mm, lettering field size: 5.15 x 6.15 mm, Number of individual labels: 10

TTC-6P-T3-24DC-UT-I - Type 3 surge protection device

1027584

<https://www.phoenixcontact.com/us/products/1027584>

CLIPFIX 35-5 - End clamp

3022276

<https://www.phoenixcontact.com/us/products/3022276>



Quick mounting end clamp for NS 35/7,5 DIN rail or NS 35/15 DIN rail, with marking option, with parking option for FBS...5, FBS...6, KSS 5, KSS 6, width: 5.15 mm, color: gray

TTC-6-FMRS-UT - Remote signaling set

2907810

<https://www.phoenixcontact.com/us/products/2907810>



Module set for the optical monitoring and floating remote signaling of adjacent surge protective devices in the TERMITRAB complete or CLIXTRAB product family. Suitable for directly grounded DIN rails.

TTC-6P-T3-24DC-UT-I - Type 3 surge protection device



1027584

<https://www.phoenixcontact.com/us/products/1027584>

SSA 3-6 - Shield connection

2839295

<https://www.phoenixcontact.com/us/products/2839295>

Shield fast connection for 3 ... 6 mm cable diameter. Potential connecting cable: 200 mm, 1 mm², color: black



SSA 5-10 - Shield connection

2839512

<https://www.phoenixcontact.com/us/products/2839512>

Shield fast connection for 5 ... 10 mm cable diameter. Potential connecting cable: 200 mm, 1 mm², color: black



TTC-6P-T3-24DC-UT-I - Type 3 surge protection device



1027584

<https://www.phoenixcontact.com/us/products/1027584>

X-PEN 0,35 - Marker pen

0811228

<https://www.phoenixcontact.com/us/products/0811228>



Marker pen without ink cartridge, for manual labeling of markers, labeling extremely wipe-proof, line thickness 0.35 mm

TTC-6P-T3-24DC-I-P - Type 3 surge protection plug

1027591

<https://www.phoenixcontact.com/us/products/1027591>



Replacement plug for type 3 surge protection from the TERMITRAB complete T3 product series. Nominal voltage 24 V.

Phoenix Contact 2023 © - all rights reserved
<https://www.phoenixcontact.com>

Phoenix Contact USA
586 Fulling Mill Road
Middletown, PA 17057, United States
(+717) 944-1300
info@phoenixcon.com