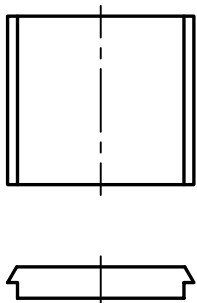
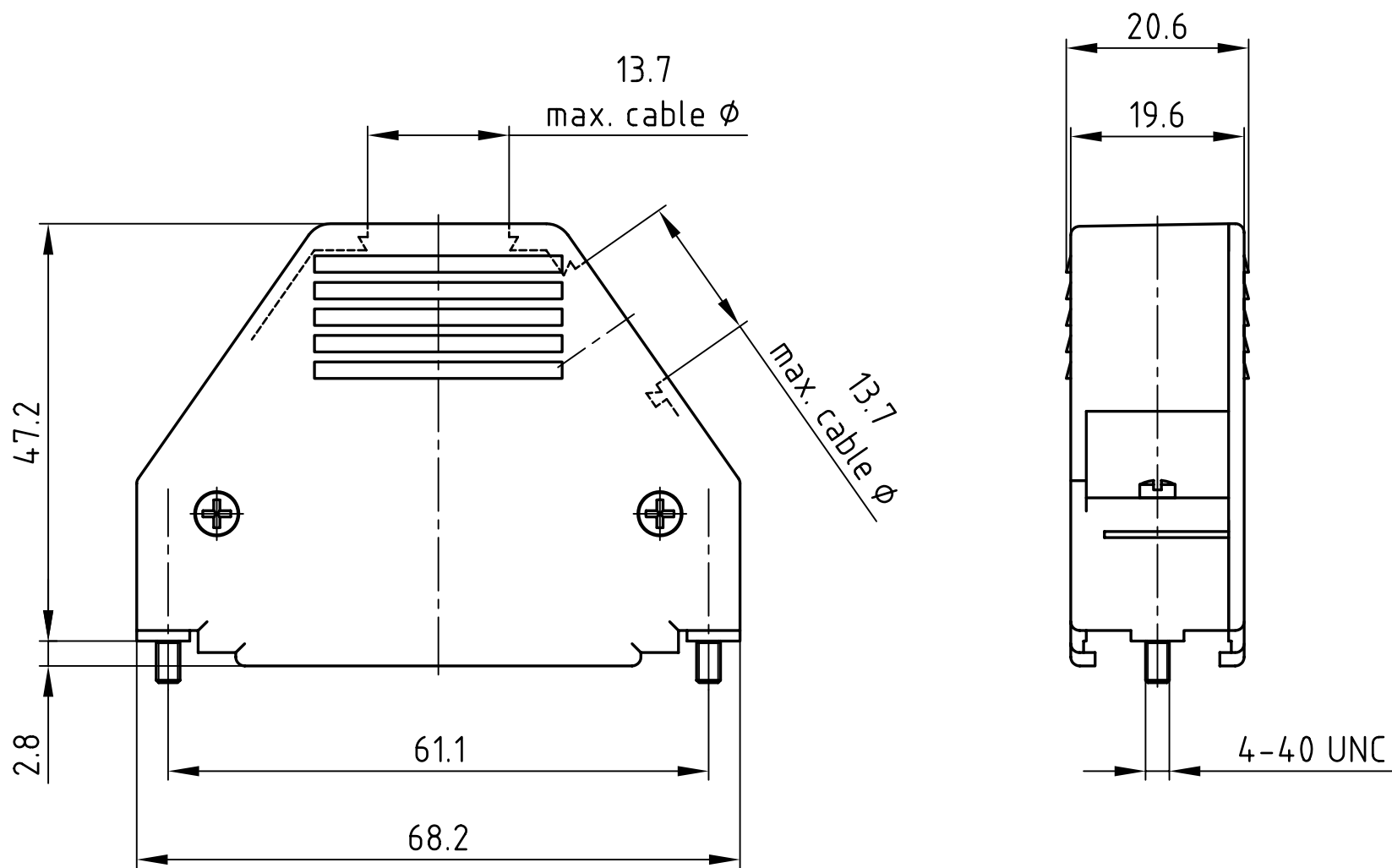
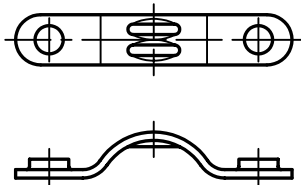


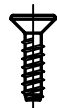
used for: D-SUB



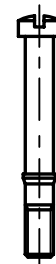
1 x BLIND PLUG



1 x CABLE STRAIN RELIEF



4 x COUNTERSUNK HEAD SCREW



2 x JACKSCREW

NOTES:

1. HOOD + COVER: ABS UL 94 V-0, METALLIZED
2. BLIND PLUG: ABS UL 94 V-0, METALLIZED
3. CABLE STRAIN RELIEF: STEEL; NICKEL PLATED
4. COUNTERSUNK HEAD SCREW: STEEL; NICKEL PLATED
5. JACKSCREW: BRASS; NICKEL PLATED



THIS DRAWING MAY NOT BE COPIED OR REPRODUCED IN ANY WAY, AND MAY NOT BE PASSED ON TO A THIRD PARTY WITHOUT WRITTEN PERMISSION.
 OWNERSHIP AND COPYRIGHT OF CONEC GmbH
 DO NOT ALTER CAD DRAWING BY HAND

rev.	description	date	name	tolerance		
2009		date	name			
drawn		16.02.	Lehmenkühler			
appd.		16.02.	Fischer			
norm						
d-old						
a	Origin			CONEC®		

scale:	1:1	
material:	SEE NOTES	
title:	PLASTIC HOOD	
	50pos.	
	with top and side cable exit / with jack screw	
dwg no:	AutoCAD 2006	DIN-A
	16K1A2451	4
		sh: 1/1
part no:	165X16559X	

4

3

2

1