
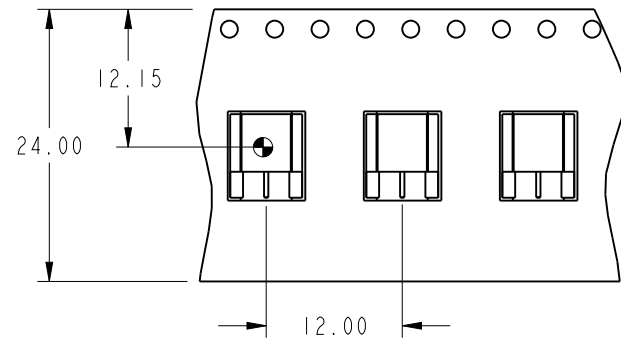
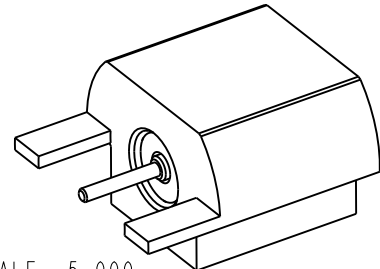
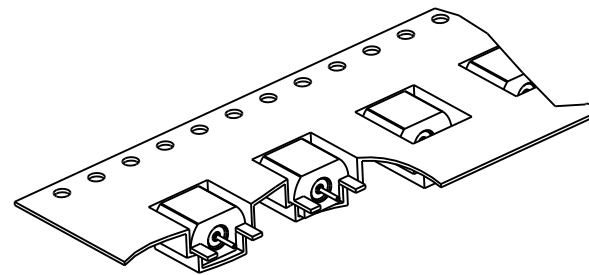


NOTES:

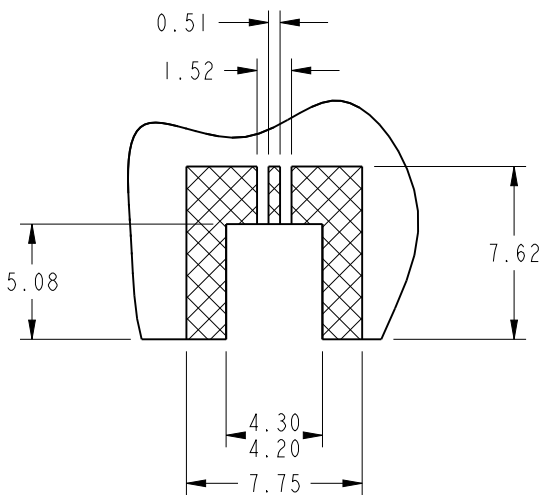
1. MATERIALS AND FINISHES:
 BODY - BERYLLIUM COPPER, GOLD PLATING
 CONTACT - BERYLLIUM COPPER, GOLD PLATING
 INSULATOR - PTFE
2. ELECTRICAL:
 A. IMPEDANCE: 50 OHM
 B. FREQUENCY RANGE: DC - 18 GHz
 C. DIELECTRIC WITHSTANDING VOLTAGE - 500 VRMS MIN
3. MECHANICAL:
 A. TEMPERATURE RANGE: -65° C TO +165° C
 B. DURABILITY: 500 CYCLES MIN.
4.  : THE CENTER OF GRAVITY.
5. PACKAGING:
 A. TAPE AND REEL: 13" REEL, 1000 PCS PER REEL
 B. T&R TO BE MARKED
 "AMPHENOLRF, SMP-MSFD-PCE-1, AND DATE CODE"



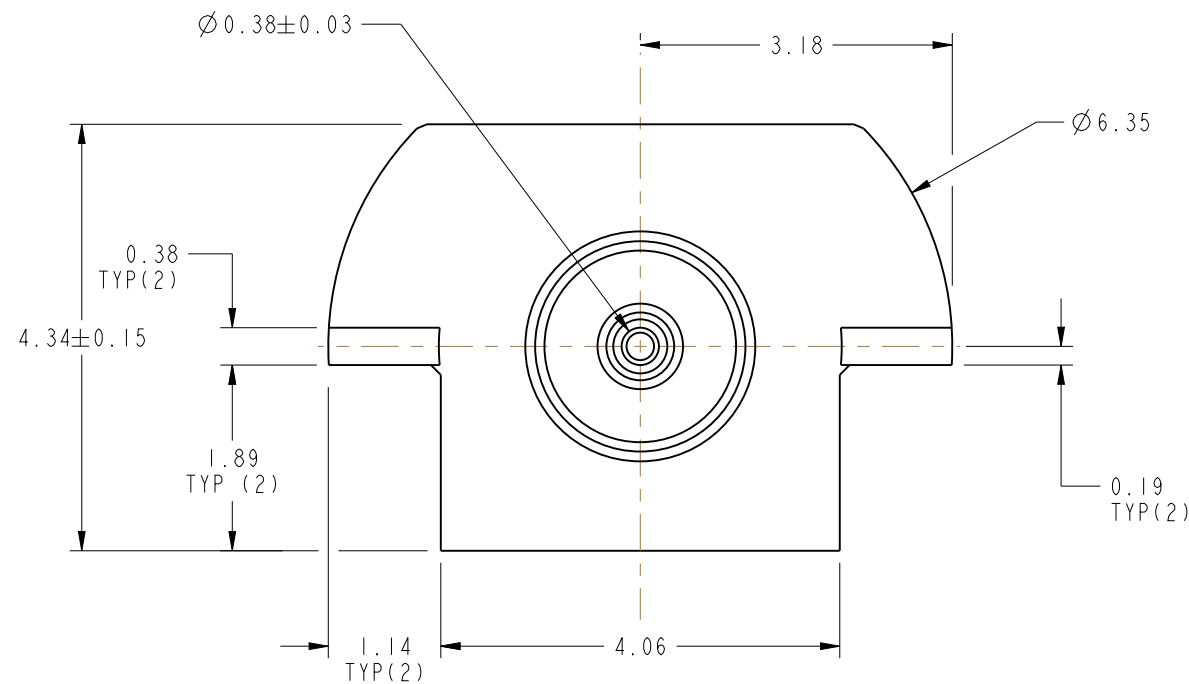
SCALE 1.500



SCALE 5.000



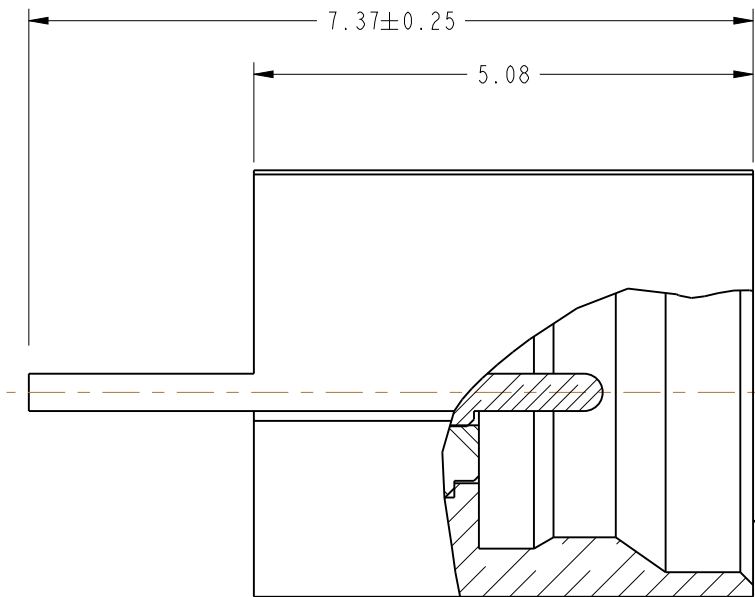
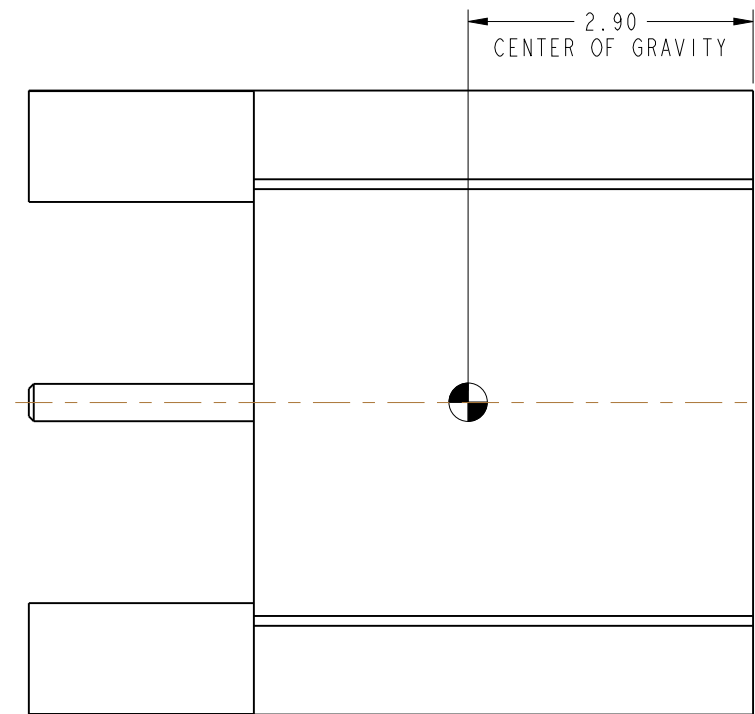
RECOMMENDED PCB CUT OUT AND TRACE



THIRD ANGLE PROJ. 

REVISIONS

REV	DESCRIPTION	DATE	ECO	APPR
A	PROTOTYPE RELEASE	6/29/11	48618	KR



INTERFACE PER MIL-STD-348 SERIES: SMP FULL DETENT

CUSTOMER OUTLINE DRAWING

ALL OTHER SHEETS ARE FOR INTERNAL USE ONLY

UNLESS OTHERWISE SPECIFIED, DIMENSIONS ARE IN METRIC AND TOLERANCES ARE:
 <0.5mm ± 0.05mm 0.5 - 6mm ± 0.1mm 6 - 30mm ± 0.2mm 30 - 120mm ± 0.3mm ANGLES ± 1°

NOTICE - These drawings, specifications, or other data (1) are, and remain the property of Amphenol corp. (2) must be returned upon request; and (3) are confidential and not to be disclosed to any person other than those to whom they are given by Amphenol Corp. the furnishing of these drawings, specifications, or other data by Amphenol Corp., or to any other person to anyone for any purpose is not to be regarded by implication or otherwise in any manner licensing, granting rights to permitting such holder or any other person to manufacture, use or sell any product, process or design, patented or otherwise, that may in any way be related to or disclosed by said drawings, specifications, or other data.

MATERIAL	SEE NOTES
REFERENCE	EAR # 4190.1
CONFIGURATION LEVEL:	In Work
FINISH	

DRAWN	NISCHIT MV	DATE	20-Oct-09
ENGINEER	R.RAJAN	DATE	20-Oct-09
APPROVED	K. CAPOZZI	DATE	6/29/11
CAD FILE			

TITLE		ASSEMBLY, SMP JACK FULL DETENT EDGE MOUNT	
SCALE:	13.0:1.0	SHEET	2 OF 2
DWG SIZE	B	REV	A

Amphenol RF	
www.amphenolrf.com	
DRAWING NO. SMP-MSFD-PCE-1	
ITEM NO. SMP-MSFD-PCE-1	
PART NO. SMP-MSFD-PCE-1	