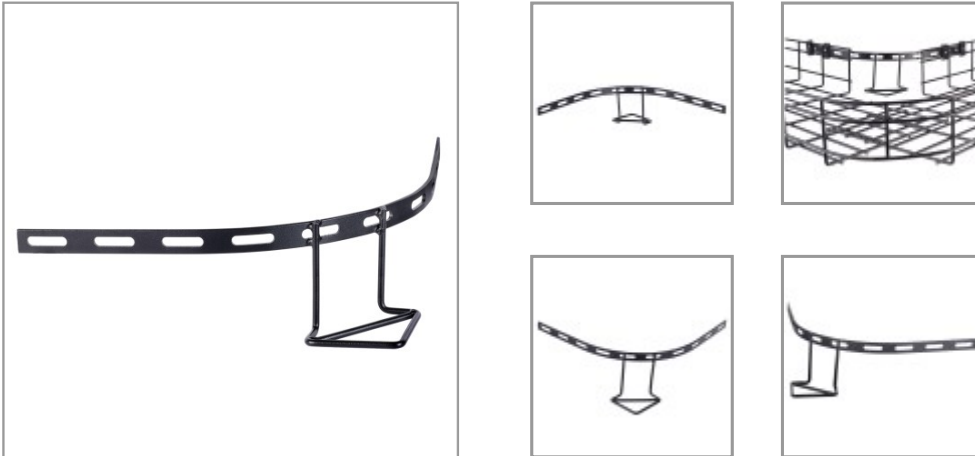


Large Arc Buffer Link Span Kit for Wire Mesh Cable Trays (4 in. tall)

MODEL NUMBER: **SRWBARCBFFL4**



Provides structural support and creates a radius for connecting an intersection in your custom-designed wire mesh runway.

Features

Arc Buffer Bracket Helps You Create Custom Cable Management Schemes

This SmartRack® arc buffer creates a secure connection point between two intersecting sections of wire mesh cable tray in your server room or data center. This allows you to create a radius for 90-degree intersections and shape the direction of cabling to your liking. The black powder-coated metal plate adds a radius that further strengthens and supports the bundled cables, allowing for more voluminous and comprehensive runs. Four couplers are included for quick installation. The SRWBARCBFFL4 is designed for wire mesh cable trays four inches in height, such as Tripp Lite's SRWB6410STR, SRWB12410STR and SRWB18410STR.

Specifications

OVERVIEW	
UPC Code	037332247988
Product Type	Elbow
Accessory Type	Cable Management Accessories
Cable Management System Component Type	Elbow
PHYSICAL	
Color	Black
Cable Jacket Color	Black
Shipping Dimensions (hwd / in.)	4.13 x 18.90 x 10.63
Shipping Weight (kg)	0.74

Highlights

- Securely and safely connects wire mesh cable trays along a ceiling, floor or wall
- Allows you more flexibility in routing custom cable management intersections
- Compatible with wire mesh cable trays measuring 4 in. tall
- Includes 4 couplers for immediate installation in your data center

Applications

- Organize a wire mesh cable tray system with intersecting sections along the wall, floor or ceiling of your data center

System Requirements

- Compatible with 4-inch-tall wire mesh cable trays, such as Tripp SRWB6410STR, SRWB12410STR and SRWB18410STR

Package Includes

- Arc buffer
- (4) SRWBUNVCPLR couplers
- Installation guide



Tripp Lite
1111 W. 35th Street
Chicago, IL 60609 USA
Telephone: 773.869.1234
www.tripplite.com

Unit Dimensions (hwd / in.)	3.970 x 11.380 x 11.380
Unit Dimensions (hwd / cm)	10.0838 x 28.9052 x 28.9052
Unit Weight (lbs.)	0.500
Unit Weight (kg)	0.23
STANDARDS & COMPLIANCE	
Product Certifications	CAN/CSA-C22.2 No. 126.1-09; NFPA 70
WARRANTY & SUPPORT	
Product Warranty Period (Worldwide)	5-year limited warranty

© 2022 Tripp Lite. All rights reserved. All product and company names are trademarks or registered trademarks of their respective holders. Use of them does not imply any affiliation with or endorsement by them. Tripp Lite has a policy of continuous improvement. Specifications are subject to change without notice. Tripp Lite uses primary and third-party agencies to test its products for compliance with standards. See a list of Tripp Lite's testing agencies: <https://www.tripplite.com/products/product-certification-agencies>