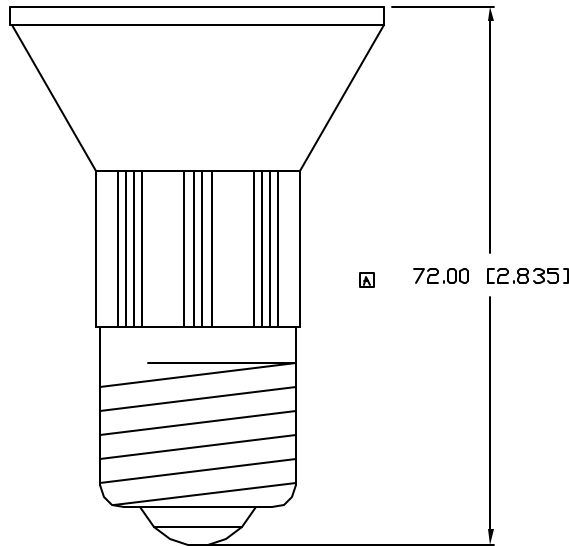
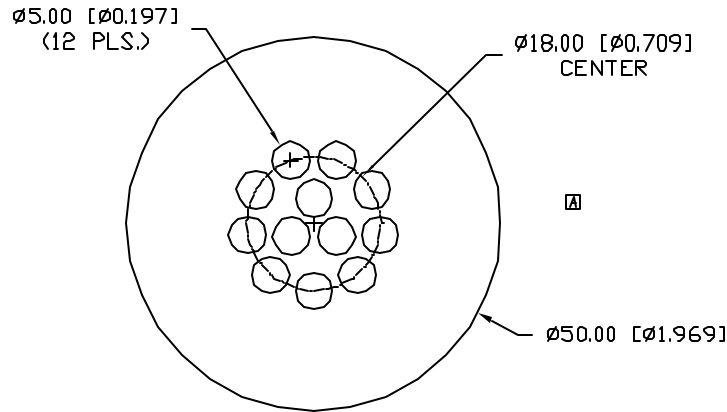


UNCONTROLLED DOCUMENT

PART NUMBER
SSP-11E272UP110

REV.
A



REV.	E.C.N. NUMBER AND REVISION COMMENTS	DATE
A	E11149	7.14.04

ELECTRO-OPTICAL CHARACTERISTICS $T_A=25^\circ\text{C}$ $V_f=110\text{V}$					
PARAMETER	MIN	TYP	MAX	UNITS	TEST COND
PEAK WAVELENGTH		525		nm	
FORWARD VOLTAGE		110		V_f	
REVERSE VOLTAGE	5.0			V_r	$I_f=100\mu\text{A}$
AXIAL INTENSITY		22		cd	$V_f=110\text{V}$
VIEWING ANGLE		30		2x theta	
EMITTED COLOR:	ULTRA PURE GREEN				
EPOXY LENS FINISH:	WATER CLEAR				

LIMITS OF SAFE OPERATION AT 25°C PER DIE			
PARAMETER		MAX	UNITS
PEAK FORWARD CURRENT*		120	mA
STEADY CURRENT		30	mA
POWER DISSIPATION		105	mW
DERATE FROM 25°C		-1.2	mW/ $^\circ\text{C}$
OPERATING, STORAGE TEMP.		-30 TO +85	$^\circ\text{C}$

* $t < 10\mu\text{s}$

*UNLESS OTHERWISE SPECIFIED TOLERANCES PER DECIMAL PRECISION ARE: X= ± 1 (± 0.039), XX= ± 0.5 (± 0.020), XXX= ± 0.25 (± 0.010), XXXX= ± 0.127 (± 0.005). LEAD SIZE= ± 0.05 (± 0.002), LEAD LENGTH= ± 0.75 (± 0.030). MIN.= +DECIMAL PRECISION MAX.= +0.00 -DECIMAL PRECISION

UNCONTROLLED DOCUMENT

REV. A	PART NUMBER SSP-11E272UP110
-----------	--------------------------------

CONFIDENTIAL INFORMATION
 THE INFORMATION CONTAINED IN THIS DOCUMENT IS THE PROPERTY OF SUNBRITE LEDS. EXCEPT AS SPECIFICALLY AUTHORIZED IN WRITING BY SUNBRITE LEDS, THE HOLDER OF THIS DOCUMENT SHALL KEEP ALL INFORMATION CONTAINED HEREIN CONFIDENTIAL AND SHALL PROTECT SAME IN WHOLE OR IN PART FROM DISCLOSURE AND DISSEMINATION TO ALL THIRD PARTIES.



286 E. HELEN ROAD
 PALATINE, IL 60067-6976
 PHONE: +1.847.359.2790
 FAX: +1.847.359.2867
 WEB: www.sunbriteleds.com

RELIABILITY NOTE
 OUR MANY YEARS OF EXPERIENCE DATA ACCUMULATION INDICATE THAT SOLDER HEAT IS A MAJOR CAUSE OF EARLY AND FUTURE FAILURE. PLEASE PAY ATTENTION TO YOUR SOLDERING PROCESS.

\square 50mm CIRCULAR, 12 LED POLYLED, E27 SCREW BASE,
 525nm ULTRA PURE GREEN LEDS, WATER CLEAR LENS.

DRAWN: BC	CHECKED:	APPROVED:	DATE: 11.27.02 PAGE: 1 OF 1
--------------	----------	-----------	--------------------------------