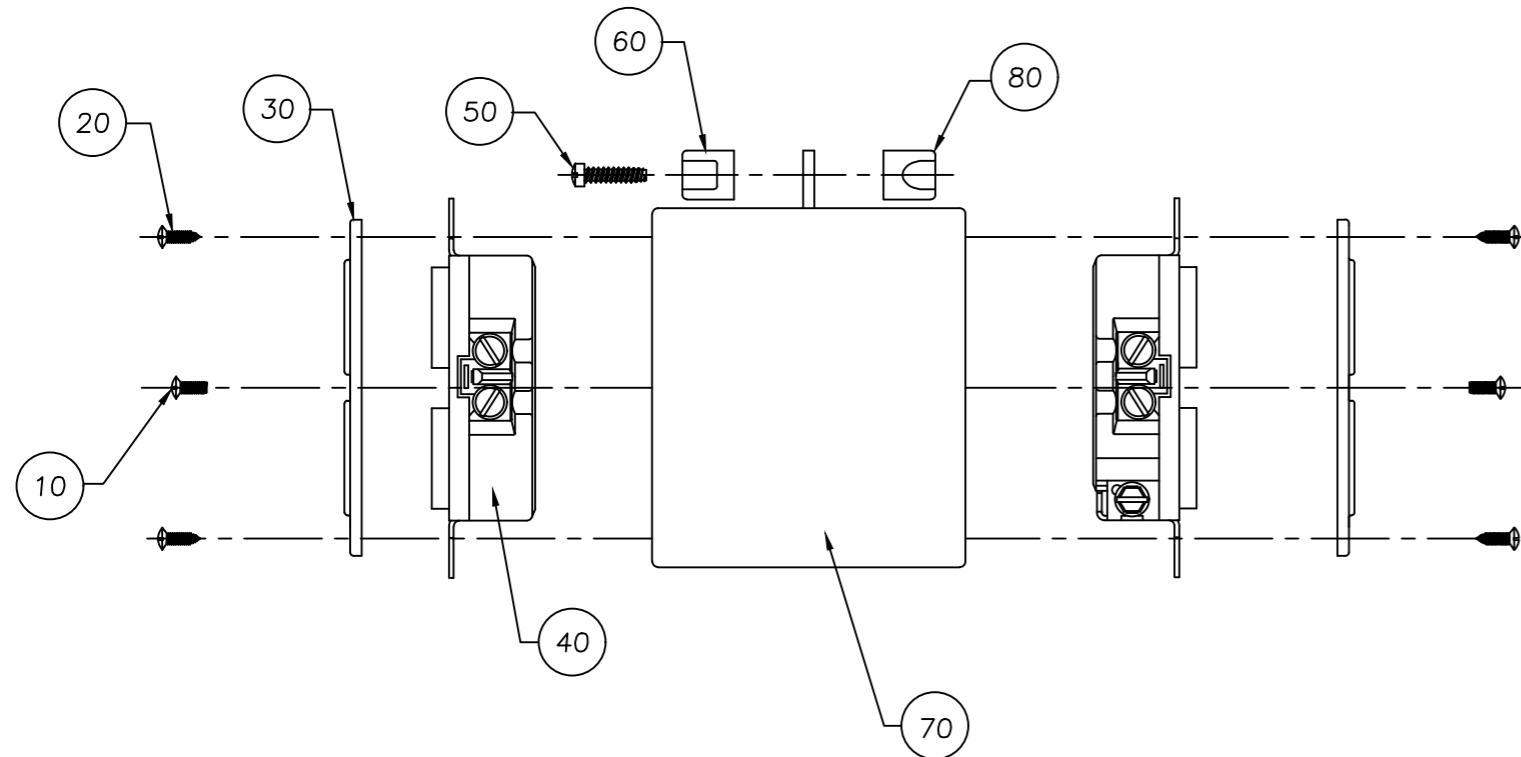
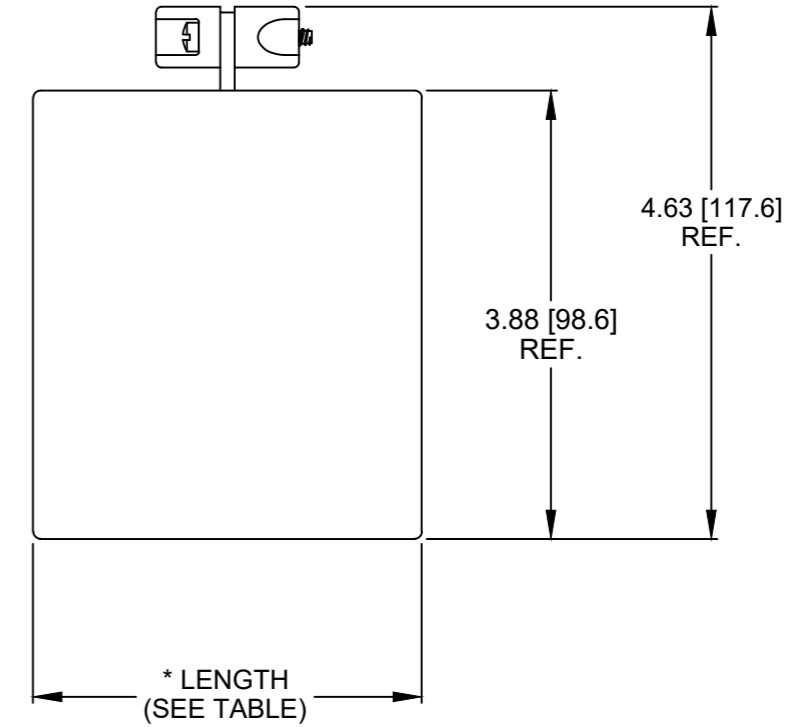
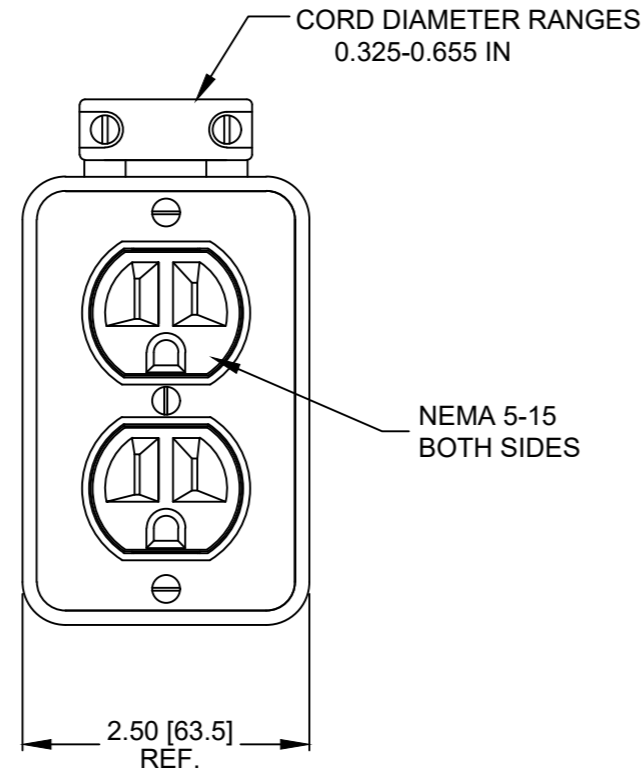


WOODHEAD NO.	MATERIAL NO.	* LENGTH (REF.)	DESCRIPTION	BOX & COVERPLATE COLOR	RECEPTACLE
3000-1	1301370088	3.38 [85.9]	STANDARD DEPTH	YELLOW	BROWN / DUPLEX
3000-1BLK	1301370099	3.38 [85.9]	STANDARD DEPTH	BLACK	BLACK / DUPLEX
3080-1	1301370165	4.38 [111.3]	EXTENDED DEPTH	YELLOW	BROWN / DUPLEX
3080-1BLK	1301370173	4.38 [111.3]	EXTENDED DEPTH	BLACK	BLACK / DUPLEX



ITEM NO.	DESCRIPTION	MATERIAL
10	SCREW (#6-32)	STAINLESS STEEL
20	SCREW (#6x0.5)	STAINLESS STEEL
30	COVERPLATE	NYLON
40	RECEPTACLE	5252DW OR 5252DWBLK
50	SCREW (#8x0.875)	STAINLESS STEEL
60	CORD CLAMP	NYLON
70	OUTLET BOX	RUBBER & STEEL
80	CORD CLAMP	NYLON

SYMBOLS	THIS DRAWING CONTAINS INFORMATION THAT IS PROPRIETARY TO MOLEX ELECTRONIC TECHNOLOGIES, LLC AND SHOULD NOT BE USED WITHOUT WRITTEN PERMISSION										
	DIMENSION UNITS		SCALE		CURRENT REV DESC: DESCRIPTION, BOX/COVERPLATE COLOR AND RECEPTACLE COLORS UPDATED. ADDED 3080-1BLK OPTION TO TABLE.						
INCH/MM		NTS		GENERAL TOLERANCES (UNLESS SPECIFIED)						SUPER-SAFEWAY	
= 0				4 PLACES ±--- ±---						OUTLET BOX WITH TWO DUPLEX RECEPTACLES	
= 0				3 PLACES ±--- ±0.005						PRODUCT CUSTOMER DRAWING	
= 0				2 PLACES ±0.13 ±0.01						DOCUMENT NUMBER	
= 0				1 PLACE ±0.25 ±0.02						SD-130137-031	
= 0				0 PLACES ±--- ±---						DOC TYPE/DOC PART/REVISION	
= 0				ANGULAR TOL ± 0.5 °						PSD 001 B	
= 0				DRAFT WHERE APPLICABLE MUST REMAIN WITHIN DIMENSIONS		THIRD ANGLE PROJECTION		DRAWING		SHEET NUMBER	
= 0						B-SIZE		SERIES		1 OF 1	
						130137		MATERIAL NUMBER		GENERAL MARKET	
								CUSTOMER			