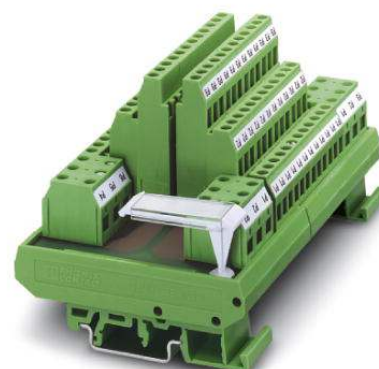


UMK- PVB 6

Order No.: 2972136



<http://eshop.phoenixcontact.de/phoenix/treeViewClick.do?UID=2972136>

VARIOFACE module, with six equipotential busbars (P1, P2, P3, P4, P5, P6) for potential distribution, for mounting on NS 35/7.5 or NS 32



Commercial data

EAN	4017918088613
Pack	1 pcs.
Customs tariff	85369010
Weight/Piece	0.4122 KG
Catalog page information	Page 297 (IF-2007)

Product notes

WEEE/RoHS-compliant since:
01/19/2007



<http://www.download.phoenixcontact.com>
Please note that the data given here has been taken from the online catalog. For comprehensive information and data, please refer to the user documentation. The General Terms and Conditions of Use apply to Internet downloads.

Technical data

General data

Nominal voltage U_N	250 V AC/DC
Potential connections	Per potential (P1...P6) 2 power/12 distributor terminal blocks
Width	123.8 mm

Height	72 mm
Depth	77 mm
Ambient temperature (operation)	-20 °C ... 50 °C
Ambient temperature (storage/transport)	-20 °C ... 70 °C
Mounting position	Any
Standards/regulations	IEC 60664
	DIN EN 50178
	IEC 62103

Connection data, supply

Conductor cross section solid min.	0.2 mm ²
Conductor cross section solid max.	6 mm ²
Conductor cross section stranded min.	0.2 mm ²
Conductor cross section stranded max.	4 mm ²
Conductor cross section AWG/kcmil min.	24
Conductor cross section AWG/kcmil max	10
Type of connection	Screw connection
Stripping length	8 mm
Screw thread	M3

Connection data, distribution

Conductor cross section solid min.	0.2 mm ²
Conductor cross section solid max.	4 mm ²
Conductor cross section stranded min.	0.2 mm ²
Conductor cross section stranded max.	2.5 mm ²
Conductor cross section AWG/kcmil min.	24
Conductor cross section AWG/kcmil max	12
Type of connection	Screw connection
Stripping length	8 mm
Screw thread	M3

Certificates / Approvals

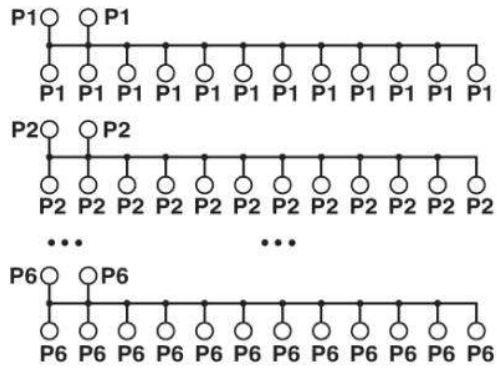


Certification

GOST

Diagrams/Drawings

Circuit diagram



Address

PHOENIX CONTACT Deutschland GmbH
Flachmarktstr. 8
32825 Blomberg, Germany
Phone +49 5235 3 12000
Fax +49 5235 3 41200
<http://www.phoenixcontact.de>



© 2010 Phoenix Contact
Technical modifications reserved;