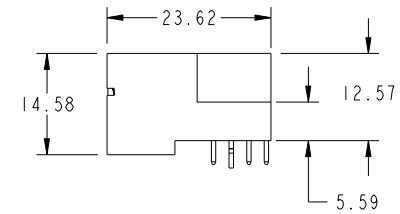
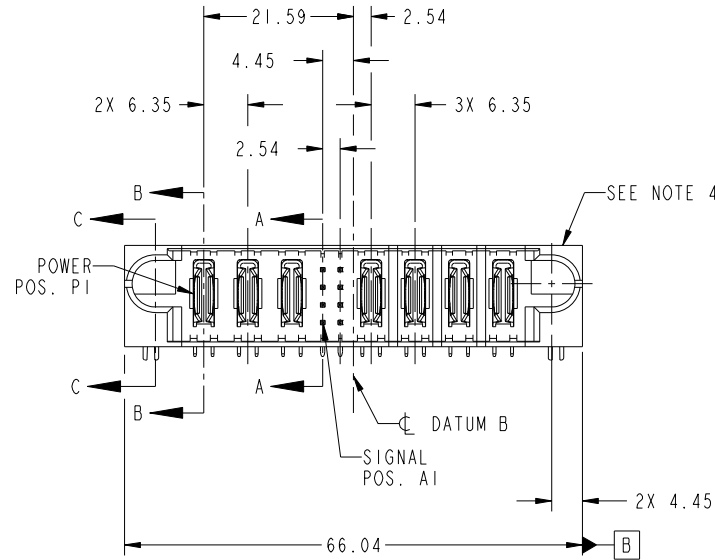


Tous droits strictement réservés. Reproduction ou communication a des tiers interdite sous quelque forme que ce soit sans autorisation écrite du propriétaire. Propriete de c FCI. Droits de reproduction FCI.

All rights strictly reserved. Reproduction or issue to third parties in any form whatever is not permitted without written authority from the proprietor. Property of FCI. Copyright FCI.



PRODUCT NO.	ROWS	POWER			SIG	POWER					
		E1	P1	P2	P3	1	2	P4	P5	P6	P7
51939-411... NOTE 3	D C B A										



CODE	DIM "M" MATING LENGTH	CONTACT TYPE
U	[6.86]	SIGNAL
T	[6.86]	SIGNAL
S	[6.86]	SIGNAL
R	[6.86]	SIGNAL
PA	[N/A]	POWER
HA	[N/A]	HOLD-DOWN

mat'l code				SEE NOTE	tolerances unless otherwise specified		CUSTOMER			
ltr	ecn no.	dr	date	linear	0.X ±0.5	projection	COPY	www.fciconnect.com		
A	DG09-0089	WD	03/25/09	angles	0.XX ±0.25			title 3P + 8S + 4P RIGHT ANGLE SOLDER HEADER		
					0.XXX ±0.1			product family PwrBlade code 213		
				dr	Warren Du 01/07/09	MIM	scale 1:1	size	dwg no	
				enr	Warren Du 01/07/09			A	51939-411	sheet 1 of 4
				chr	Gary Hsieh 01/07/09					
				appd	JOSEPH HSIA 01/07/09					
sheet index	revision sheet	A 1	A 2	A 3	A 4			cage code	22526	

Pro/E

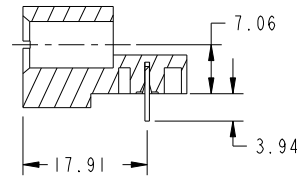
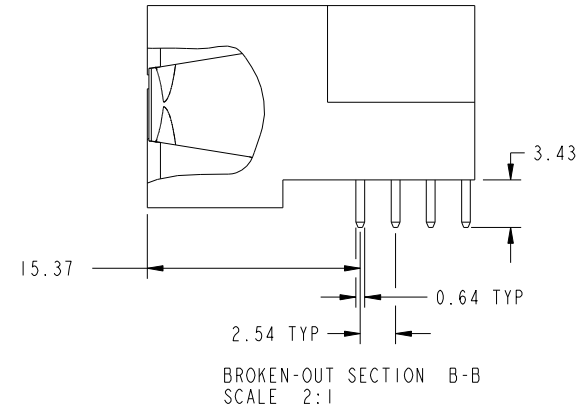
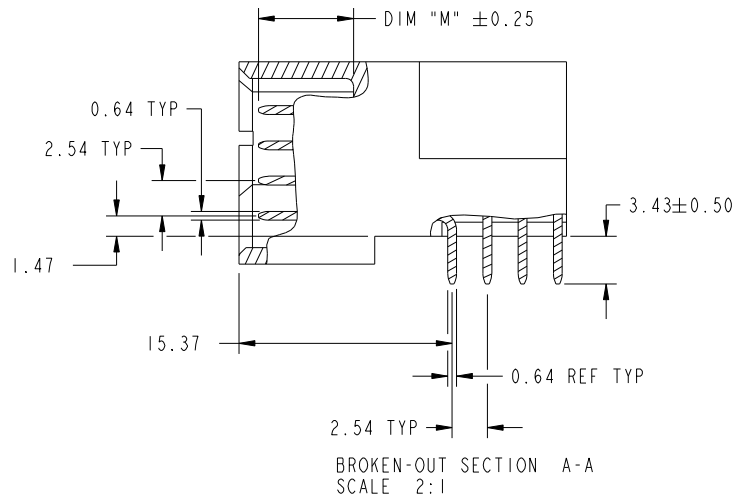
cage code 22526

Tous droits strictement reserves. Reproduction ou communication a des tiers interdite sous quelque forme que ce soit sans autorisation ecrite du proprietaire. Propriete de c FCI. Droits de reproduction FCI.

All rights strictly reserved. Reproduction or issue to third parties in any form whatever is not permitted without written authority from the proprietor. Property of FCI. Copyright FCI.



PRODUCT NUMBER  
51939-411--  
NOTE: 3



mat'l code				SEE NOTE		tolerances unless otherwise specified		CUSTOMER		FCI	
ltr	ecn no.	dr	date	linear	0.X ±0.5	COPY		projection		www.fciconnect.com	
A					0.XX ±0.25	MIM		title		3P + 8S + 4P	
				angles	0.XXX ±0.1	1:1		product family		PwrBlade	
				dr	Warren Du 01/07/09	scale		size		code	
				enr	Warren Du 01/07/09	1:1		dwg no		213	
				chr	Gary Hsieh 01/07/09			A		sheet	
				appd	JOSEPH HSIA 01/07/09			51939-411		2 of 4	
sheet index	revision sheet										

cage code 22526

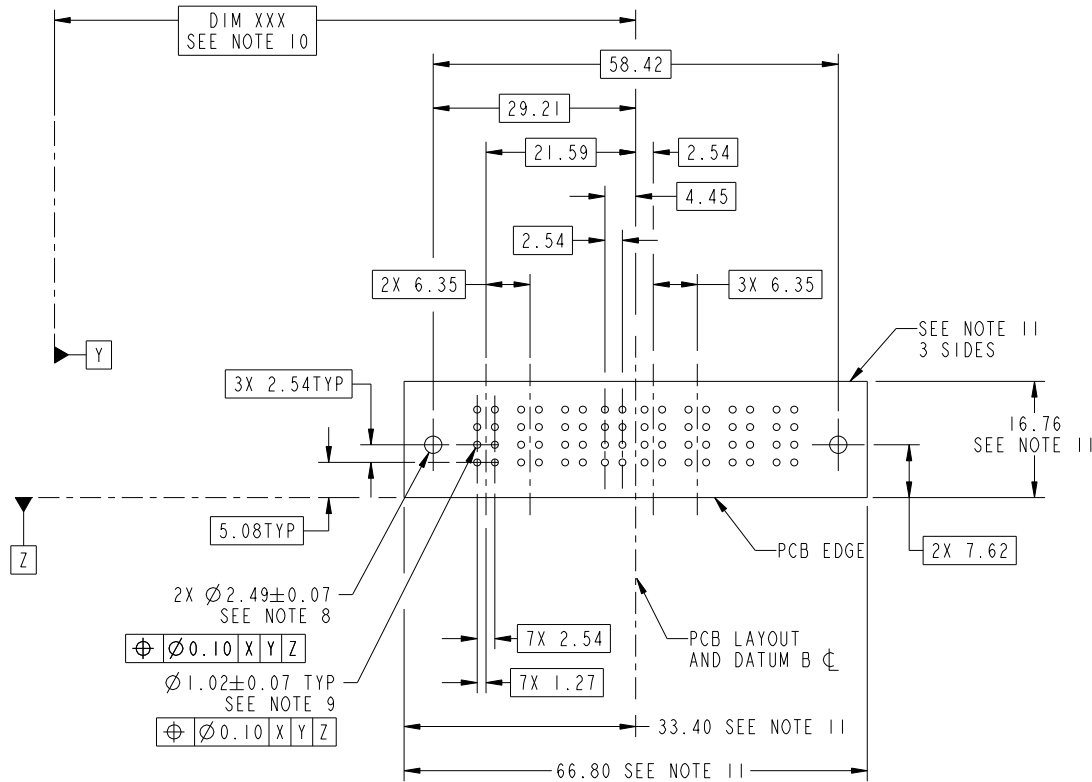
Pro/E

Tous droits strictement reserves. Reproduction ou communication a des tiers interdite sous quelque forme que ce soit sans autorisation écrite du propriétaire. Propriete de c FCI. Droits de reproduction FCI.



All rights strictly reserved. Reproduction or issue to third parties in any form whatever is not permitted without written authority from the proprietor. Property of FCI. Copyright FCI.

PRODUCT NUMBER  
51939-411--  
NOTE: 3



RECOMMENDED PCB LAYOUT

mat'l code		SEE NOTE		tolerances unless otherwise specified		CUSTOMER		FCI	
ltr	ecn no.	dr	date	linear	0.X ±0.5	COPY		www.fciconnect.com	
A				linear	0.XX ±0.25	projection		title	
				angles	0.XXX ±0.1			3P + 8S + 4P RIGHT ANGLE SOLDER HEADER	
				dr	Warren Du 01/07/09	MIM		product family PwrBlade code	
				enr	Warren Du 01/07/09			size 213	
				chr	Gary Hsieh 01/07/09	scale		dwg no 51939-411 sheet	
				appd	JOSEPH HSIA 01/07/09	1:1		3 of 4	
sheet index	revision sheet								

cage code 22526

Pro/E

Tous droits strictement reserves. Reproduction ou communication a des tiers interdite sous quelque forme que ce soit sans autorisation écrite du propriétaire. Propriete de c FCI. Droits de reproduction FCI.



All rights strictly reserved. Reproduction or issue to third parties in any form whatever is not permitted without written authority from the proprietor. Property of FCI. Copyright FCI.

PRODUCT NUMBER  
51939-411--  
NOTE: 3

NOTES:

1. DIMENSIONS AND TOLERANCES ARE IN ACCORDANCE WITH ASME Y14.5M, 1994 UNLESS OTHERWISE SPECIFIED.

CONNECTOR NOTES:

- 2. HOUSING MATERIAL: UL 94 V-0 GLASS FILLED HIGH-TEMP THERMOPLASTIC  
POWER CONTACT MATERIAL: COPPER ALLOY  
SIGNAL PIN MATERIAL: COPPER ALLOY
  - 3. SEE ITEM 1 & 2 IN PRINT 10064183 FOR PLATING SPEC OF 51939-411 AND 51939-411LF RESPECTIVELY.
  - 4. MANUFACTURER'S NAME, P/N, AND DATE CODE TO APPEAR ON THIS SURFACE.
  - 5. PRODUCT SPECIFICATION GS-12-149.  
APPLICATION SPECIFICATION BUS-20-067.
  - 6. PACKAGED IN TRAYS.
- PCB NOTES:
- 7. ALL HOLE DIAMETERS ARE FINISHED HOLE SIZE.
  - 8. MOUNTING HOLES, WHERE APPLICABLE, ARE UNPLATED.
  - 9.  $\varnothing 1.151 \pm 0.025$  DRILLED HOLES PLATED WITH  
0.008 MIN SnPb OR Sn OVER 0.03  
TO 0.08 Cu PLATING TO ACHIEVE  
 $\varnothing 1.02 \pm .07$  HOLE.
  - 10. "DIM XXX" TO BE DETERMINED BY THE CUSTOMER.
  - 11. CONNECTOR KEEP-OUT ZONE.

mat'l code				SEE NOTE	tolerances unless otherwise specified	CUSTOMER	FCI	
ltr	ecn no.	dr	date	linear	0.X ± 0.5	COPY	www.fciconnect.com	
A				linear	0.XX ± 0.25	projection	title 3P + 8S + 4P	
				angles	0.XXX ± 0.1		RIGHT ANGLE SOLDER HEADER	
				dr	0° ± 2°	MIM	product family	PwrBlade
				enr	Warren Du 01/07/09	← MIM →	size	code 213
				chr	Warren Du 01/07/09	scale	dwg no	sheet 4 of 4
				appd	Gary Hsieh 01/07/09	1:1	A	51939-411
					JOSEPH HSIA 01/07/09			
sheet index	revision sheet							

cage code 22526

Pro/E