

1

2

3

4

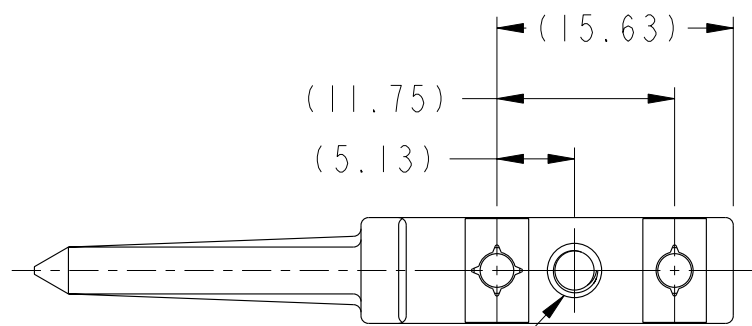
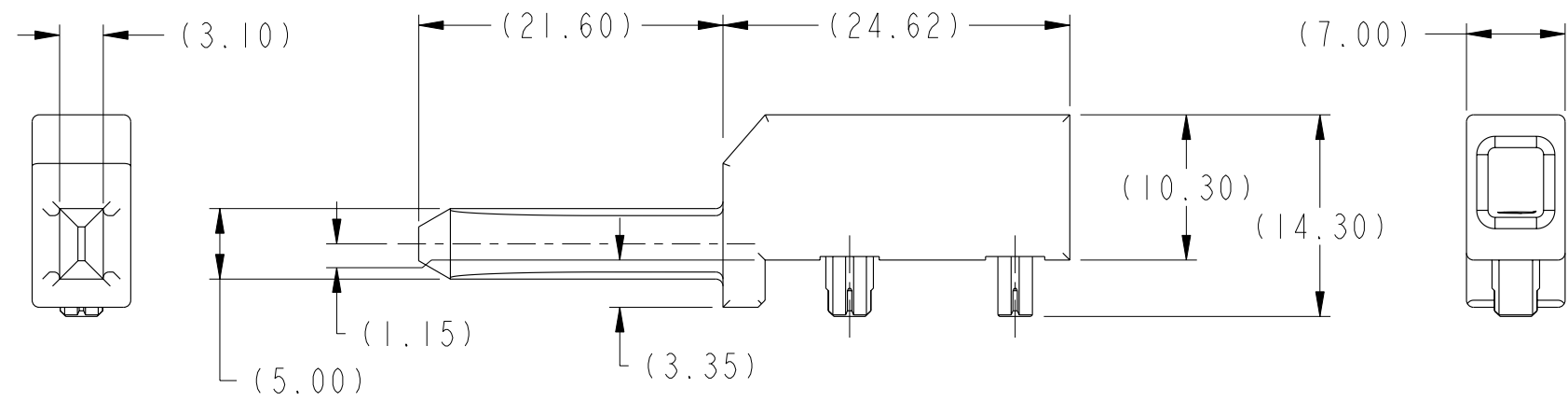
PRODUCT NUMBER
SEE TABLE, SHEET 2

A

B

C

D



M3 X 0.5-6H
x 3.0 DEEP



Copyright FCI.

www.fciconnect.com			surface 3.2 ASME Y14.5	tolerance std ASME Y14.5	projection MM
TOLERANCES UNLESS OTHERWISE SPECIFIED			0.X ±0.3	0.XX ±0.10	0.XXX ±0.050
Dr	C. H. TAN	2008-05-02	ANGULAR	LINEAR	size A4
Eng	C. H. TAN	2008-05-02	0° ±°		Scale 2:1
Chr	C. H. TAN	2009-02-25	Product family AirMax Accessories		ECN S09-0061
Appr	JOEY NG	2009-02-25	Spec ref		
FCI			7.2mm R/A GUIDE BLADE		Rev. A
			3 PR, INVERSE COPLANAR		
			catalog no	CUSTOMER	sheet 1 of 2

rev	ecn no	dr	date
A	S09-0061	CH	2009-02-25
-	-	-	-
-	-	-	-
-	-	-	-
-	-	-	-
-	-	-	-

REV F - 2006-04-17

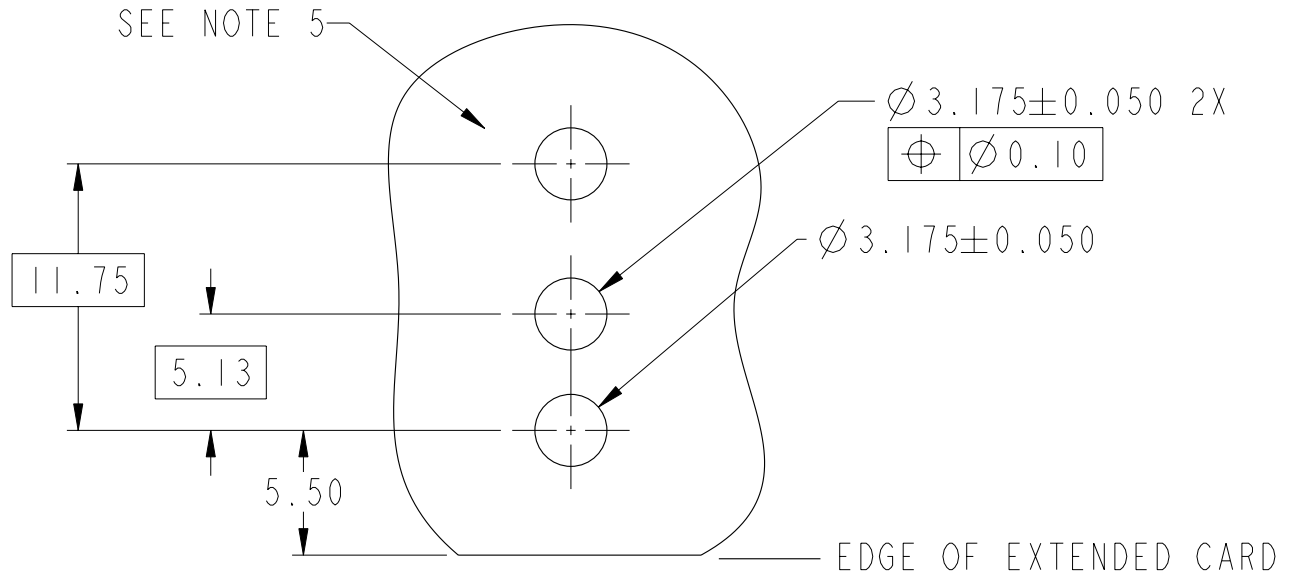
2

PDM: Rev:A

STATUS: Released

4 Printed: Dec 01, 2010

Product number
10088275-101LF



NOTES:

1. MATERIAL: ZINC ALLOY.
2. FINISH: TRIVALENT CHROMATE IRIDESCENT.
3. APPLICATION SPECIFICATION: GS-20-045.
4. REFER TO CUSTOMER DRAWING 10035911 FOR INFORMATION REGARDING PCB LAYOUT OF POWER AND GUIDE MODULES RELATIVE TO SIGNAL MODULES.
5. RIGHT ANGLE PIN MODULE HAS THE SAME PCB FOOTPRINT AS RIGHT ANGLE RECEPTACLE MODULE (REF P/N 10045367 SHEET 2).
6. THIS PRODUCT MEETS EUROPEAN DIRECTIVES AND OTHER COUNTRY REGULATIONS AS DESCRIBED IN GS-22-008
7. PACKAGING MEETS GS-14-920 LEAD FREE LABELING SPECIFICATION.

RECOMMENDED PCB LAYOUT
NOTE 4
SCALE 3:1



Copyright FCI.

FCI	title	7.2mm R/A GUIDE BLADE	dwg no	10088275	Rev.	A
	catalog no	3 PR, INVERSE COPLANAR	-	CUSTOMER	sheet 2 of 2	