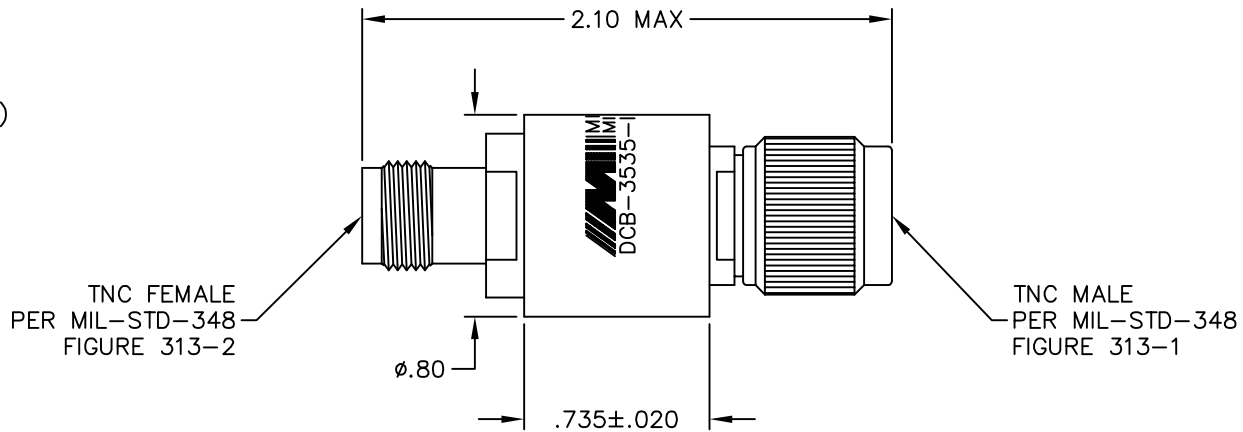



NOTES:

1. MATERIALS & FINISH:
 - 1.1 HOUSINGS:
 - 1.1.1 OUTER: ACETAL RESIN (DELTRIN)
 - 1.1.2 INNER: PASSIVATED STAINLESS STEEL
 - 1.2 DIELECTRIC: PTFE (TEFLON)
 - 1.3 CENTER CONTACT: GOLD PLATED BERYLLIUM COPPER
2. SPECIFICATIONS:
 - 2.1 FREQUENCY RANGE: 0.1 TO 18.0 GHz
 - 2.2 IMPEDANCE: 50 OHMS NOMINAL
 - 2.3 VSWR (MAX):
 - 2.3.1 1.25:1 (0.1 TO 12.4 GHz)
 - 2.3.2 1.35:1 (12.4 TO 18.0 GHz)
 - 2.4 INSERTION LOSS (MAX): 0.5 dB (0.1 TO 18.0 GHz)
 - 2.5 WORKING VOLTAGE (MIN): 200 Vdc
 - 2.6 OPERATING TEMP RANGE: -20°C to +100°C
 - 2.7 INSERTION LOSS @ 1 KHz: > 65dB
 - 2.8 TYPE: INSIDE/OUTSIDE



REV.	DESCRIPTION	DATE
A	ECR 0069	3/6/79
B	ECR 1319	10/28/81
C	ECR 2685	2/24/84
D	ECR 3026	8/15/84
E	ECR 6545	6/30/89
F	ECN 10356	4/1/91
G	REDRAWN ON CAD	5/7/93
K	ECO 58093	10/7/21

NOTICE: The information in this drawing is PROPRIETARY and must not be used without the permission of Cinch Connectivity Solutions. It may contain data whose export is restricted. Verify status prior to exporting.		CAGE CODE 34078		MIDWEST MICROWAVE	
UNLESS OTHERWISE NOTED DIMENSIONS ARE IN INCHES AND TOLERANCES ARE: 3 PLACE DECIMALS ±.005 2 PLACE DECIMALS ±.02 FRACTIONS ±1/64 PARALLELITY: T.I.R. FLATNESS: T.I.R. CONCENTRICITY: T.I.R. ANGLES AND PERPENDICULARITY: ±1°				TITLE DC BLOCK	
DRAWN/DATE M.HOLLMAN 5/7/93		ENG./DATE A.OSGA 5/18/93		DRAWING NUMBER DCB-3535-10-TNC-02-01	
CHECKED/DATE A.BEATTY 5/14/93		APPROVED/DATE		REV. K	
SCALE: 1:1				SHEET 1 of 1	