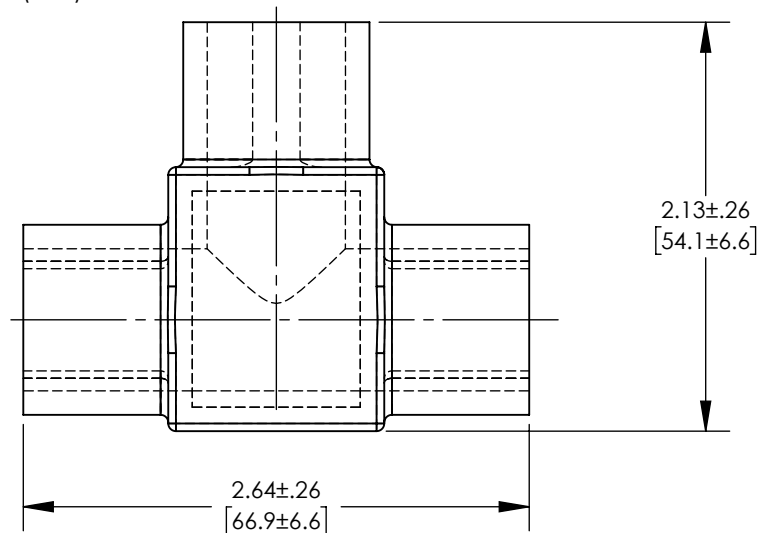
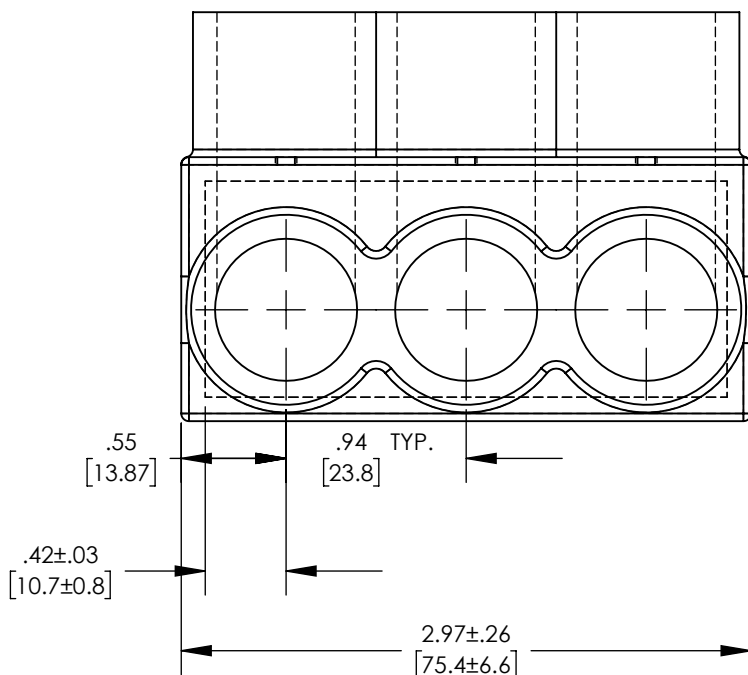
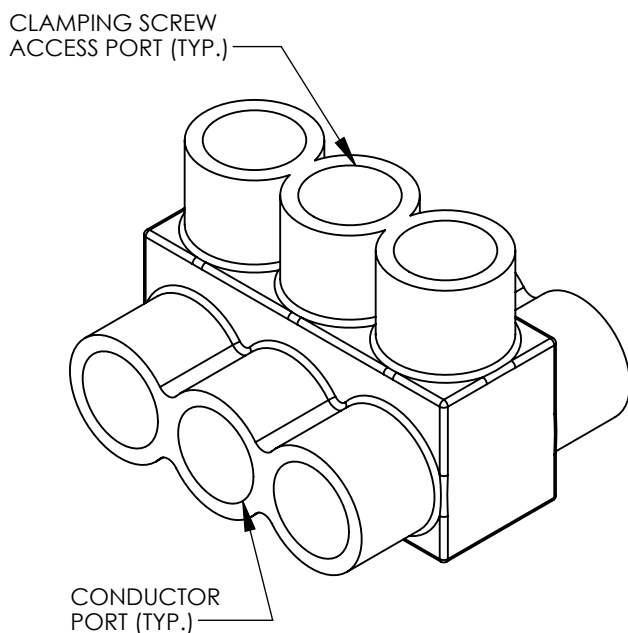


THREE PORT CONNECTOR BLOCK SHOWN WITH PLASTIC CLOSURE PLUGS REMOVED.



PART NUMBER	CONDUCTOR RANGE	HEX KEY	WIRE STRIP LENGTH	SCREW QTY.	CAP (SCREW PORT) QTY.	CAP (WIRE PORT) QTY.
BLKPSB250-3-6	250 kcmil - #10 STR	5/16	.94 [23.9]	3	3	6

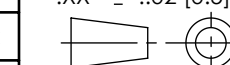


NOTES:

- UL486A-UL486B LISTED/CSA CERTIFIED C22.2 No. 65, DUAL RATED AL9CU FOR ALUMINUM OR COPPER CONDUCTORS. MEETS OR EXCEEDS ANSI C119.4
- VOLTAGE RATING: 600 V. MAX BUILDING WIRE, 1000 V. MAX. IN SIGNS & FIXTURES.
- TEMPERATURE RATING: 90° C (AL9CU).
- CONNECTOR BLOCK BODY MADE FROM ALUMINUM. CONDUCTOR PORTS ARE PREFILLED WITH AN OXIDE INHIBITING COMPOUND.
- CONNECTOR TO INCLUDE TIN PLATED ALUMINUM CLAMPING SCREWS FOR EACH CONDUCTOR PORT.
- INSULATION MATERIAL IS BLACK PVC.
- INSULATION MATERIAL HAS A UL94V-0 FLAME RATING.
- INSULATION MATERIAL HAS A UV-1 RATING.
- CONNECTOR RATED FOR INDOOR USE ONLY.
- CLAMPING SCREW ACCESS PORTS AND ALL WIRE ENTRY PORTS PROVIDED WITH REMOVEABLE PLASTIC CLOSURE PLUGS.
- CLOSURE PLUG MATERIAL IS A BLACK LDPE.
- CLOSURE PLUG MATERIAL DOES NOT HAVE A UV RATING OR FLAME RATING.
- SEE PACKAGE LABEL FOR TIGHTENING TORQUE SPECIFICATIONS.
- ONLY ONE CONDUCTOR PER PORT ALLOWED.
- DIMENSIONS IN BRACKETS ARE MILLIMETERS.
- PKG. QTY. = 6

REV	DATE	BY	CHK	APR	DESCRIPTION	ECN
02	8/16	JHNU	BKR	RGB	REVISED NOTE 7: UL94V-0 REVISED NOTE 12: ADDED UV RATING ADDED UV-1 RATING NOTE ADDED INDOOR USE ONLY NOTE	13J051CR-DC
01	1/16	JHNU	BKR	RGB	ADDED PACKAGING QTY. TO PART NUMBER	13J051CR-DC
00	12/15	JHNU	BKR	RGB	DRAWING RELEASED	13J051CR-DC

TITLE MULTI-TAP BLACK INSULATED CONNECTOR, DOUBLE SIDED BLKPSB250 SERIES CUSTOMER DRAWING						
ITEM REVISION NAME 13J051CR/02						
DATASET FILE NAME 13J051CR-DC/02.SLDDRW						
UNLESS OTHERWISE SPECIFIED, DIMENSIONAL TOLERANCES ARE: IN [mm] .X ± .XX ± .02 [0.5] .XXX ± ANGLES ±						
DRAWN BY JHNU			DATE 12/15		CHK RGB	
SCALE N/A			DRAWING NUMBER 13J051CR-DC			
SHEET 1 OF 1						SIZE B



THIRD ANGLE
PROJECTION