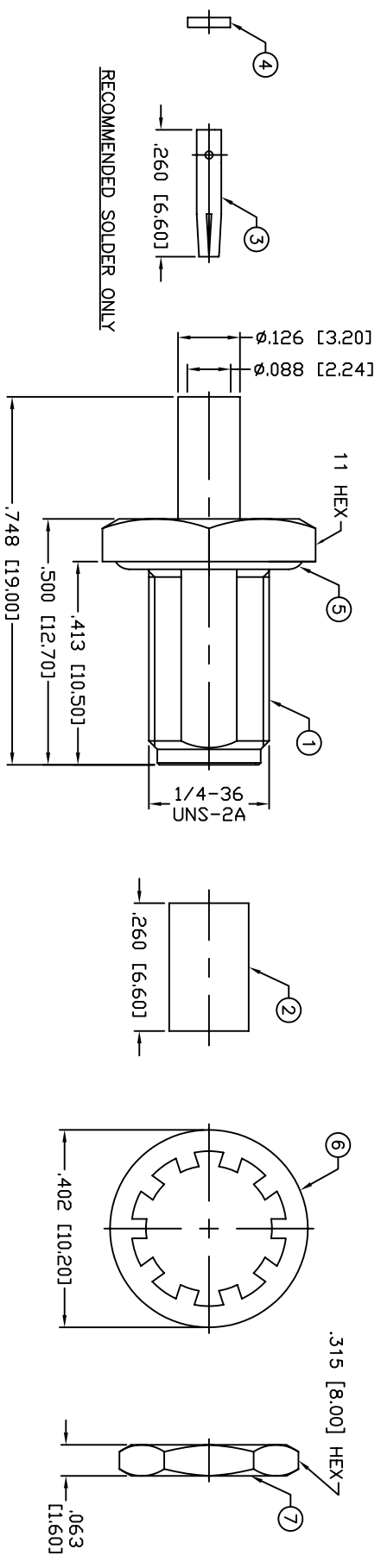


THIS DRAWING CONTAINS INFORMATION PROPRIETARY TO RF INDUSTRIES.
 ANY UNAUTHORIZED USE OF THIS DRAWING IS EXPRESSLY PROHIBITED
 WITHOUT WRITTEN PERMISSION FROM RF INDUSTRIES.
 ANY VIOLATION IS PUNISHABLE UNDER U.S. COPYRIGHT LAWS.

ALL DIMENSIONS ARE REFERENCE ONLY

PART NO.		RSA-3560-1-047	
REV	DESCRIPTION	DWN	DATE
-	ENGINEERING RELEASE	CZS	6/23/98
			APPROVED
			JDMc



SPECIFICATIONS:

IMPEDANCE: 50 Ohms
 FREQUENCY RANGE: 0-18 GHz
 INSERTION LOSS(DB): 0.03 x f(GHZ)
 VSWR: 1.3 MAX.
 WORKING VOLTAGE: 500 V rms Max. @ Sea Level
 INSULATION RESISTANCE: 5k M Ohms min.
 TEMPERATURE RANGE: -65°C TO 85°C
 FOR .047 SEMI RIGID, M17/151

1	BODY	1	BRASS	GOLD, 3μ"	008974		
2	INSULATOR	1	PTFE	---			
3	CONTACT	1	B&Cu	GOLD, 50μ"			
4	INSULATOR	1	PTFE	---			
5	GASKET	1	SILICONE	---			
6	LOCK WASHER	1	BRASS	GOLD, 3μ"			
7	HEX NUT	1	BRASS	GOLD, 3μ"			
8	SOLDER INSERT	1	BRASS	GOLD, 3μ"			
9							
10							
11							
12							
13							
14							
#	DESCRIPTION	QTY	MATERIAL	FINISH	APPROVALS	DATE	

UNLESS OTHERWISE SPECIFIED:
 1. REMOVE ALL BURRS
 2. BREAK ALL CORNERS & EDGES .005 R. MAX.
 3. CHAMFER 1ST & LAST THREADS 45°
 4. SURFACE ROUGHNESS 63 FINISH MIL-STD-10
 5. DIAMETERS ON COMMON CENTERS TO BE CONCENTRIC WITHIN .002 T.I.R.
 6. ALL DIMENSIONS ARE AFTER PLATING.

DIMENSIONS ARE IN INCHES AND [MILLIMETERS]
 UNLESS OTHERWISE NOTED TOLERANCES ARE:
 DECIMALS .XXX±.003 [.08]
 DIAMETER .XXX±.001 [.03]
 .XX±.005 [.13]

RF connectors
 DIVISION OF RF INDUSTRIES, LTD.

SMA JACK, BULKHEAD

7610 MIRAMAR RD
 SAN DIEGO, CA 92126
 (858) 549-6340
 (858) 549-6345 FAX

SIZE	CABLE GROUP	DWG NO.	REV
A	SRO	RSA-3560-1-047	-
SCALE:	NTS	CAD FILE	OUTLINE
SHEET	1	OF	1