

6

5

4

3

2

1

E

E

D

D

C

C

B

B

A

A

99.5 FT.
REFERENCE

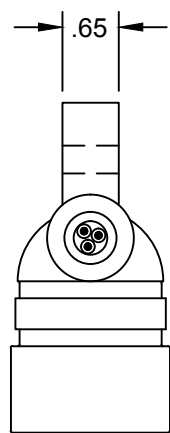
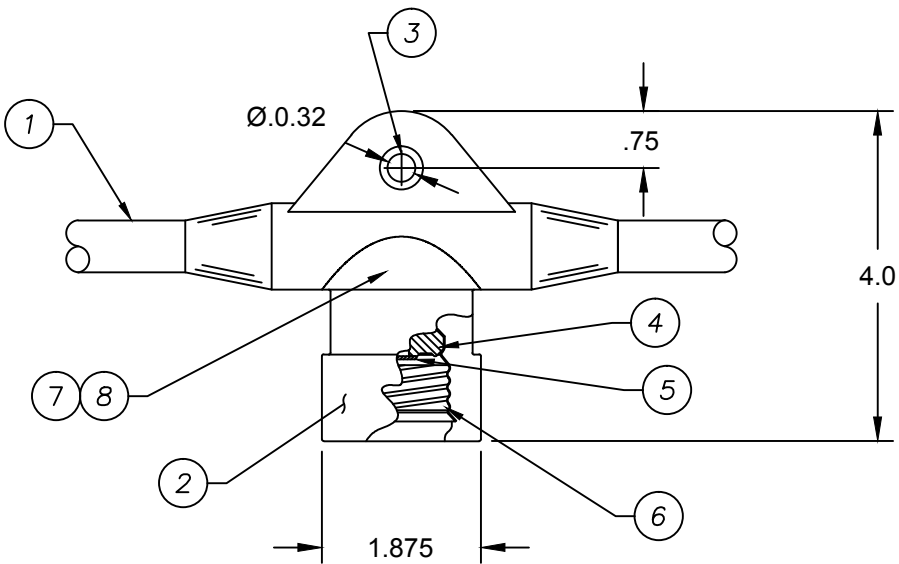
15 FT. ± 6 IN.
LEAD

1 FT. ± 2.0 IN.
84 PLACES

6 IN.
TAIL

[QTY-85] 323 MOLDED SOCKETS
COLOR: BLACK

#12-3 SOOW CORD
COLOR: BLACK



ITEM	DESCRIPTION	MATERIAL
1	#12-3 BLACK CABLE	SOOW/COPPER
2	MOLDED SOCKETS BLACK	NITRILE/PVC
3	EYELET	BRASS
4	BUTTON WHITE	PORCELAIN
5	RIVET	BRASS
6	SCREWSHELL	COOPER
7	1 CONDUCTOR WIRE BLACK	NEOPRENE
8	1 CONDUCTOR WIRE WHITE	NEOPRENE

CUSTOMER APPROVAL DRWG EC NO: IPC2014-0028 DRWN: HRUIZ01 2013/07/02 CHKD: HKNEELAN APPR: JFMURPHY 2014/01/28	DESCRIPTION REV A	QUALITY SYMBOLS $\nabla = 0$ $\nabla C = 0$	GENERAL TOLERANCES (UNLESS SPECIFIED)		DIMENSION STYLE INCH		SCALE NTS	DESIGN UNITS INCH	THIRD ANGLE PROJECTION	
		4 PLACES ±--- ±--- 3 PLACES ±--- ±.005 2 PLACES ±--- ±.010 1 PLACE ±--- ±.020	mm INCH	DRAWN BY HRUIZ01	DATE 2013/07/02	TITLE STRNGLGHT 99.5' ALL BLK (85) 323 SCKTS, 1' SPNGS 15' LDR AND 6" TAIL				
		ANGULAR ±1/2°		CHECKED BY HKNEELAN	DATE 2013/07/02					
		DRAFT WHERE APPLICABLE MUST REMAIN WITHIN DIMENSIONS			APPROVED BY JFMURPHY	DATE 2014/01/28	MATERIAL NO. 130106-0179		DOCUMENT NO. SD-130106-038	

THIS DRAWING CONTAINS INFORMATION THAT IS PROPRIETARY TO MOLEX INCORPORATED AND SHOULD NOT BE USED WITHOUT WRITTEN PERMISSION

6

5

4

3

2

1