

## SPECIFICATIONS SHEET

**PRODUCT TYPE : MECHANICAL BUZZER**

**PRODUCT SERIES : BR2618L**

**DESCRIPTION : MC BUZZER SINGLE 24VDC L/W ABS RoHS**

**COLOR : WHITE**

### ELECTRICAL SPECIFICATIONS

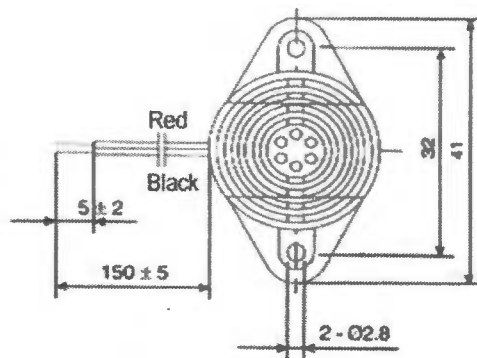
<i>MODEL NO.</i>	<i>BR2618L-24</i>	
<i>OPERATING VOLTAGE RANGE</i>	( VDC )	20.0 ~ 28.0
<i>RATED VOLTAGE</i>	( VDC )	24.0
* <i>MAX. RATED CURRENT</i>	( mA )	21.0
* <i>MIN. SOUND OUTPUT</i>	( dBA / 10 cm )	95.0
* <i>FREQUENCY</i>	( Hz )	400 ± 100
<i>TONE NATURE</i>		SINGLE
<i>OPERATING TEMPERATURE</i>	( °C )	-20.0 ~ +60.0
<i>TERMINAL</i>		LEADWIRE
<i>HOUSING MATERIAL</i>		ABS
<i>WEIGHT</i>	( g )	17.0

\* Value applying at rated voltage

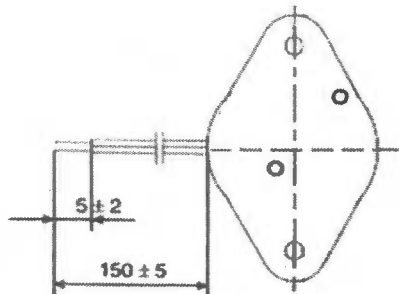
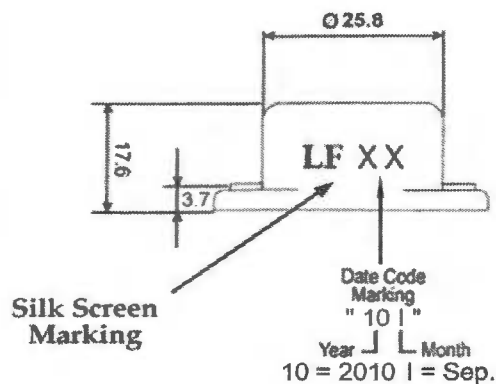
### DIMENSIONS

UNIT : mm

**TOP VIEW**



**SIDE VIEW**



**BOTTOM VIEW**

Modify :	Date :	By :
Modify Wire Position	2-Sep-10	Joey

Approved By : FG  
Date : 2-Sep.-2010

Prepared By : G16  
Date : 2-Sep.-2010

Ref. : 2-002