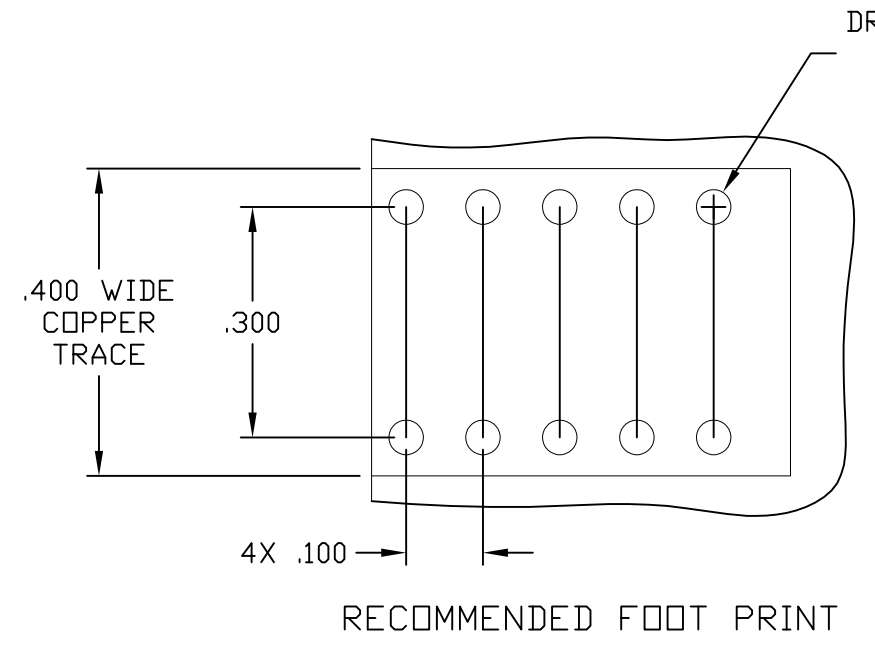
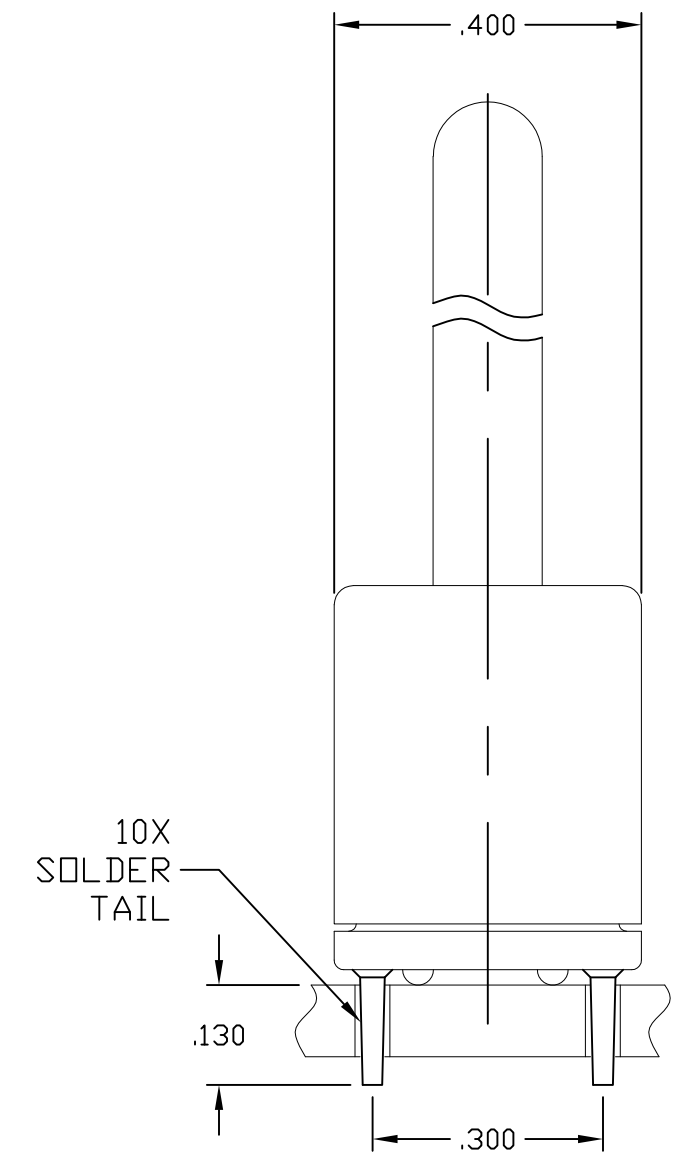
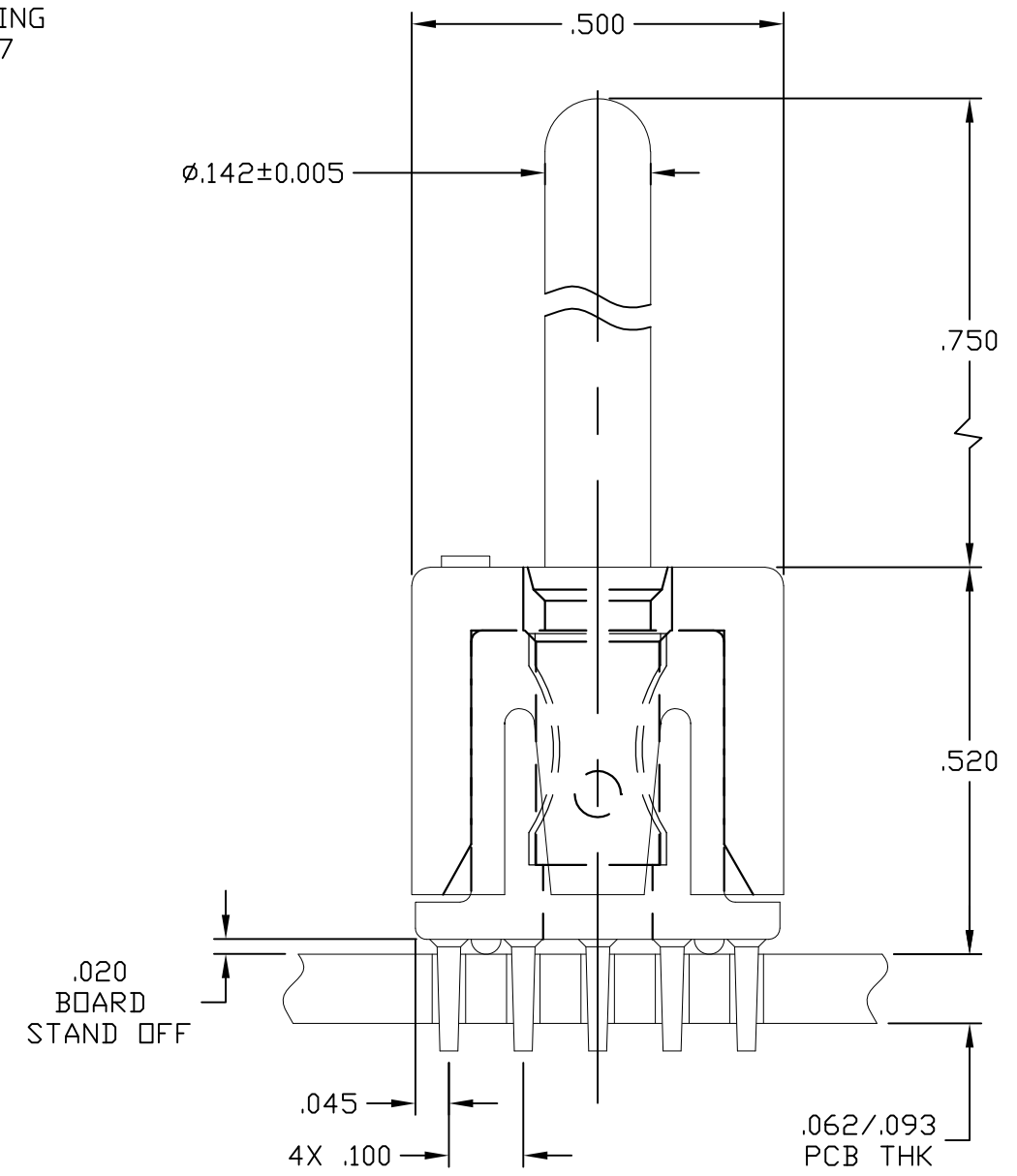


THIS DRAWING IS UNPUBLISHED. RELEASED FOR PUBLICATION
 © COPYRIGHT - By - ALL RIGHTS RESERVED.

LOC	DIST	REVISIONS					
GP	00	P	LTR	DESCRIPTION	DATE	DWN	APVD
			C	REV PER ECO-11-007678	16MAY2011	RG	DO



DRILL HOLE DIAMETER
 10X $\phi.0453 \pm .0010$
 AFTER PLATING
 $\phi.043 / \phi.037$



5. A FIVE POUND (5lb) FORCE IS REQUIRED TO CORRECTLY SEAT THE CONNECTOR WITH PLATED THRU HOLES LESS THAN $\phi.040$ INCH.
4. FINISHES:
 CROWN: GOLD PLATED, .000030 MIN THICK OVER NICKEL PLATED, .000040 MIN THICK.
 INSERT: SILVER PLATED, .000200 MIN THICK, OVER NICKEL PLATED, .000040 MIN THICK.
 CONTACT: SILVER PLATED, .000200 MIN THICK, OVER NICKEL PLATED, .000040 MIN THICK.
3. MATERIALS:
 HOUSING: THERMOPLASTIC, GLASS REINFORCED, COLOR-BLACK UL94V-0 FLAMMABILITY RATED
 INSERT: ZINC ALLOY, CASTING
 CROWN: COPPER ALLOY
 CONTACT: BRASS ALLOY

2. ITEMS PROVIDED TO THIS SPECIFICATION SHALL BE IDENTIFIED ON THE CONTAINER WITH THE FOLLOWING INFORMATION:
 PART NUMBER & DATE CODE OF MANUFACTURE.
1. PART NUMBER CHANGES AND OR DESIGN CHANGES AFFECTING ITEM INTERCHANGEABILITY REQUIRE PRIOR TE APPROVAL AND AUTHORIZATION BY REVISION TO THIS DRAWING.

6643437-1
 PART NUMBER

THIS DRAWING IS A CONTROLLED DOCUMENT.		DWN	12JAN2011	TE Connectivity ICCON, PIN, No.8, PERPENDICULAR SOLDER TAIL, 10 PIN FOOT PRINT NON LOCKING STYLE, .750 PIN EXT											
DIMENSIONS: INCHES		CHK	-												
TOLERANCES UNLESS OTHERWISE SPECIFIED:		APVD	12JAN2011												
<table border="1"> <tr><td>0 PLC</td><td>± -</td></tr> <tr><td>1 PLC</td><td>± -</td></tr> <tr><td>2 PLC</td><td>± .02</td></tr> <tr><td>3 PLC</td><td>± .010</td></tr> <tr><td>4 PLC</td><td>± -</td></tr> <tr><td>ANGLES</td><td>± .5</td></tr> </table>		0 PLC	± -				1 PLC	± -	2 PLC	± .02	3 PLC	± .010	4 PLC	± -	ANGLES
0 PLC	± -														
1 PLC	± -														
2 PLC	± .02														
3 PLC	± .010														
4 PLC	± -														
ANGLES	± .5														
MATERIAL		PRODUCT SPEC		SIZE	CAGE CODE	DRAWING NO	RESTRICTED TO								
-		FINISH		A3	00779	C-6643437	-								
CUSTOMER DRAWING				SCALE	4:1	SHEET	1 OF 1								
				REV	C										