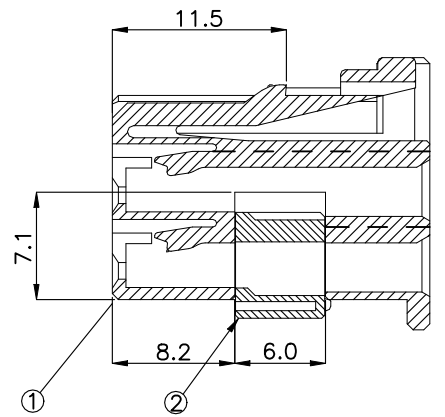
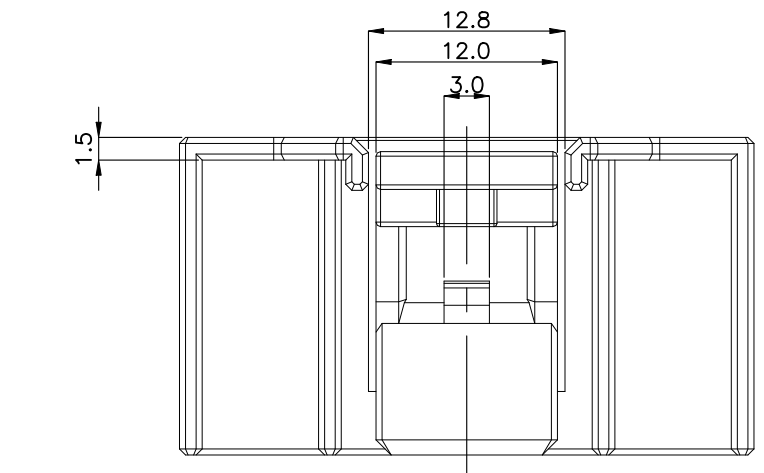
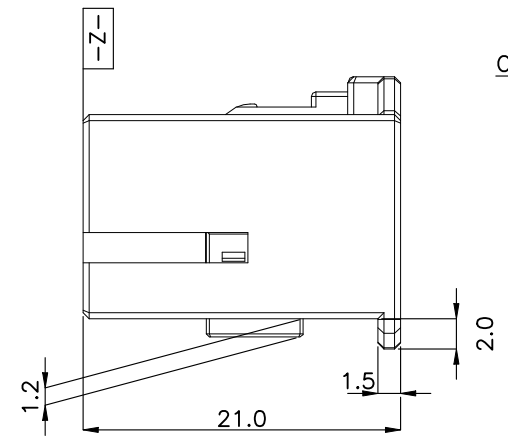
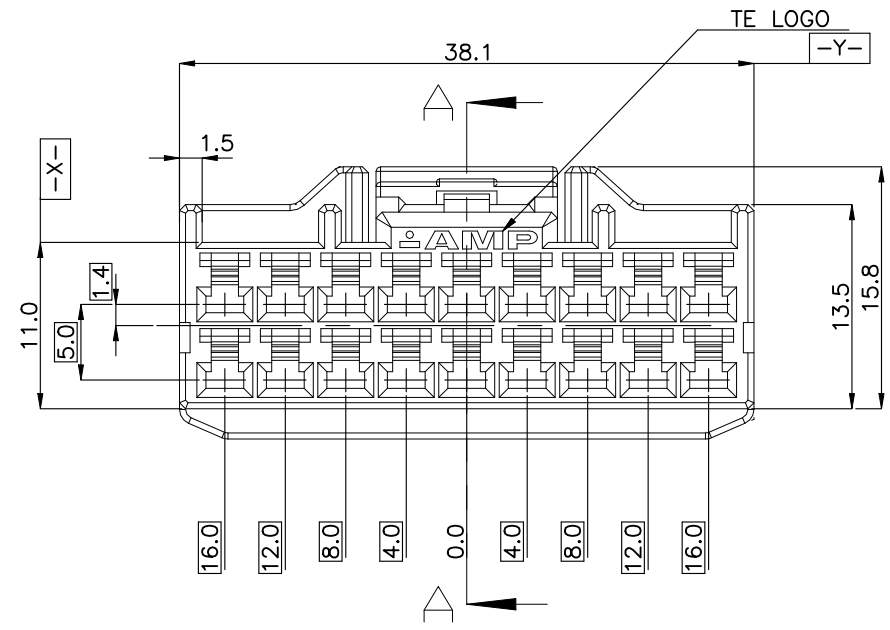
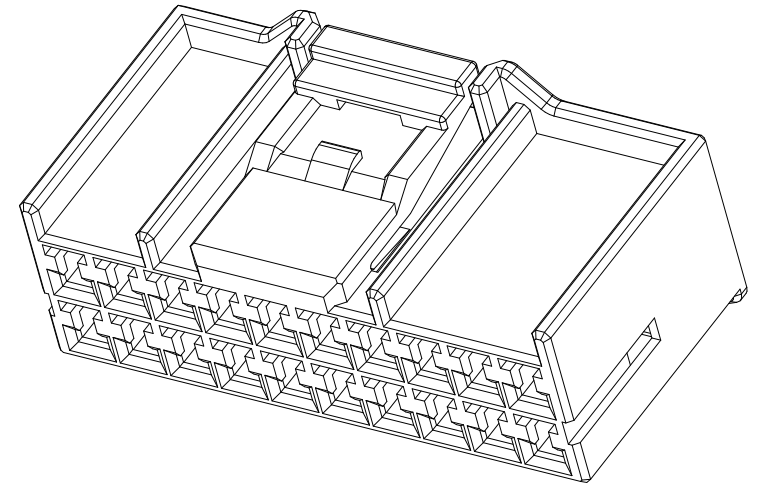


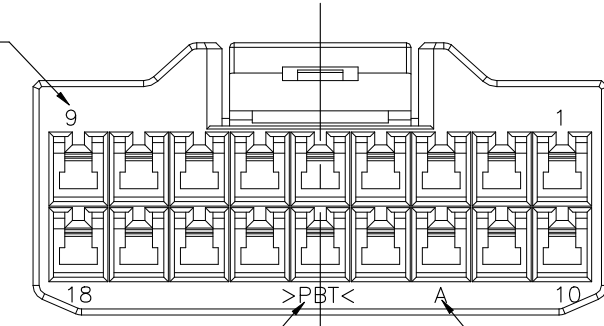
P	LTR	DESCRIPTION	DATE	DWN	APVD
B3		REVISED(ECR-22-135846)	13APR2022	HG	YJ



SECTION A-A



CIRCUIT NO.



MATERIAL MARK >PBT< CAVITY MARK A

OBSOLETE

ASSY P/N	QTY
0-936204-8	1
0-936204-7	1
0-936204-6	1
0-936204-5	1
0-936204-4	1
0-936204-3	1
0-936204-2	1
0-936204-1	1

TOLERANCES UNLESS OTHERWISE SPECIFIED:

0 <XX<10	± 0.2
10<XX<30	± 0.25
30<XX	± 0.3
ANGLES	± 3°

NO	COLOR	MATERIAL	DESCRIPTION	P/N	QTY
1	BLUE	PBT	PLUG	0-936205-8	1
1	GREEN	PBT	PLUG	0-936205-7	1
1	RED	PBT	PLUG	0-936205-6	1
1	YELLOW	PBT	PLUG	0-936205-5	1
1	BROWN	PBT	PLUG	0-936205-4	1
1	D/GRAY	PBT	PLUG	0-936205-3	1
1	BLACK	PBT	PLUG	0-936205-2	1
1	NATURAL	PBT	PLUG	0-936205-1	1
2	NATURAL	PBT	DBL	0-936206-1	1 1 1 1 1 1 1 1

- NOTES.
- THE MATING HSG. P/N ; 936213
 - APPLIED CONTACT P/N ;
090 II REC.- 368083,368084,368085
090 III REC.- 1743654,1743655,1743656,1897753,1897598
- 추가-
- 상대 하우징 P/N. ; 936213
 - 적용단자 P/N. ; 090 II REC.- 368083,368084,368085
090 III REC.- 1743654,1743655,1743656,1897753,1897598

THIS DRAWING IS A CONTROLLED DOCUMENT.

DIMENSIONS:	TOLERANCES UNLESS OTHERWISE SPECIFIED:
mm	
	0 PLC ± -
	1 PLC ± -
	2 PLC ± -
	3 PLC ± -
	4 PLC ± -
	ANGLES ± -
MATERIAL	FINISH
SEE TABLE	-

DWN	KT JUNG	TE Connectivity 090III 18P PLUG ASS'Y			
CHK	JW JUNG				
APVD	HG CHO				
PRODUCT SPEC					
APPLICATION SPEC		SIZE	CAGE CODE	DRAWING NO	RESTRICTED TO
WEIGHT	0	A3	00779	C-936204	-
CUSTOMER DRAWING		SCALE	1:1	SHEET	1 OF 1
				REV	B3