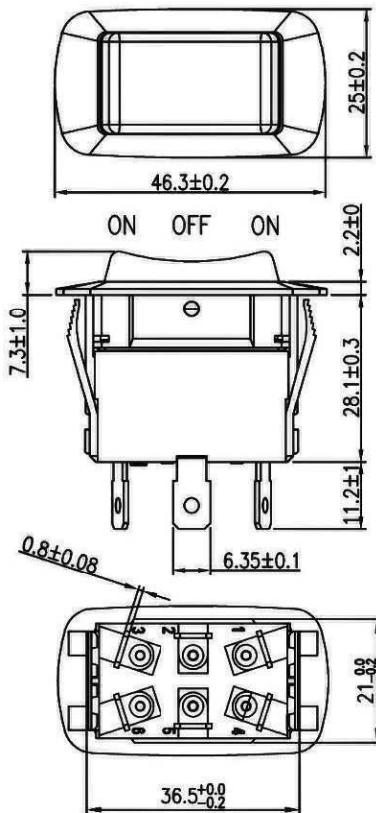
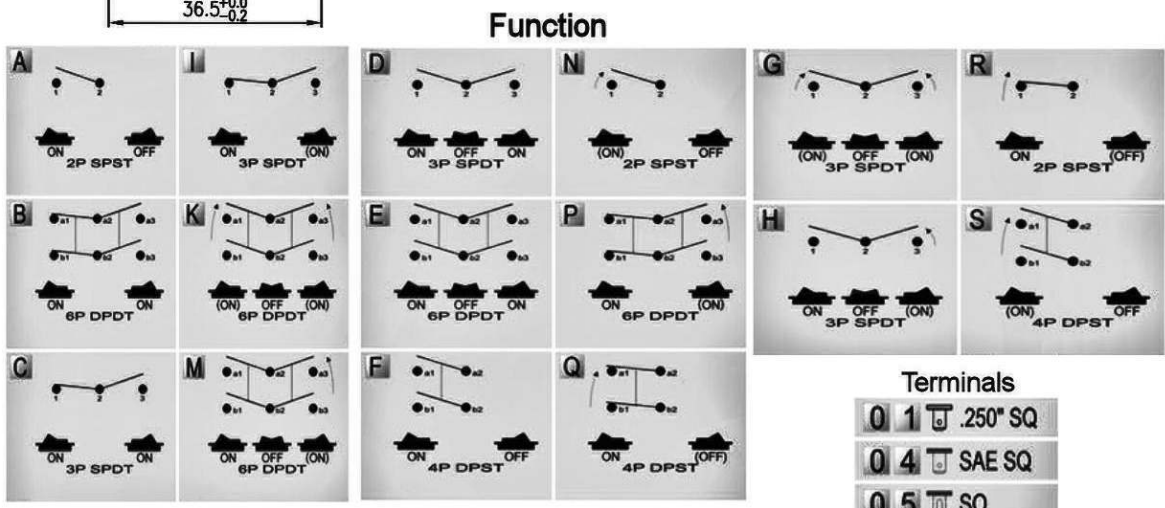
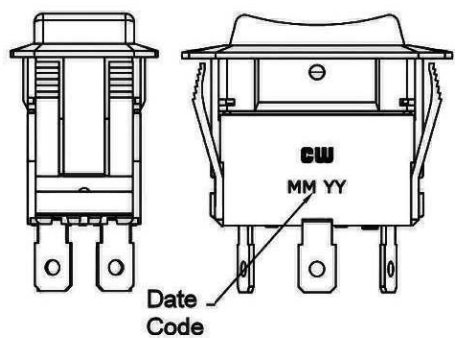


THIS INFORMATION IS CONFIDENTIAL AND PROPRIETARY TO CW INDUSTRIES INCORPORATED AND ITS AFFILIATES. IT MAY NOT BE DISCLOSED TO ANYONE, OTHER THAN CW INDUSTRIES PERSONNEL, WITHOUT WRITTEN AUTHORIZATION FROM CW INDUSTRIES INCORPORATED, SOUTHAMPTON, PENNSYLVANIA USA.

<b>Rating</b>	20A 125VAC 10A 250VAC 16A 125VAC 3/4HP <sub>US</sub> 10A 277VAC 3/4HP	<b>Mounting Hole</b>		<b>Circuit Diagram</b>	
	21A 14VDC				
<b>Contact Resistance</b>	50m ohm Max.			SEE CHART	
<b>Insulation Resistance</b>	DC 500V 100M ohm Min.				
<b>Dielectric Strength</b>	AC 1500V 1 minute	Thickness(mm)	X(mm)		Y(mm)
<b>Operation Temperature</b>	-20°~+85°	0.75~1.25	21.2±0.1		36.6 <sup>+0.2</sup> <sub>-0.2</sub>
<b>Switch Function</b>	SEE CHART	1.25~2.0			36.8 <sup>+0.2</sup> <sub>-0.2</sub>
		2.0~3.0		37.0 <sup>+0.2</sup> <sub>-0.2</sub>	



Frames are Nylon with glass fiber (UL flame: 94HB).  
 Terminals are Silver plated brass.  
 Illuminated actuators are molded in PC, available in Red, Amber or Green Colors.  
 Waterproof and dustproof to fit IP-56.



**Terminals**

0 1	□	.250" SQ
0 4	□	SAE SQ
0 5	□	S0
0 8	□	SC 6-32UNC



RoHS Compliant

**CW INDUSTRIES**  
 Southampton, Pa. 18966  
 Tel 215.355.7080/www.cwind.com

Date Drawn: 1/21/11

Rev. 0

Unit: mm

Checked By: G.Guld

Title: **ROCKER SWITCH**

CW P/N: **GRB260XXSERIES**