

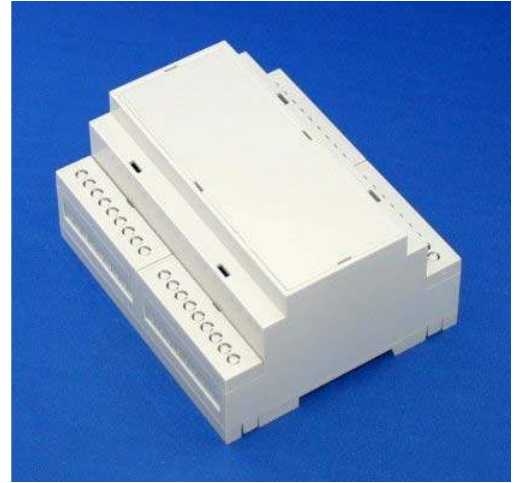
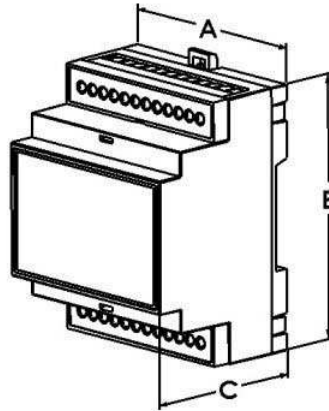


PRODUCTS

Large Cabinet Racks
Communications Cabinets/Racks

- ▶
- ▶
- ▶ Cabinets
- ▶ Open Racks
- ▶ Chassis
- ▶ Small Metal Enclosures
- ▶ Die Cast Boxes
- ▶ Plastic Boxes
- ▶ NEMA Boxes (Water-tight Plastic and Fiberglass)
- ▶ NEMA Boxes (Water-tight Sheet Metal)
- ▶ NEMA Boxes (Water-tight Aluminum)
- ▶ Accessories
- ▶ Brackets
- ▶ Custom Products

DIN Rail Mount Multi-Board Box




Plastic PC mount terminal boxes with DIN rail mounting and snap-in multiple board capacity with easy access to board terminals.


Design Features

- Durable UL94V-0 rated ABS/PC blend plastic housing
- Three levels of PC board mounting locations - PC boards not supplied
- Bottom level accepts PC board with modular type terminals on 0.2" centers
- Removable terminal guards have snap-off tabs to match number of terminals used
- Snap-fit design allows tool-less assembly of all parts including PC boards
- Snap-fit front cover is easily removable for machining or silk-screening
- Optional clear and infra red polycarbonate covers available
- Fits standard 35mm DIN rail
- Finish: Light Gray



DIN RAIL MOUNT MULTI-BOARD BOX									
Catalog Number	Drawings	Number of PCB Terminals*	External Dimensions (Inches)			Weight Ozs.	Optional Clear Front Cover	Optional Infra Red Front Cover	Replacement Terminal Guards (Pair)
			A	B	C				
DMB-4770	PDF DXF	12 (6/6)	1.43	3.55	2.25	1.5	DMB-4770-CC	DMB-4770-IRC	DMB-4760-TG
DMB-4771	PDF DXF	18 (9/9)	2.10	3.55	2.25	1.9	DMB-4771-CC	DMB-4771-IRC	DMB-4761-TG
DMB-4772	PDF DXF	24 (12/12)	2.80	3.55	2.26	2.3	DMB-4772-CC	DMB-4772-IRC	DMB-4762-TG
DMB-4773	PDF DXF	36 (9x2)/(9x2)	4.18	3.55	2.26	3.3	DMB-4773-CC	DMB-4773-IRC	DMB-4761-TG

DMB-4774		54 (9x3)/(9x3)	6.28	3.55	2.26	4.6	DMB-4774-CC	DMB-4774-IRC	DMB-4761-TG
Replacement Mounting Clip: DMB-4764-MC									
* PCB and PCB terminals not supplied.									

 Autocad DXF Specifications File
(Requires CAD software such as AutoCAD)

 Adobe PDF Specifications File



[Download PDF Viewer](#)



4605 E. 355th Street • Willoughby, Ohio 44094
Phone: 440.946.3200 • Fax: 440.951.4015
email: saleseast@budind.com

[HOME](#) / [ABOUT US](#) / [PRODUCTS](#) / [DISTRIBUTORS](#) / [REPRESENTATIVES](#) / [WHAT'S NEW](#) / [CONTACT](#)
[RoHS LIST](#) / [STANDARD COLORS](#) / [WARRANTY](#)