

THIS DRAWING IS UNPUBLISHED.

RELEASED FOR PUBLICATION

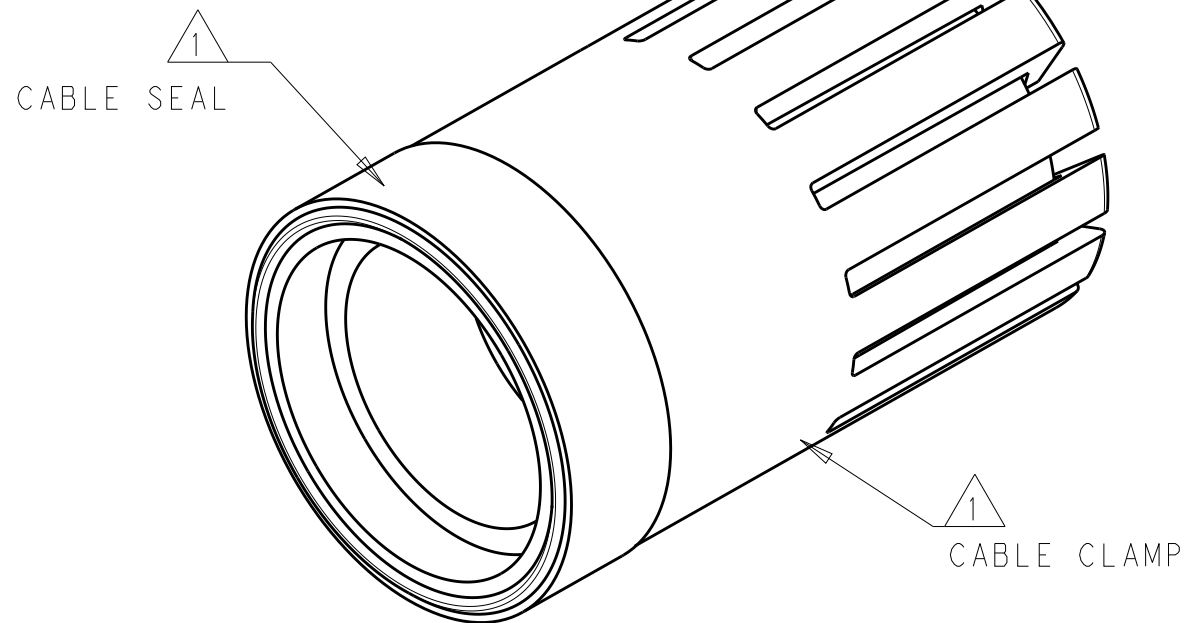
20

© COPYRIGHT 20 BY -

ALL RIGHTS RESERVED.

REVISIONS

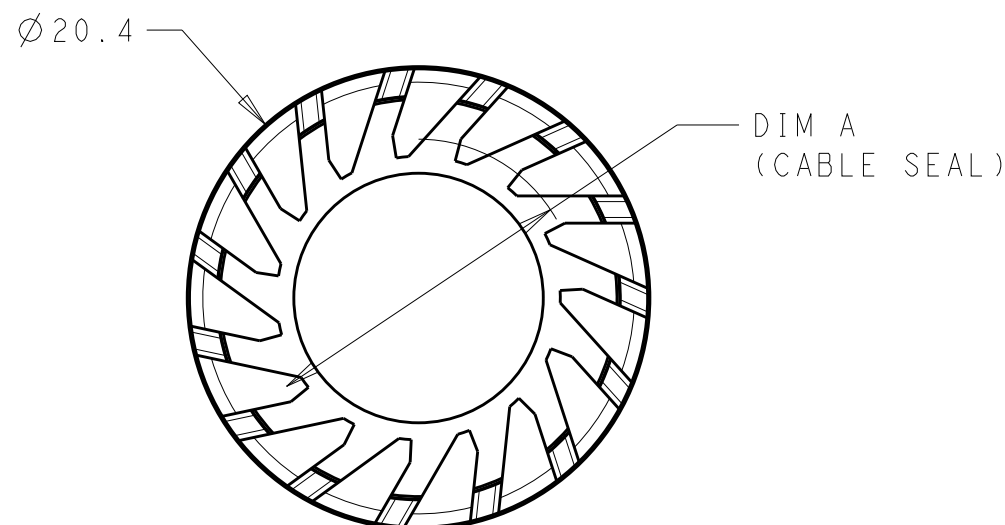
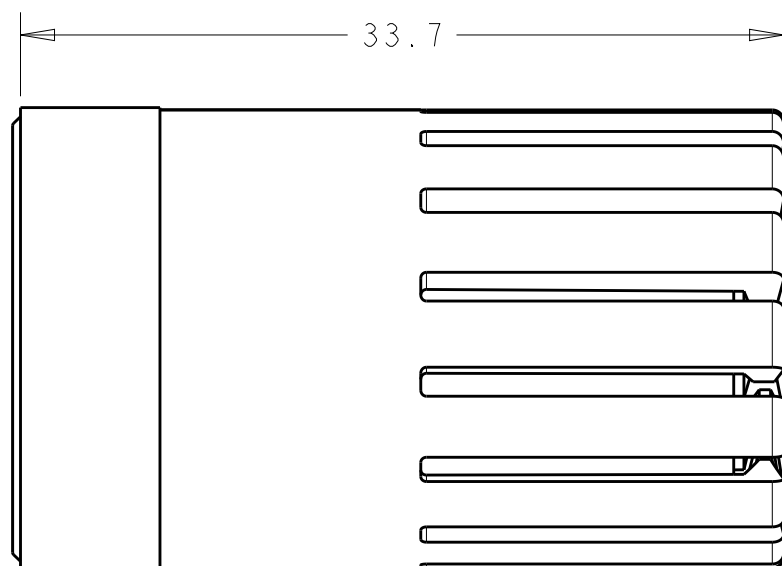
P	LTR	DESCRIPTION	DATE	DWN	APVD
	A	REVISED PER ECR-15-002016	10FEB2015	RS	LJ



NOTES:

- 1 MATERIALS:
 CABLE SEAL - THERMOPLASTIC ELASTOMER (TPE),
 COLOR BLACK
 CABLE CLAMP - GLASS FILLED PBT,
 COLOR BLACK

- 2. MUST COMPLY WITH DIRECTIVE 2002/95/EC (ROHS).
- 3. THIS PRODUCT HAS NOT COMPLETED VALIDATION TESTING.



11mm - 14mm	14.0mm	2213410-2
8mm - 11mm	11.0mm	2213410-1
CABLE DIA RANGE	DIM A	PART NO.

THIS DRAWING IS A CONTROLLED DOCUMENT.

DIMENSIONS:	TOLERANCES UNLESS OTHERWISE SPECIFIED:
mm	
	0 PLC ±-
	1 PLC ±0.2
	2 PLC ±0.13
	3 PLC ±-
	4 PLC ±-
	ANGLES ±3°
MATERIAL TBD	FINISH -

DWN	J. SHAFER	24MAR2014
CHK	M. LUKSIC	24MAR2014
APVD	M. LUKSIC	24MAR2014
PRODUCT SPEC	108-133014	
APPLICATION SPEC	114-32111	
WEIGHT	-	
Customer Drawing		



NAME CABLE CLAMP/SEAL ASSY SEALED, NECTOR 3 POSN			
SIZE	CAGE CODE	DRAWING NO	RESTRICTED TO
A3	-	©-2213410	-
SCALE 1:1		SHEET 1 OF 1	REV A