

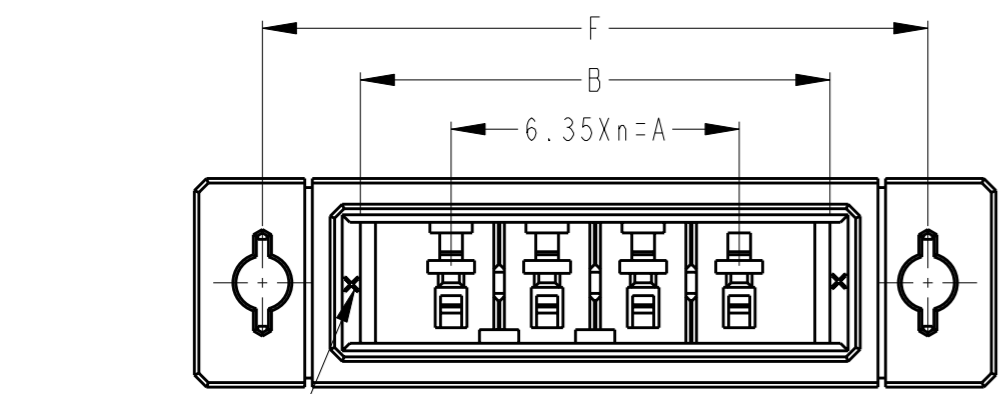
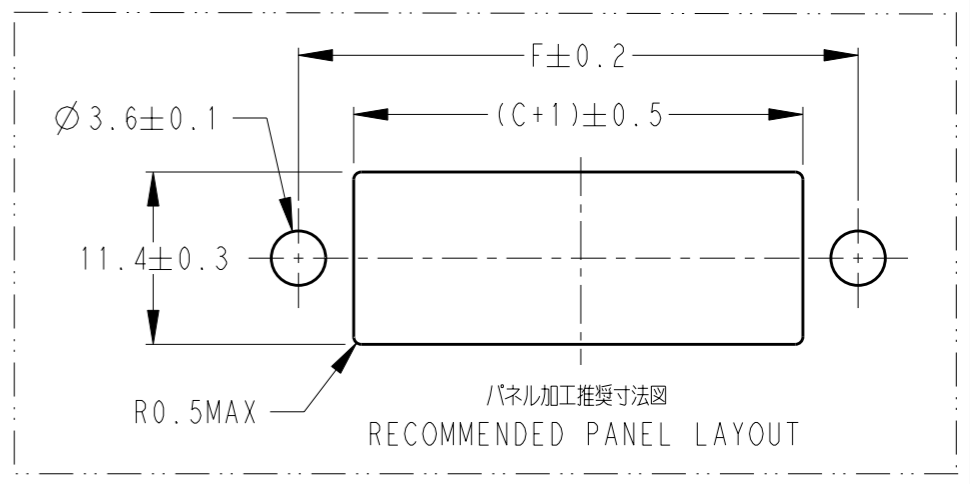
THIS DRAWING IS UNPUBLISHED. RELEASED FOR PUBLICATION 2004
 © COPYRIGHT 2004 ALL RIGHTS RESERVED.

LOC	DIST	REVISIONS			
P	LTR	DESCRIPTION	DATE	DWN	APVD
	C	REVISED	25AUG2010	HMR	T.M
	D	REVISED	11MAY2011	M.M	N.Y

AS SHOWN : 1-1747535-4(4POS:X-KEY)

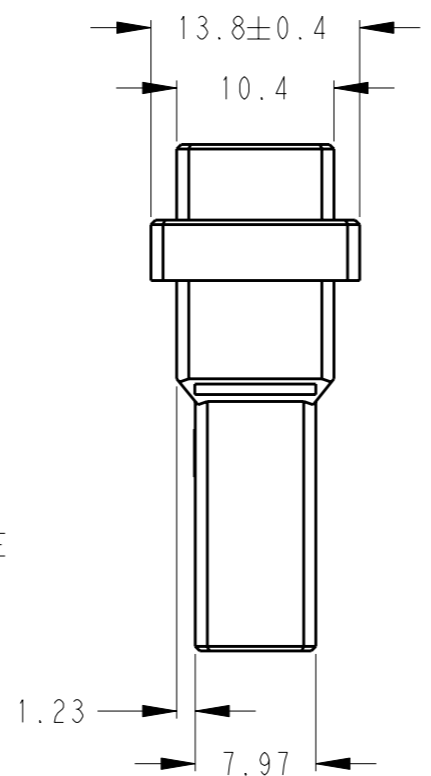
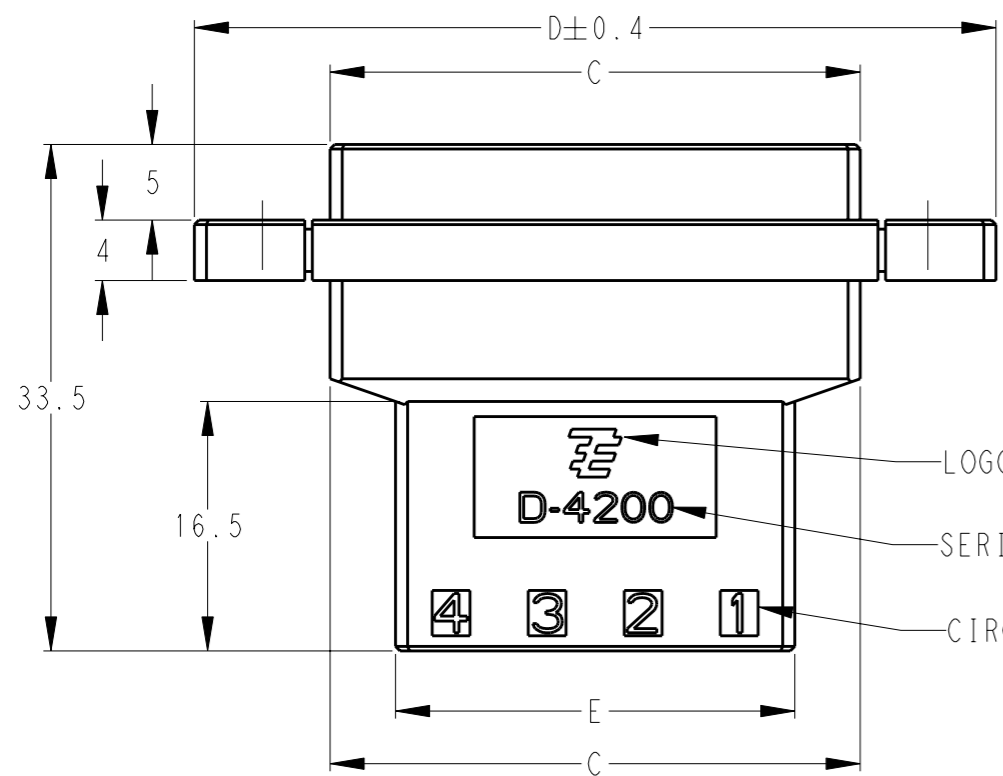
- 1. 材料: ガラス入り熱可塑性ポリエステル樹脂(94V-0), 色: 黒
- 2. パネル取り付け推奨ネジはM3

- 1. MATERIAL: GLASS FILED THERMO PLASTIC POLYESTER(94V-0), COLOR: BLACK
- 2. PANEL ATTACHMENT RECOMMENDATION M3 SCREW

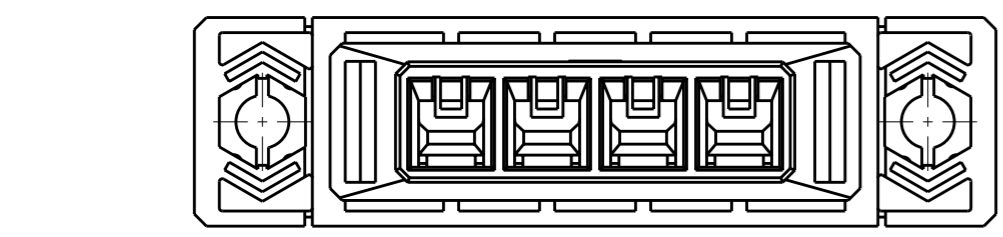


KEYING: X OR Y
 X: 1- □
 Y: 2- □

KEY LOCATION VIEW



POS	KEY	KEY LOCATION	n	A	B	C	D	E	F	PART NO
4	Y		3	19.05	31.05	35.05	53.00	26.40	44.00	2-1747535-4
4	X		3	19.05	31.05	35.05	53.00	26.40	44.00	1-1747535-4
3	Y		2	12.70	24.70	28.70	46.00	20.05	37.00	2-1747535-3
3	X		2	12.70	24.70	28.70	46.00	20.05	37.00	1-1747535-3
2	Y		1	6.35	18.35	22.35	40.00	13.70	31.00	2-1747535-2
2	X		1	6.35	18.35	22.35	40.00	13.70	31.00	1-1747535-2



THIS DRAWING IS A CONTROLLED DOCUMENT.

DWN T. KUDO 26AUG2004
 CHK D. MITSUGI 26AUG2004
 APVD D. MITSUGI 26AUG2004

PRODUCT SPEC 108-78182
 APPLICATION SPEC 114-5369
 WEIGHT

STE TE Connectivity

NAME DYNAMIC D4200S 6.35mm PITCH TAB HSG, PANEL MOUNT TYPE 2-4POS

SIZE A3 CAGE CODE 00779 DRAWING NO C-1747535 RESTRICTED TO

MATERIAL FINISH CUSTOMER DRAWING SCALE 2:1 SHEET 1 OF 1 REV D