

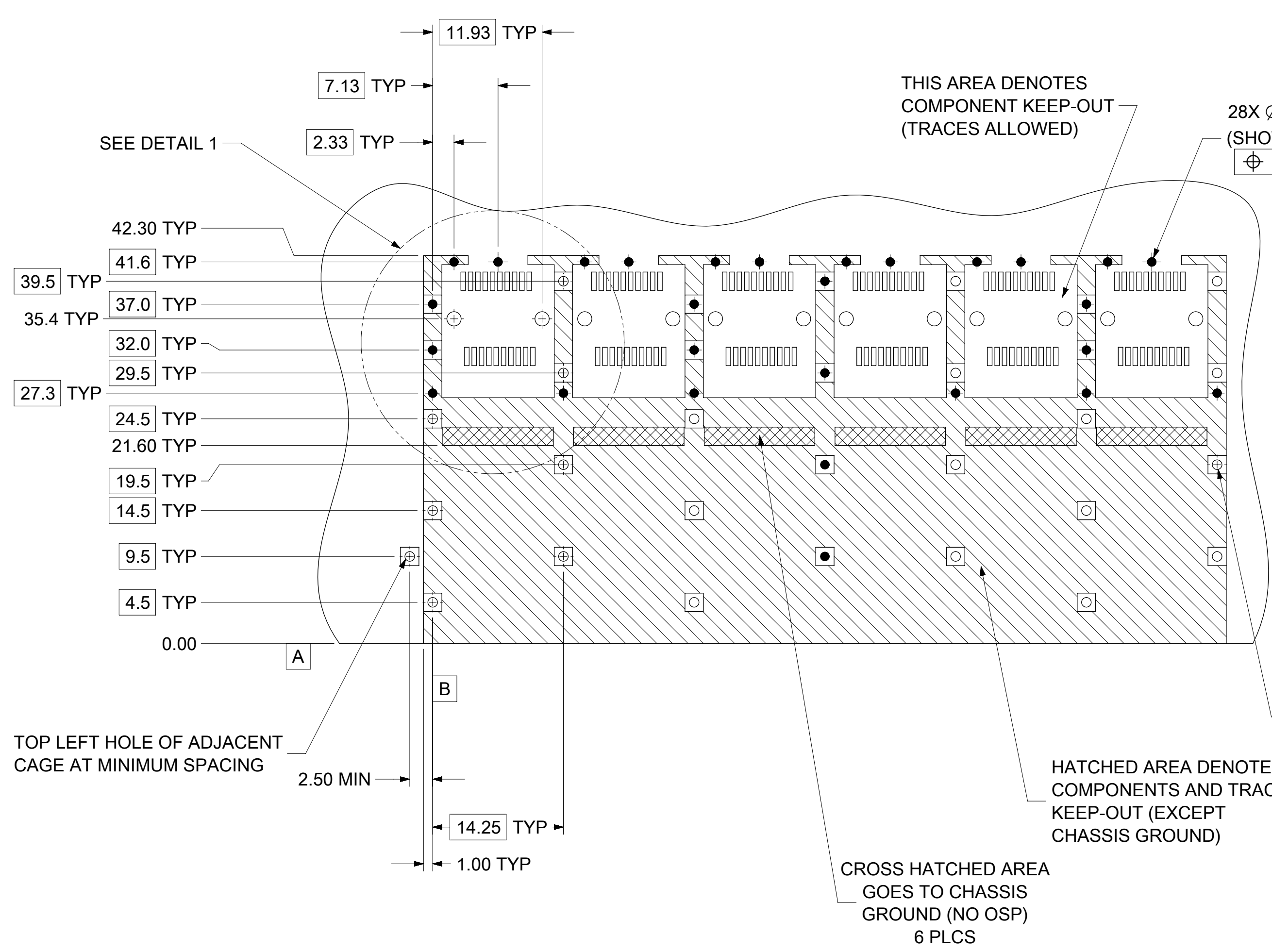
PN/DATE CODE TO BE PRINTED ON THE SIDE OF COMPLETED CAGE ASSEMBLY APPROXIMATELY AS SHOWN.

WEEK/YEAR DATE CODE TABLE	
WW	WEEK 01 THRU 52 OR 53 EXAMPLE: 01 = FIRST WEEK OF YEAR 52 = LAST WEEK OF YEAR
YY	22, 23, 24, ETC. EXAMPLE: YEAR 2022 = 22

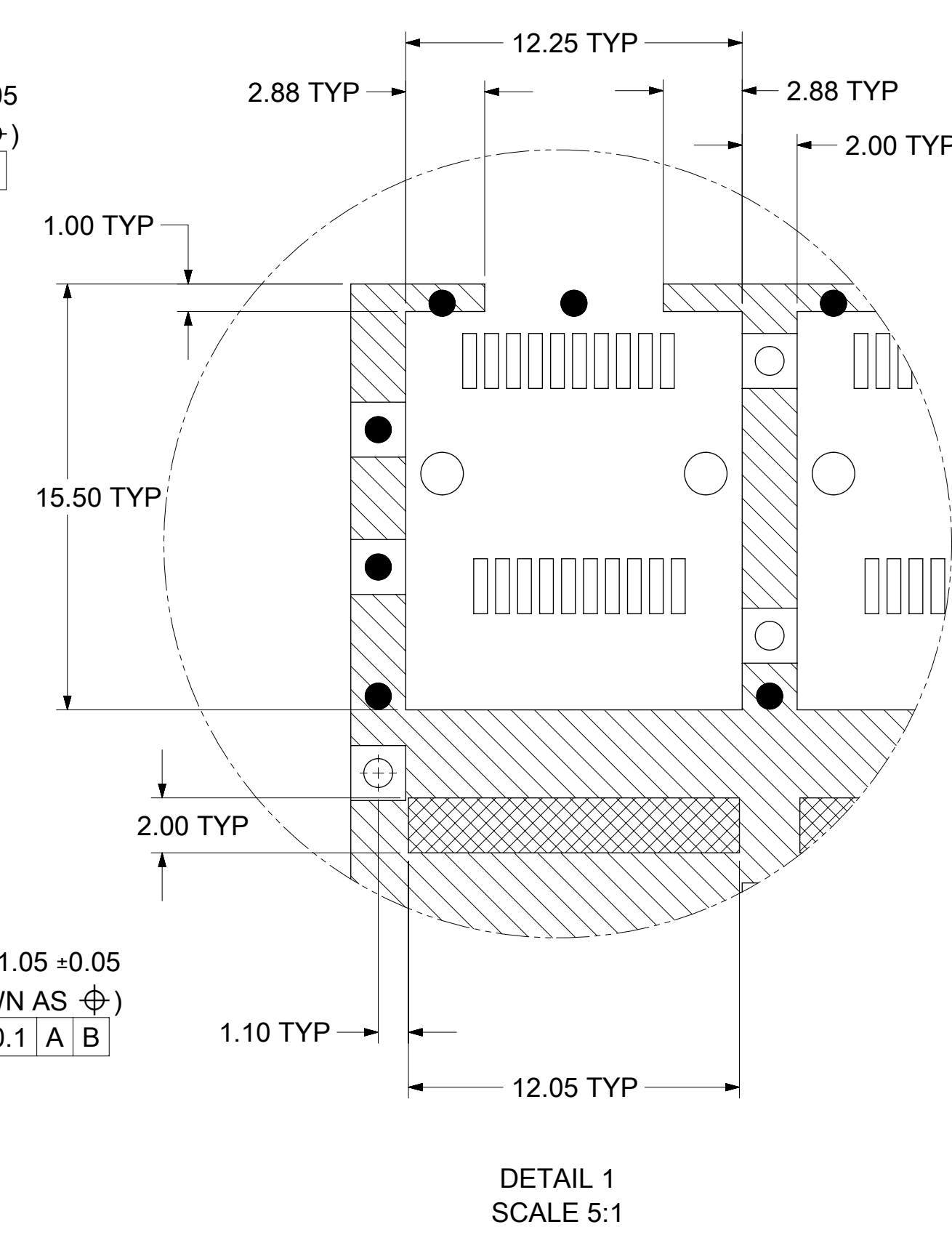
- NOTES:
- MATERIAL:
 CAGE: 0.25mm THICK COPPER ALLOY, NICKEL PLATED.
 SPRING FINGERS: STAINLESS STEEL.
 HEATSINK: ALUMINUM, NICKEL PLATED.
 HEATSINK SPRING CLIP: STAINLESS STEEL.
 - PRESS FIT LEGS 3.05mm LONG:
 - PORTS ARE DESIGNED FOR SFP+ TRANSCEIVERS AND ARE COMPATIBLE WITH SFP TRANSCEIVERS. THE TOP SURFACE OF THE MODULE MUST BE FLAT (NO PRODUCT LABEL RECESS) AND THERMALLY CONDUCTIVE TO FUNCTION OPTIMALLY.
 - WELD SPOT MAY SHOW SLIGHT MATERIAL DISCOLORATION.
 - NO RoHS EXEMPTIONS.
 - HEIGHT OF HEATSINK WITH MODULE INSERTED. DIMENSION MAY BE LESS DUE TO MODULE AND HEATSINK VARIATIONS.

FUNCTIONAL SYMBOLS		THIS DRAWING CONTAINS INFORMATION THAT IS PROPRIETARY TO MOLEX ELECTRONIC TECHNOLOGIES, LLC AND SHOULD NOT BE USED WITHOUT WRITTEN PERMISSION		CURRENT REV DESC: SEE REVISION TABLE							
$\nabla_A = 0$	mm	SCALE	2:1	EC NO: 707054				ZSFP+ 1X6 CAGE ASSEMBLY PRESS FIT, HEAT SINKS, WITH SUS EMI SPRING FINGERS			
$\nabla_E = 0$	GENERAL TOLERANCES (UNLESS SPECIFIED)		4 PLACES ±		DRWN: PKH 2022/04/12		PRODUCT CUSTOMER DRAWING				
$\nabla_P = 0$	ANGULAR TOL ± 1.0°		3 PLACES ±		CHK'D: TKUMARKC 2022/05/20				DOCUMENT NUMBER 1001158681		
DIVISIONAL SYMBOLS		2 PLACES ± 0.15		APPR: SCHIEN 2022/05/23		DOC TYPE		DOC PART			REVISION
		1 PLACE ± 0.25		INITIAL REVISION:		MATERIAL NUMBER		CUSTOMER		SHEET NUMBER	
		0 PLACES ±		DRWN: PKH 2022/04/12		1001158681				1 OF 6	
		DRAFT WHERE APPLICABLE MUST REMAIN WITHIN DIMENSIONS		APPR: SCHIEN 2022/05/23		THIRD ANGLE PROJECTION		DRAWING		SERIES	
				C-SIZE		100115					

PCB LAYOUT FOR SINGLE SIDE MOUNT



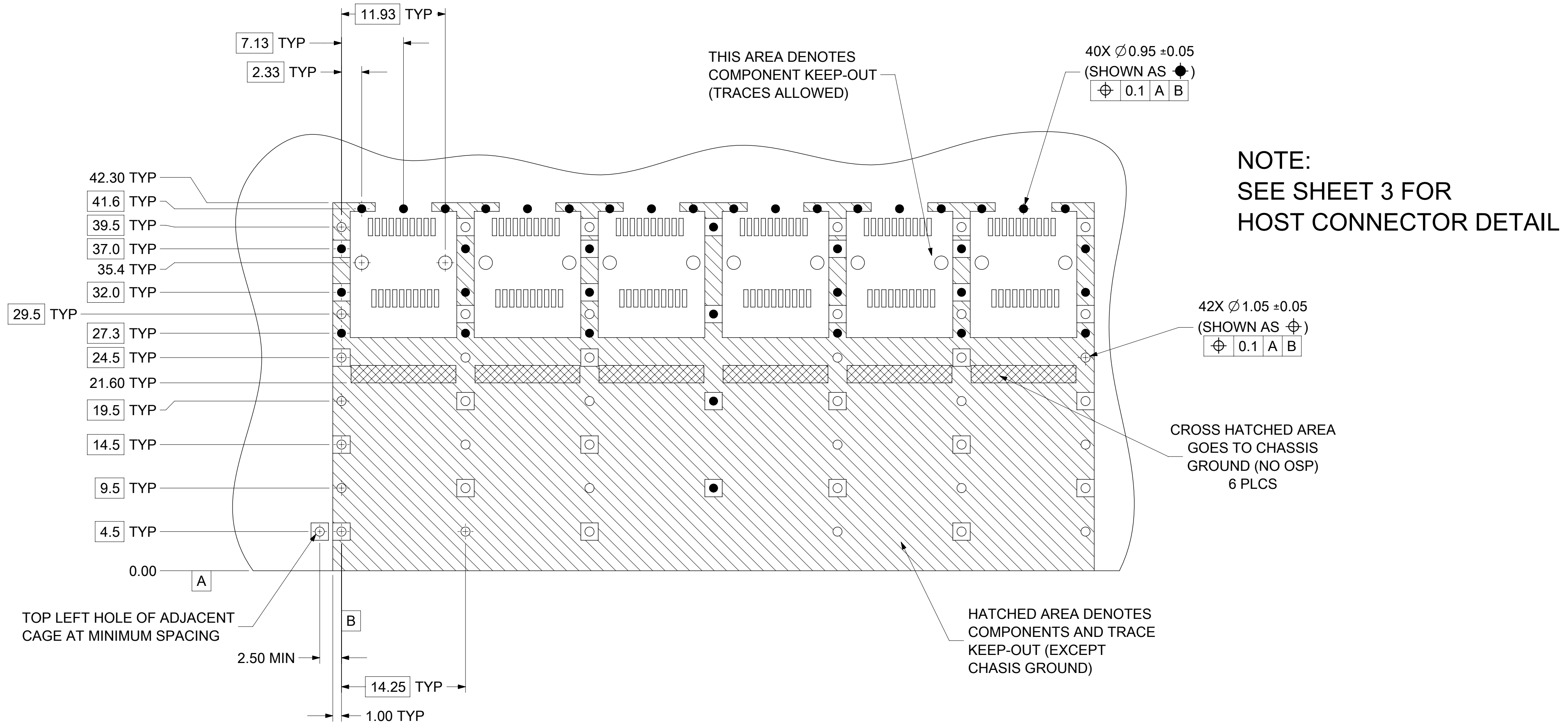
HOST CONNECTOR DETAIL



- NOTES:
- PADS AND VIAS CONNECT TO CHASSIS GROUND (RECOMMEND PADS TO BE 2.00mm SQUARE)
 - RECOMMENDED THRU HOLE PLATING INCLUDES HASL, OSP, OR IMMERSION (GOLD, SILVER, OR TIN).
 - CONNECTOR PAD LAYOUT PER SFP+ MSA WILL ACCOMMODATE MOLEX CONNECTOR SERIES 74441 OR EQUIVALENT.
 - HOLE PATTERN REPEATS FOR EACH PORT. SPACING BETWEEN PORTS IS 14.25mm.
 - MIN PCB THICKNESS FOR SINGLE SIDED USE: 1.57mm

FUNCTIONAL SYMBOLS	THIS DRAWING CONTAINS INFORMATION THAT IS PROPRIETARY TO MOLEX ELECTRONIC TECHNOLOGIES, LLC AND SHOULD NOT BE USED WITHOUT WRITTEN PERMISSION		CURRENT REV DESC: SEE REVISION TABLE	
	DIMENSION UNITS	SCALE		
$\frac{F}{A} = 0$	mm	2.5:1		
$\frac{F}{C} = 0$	GENERAL TOLERANCES (UNLESS SPECIFIED)			
	ANGULAR TOL $\pm 1.0^\circ$			
DIVISIONAL SYMBOLS	4 PLACES	\pm	EC NO: 707054	
	3 PLACES	\pm	DRWN: PKH	2022/04/12
	2 PLACES	± 0.15	CHK'D: TKUMARKC	2022/05/20
	1 PLACE	± 0.25	APPR: SCHIEN	2022/05/23
0 PLACES	\pm	INITIAL REVISION:		
DRAFT WHERE APPLICABLE MUST REMAIN WITHIN DIMENSIONS		THIRD ANGLE PROJECTION	DRAWING	SERIES
			C-SIZE	100115
DOCUMENT STATUS		P1	RELEASE DATE	2022/05/23 11:20:25
DOCUMENT NUMBER		CUSTOMER		SHEET NUMBER
1001158681		1001158681		3 OF 6
DOC TYPE		DOC PART	REVISION	
PSD		ASY	A	

PCB LAYOUT FOR BELLY TO BELLY MOUNTING

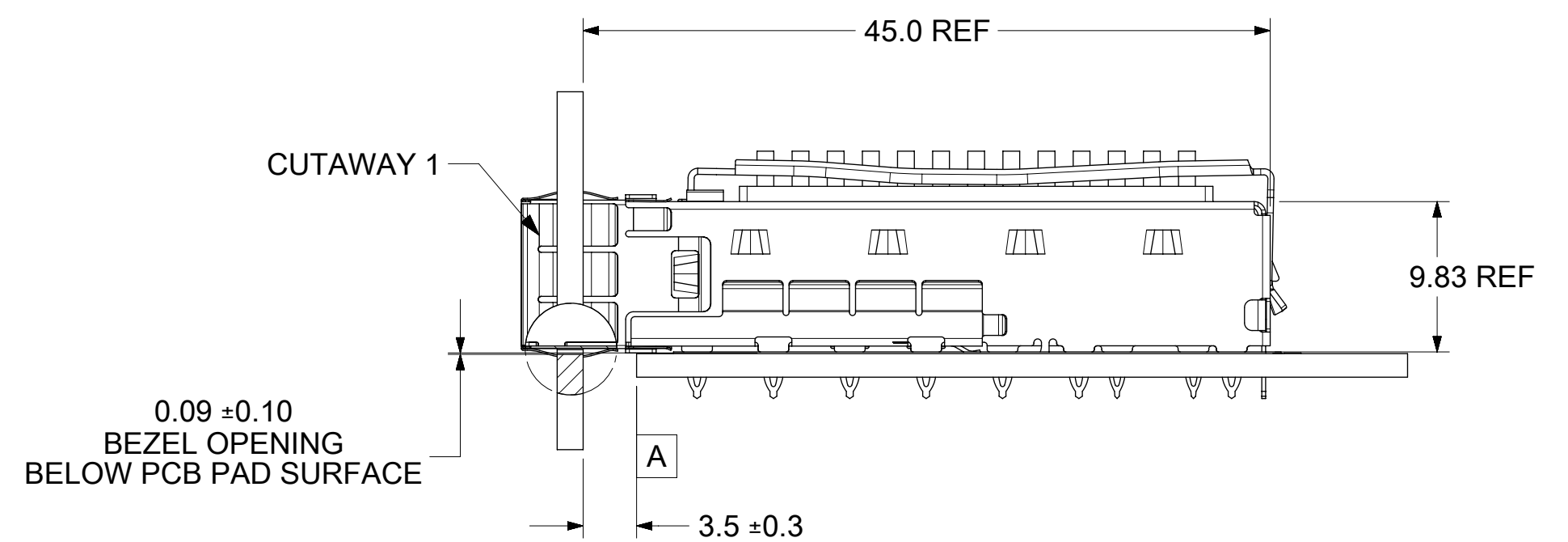
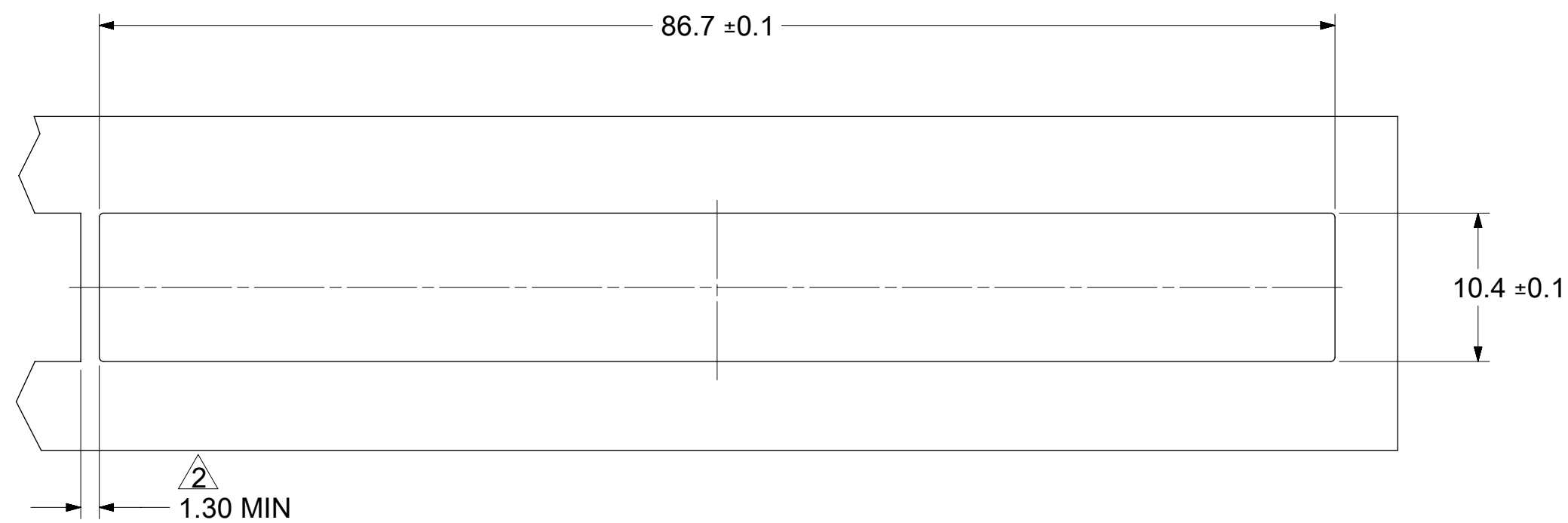


- NOTES:
1. PADS AND VIAS CONNECT TO CHASSIS GROUND (RECOMMEND PADS TO BE 2.00mm SQUARE)
 2. RECOMMENDED THRU HOLE PLATING INCLUDES HASL, OSP, OR IMMERSION (GOLD, SILVER, OR TIN).
 3. CONNECTOR PAD LAYOUT PER SFP+ MSA WILL ACCOMMODATE MOLEX CONNECTOR SERIES 74441 OR EQUIVALENT.
 4. HOLE PATTERN REPEATS FOR EACH PORT. SPACING BETWEEN PORTS IS 14.25mm.
 5. MIN PCB THICKNESS FOR BELLY TO BELLY USE: 3.00mm

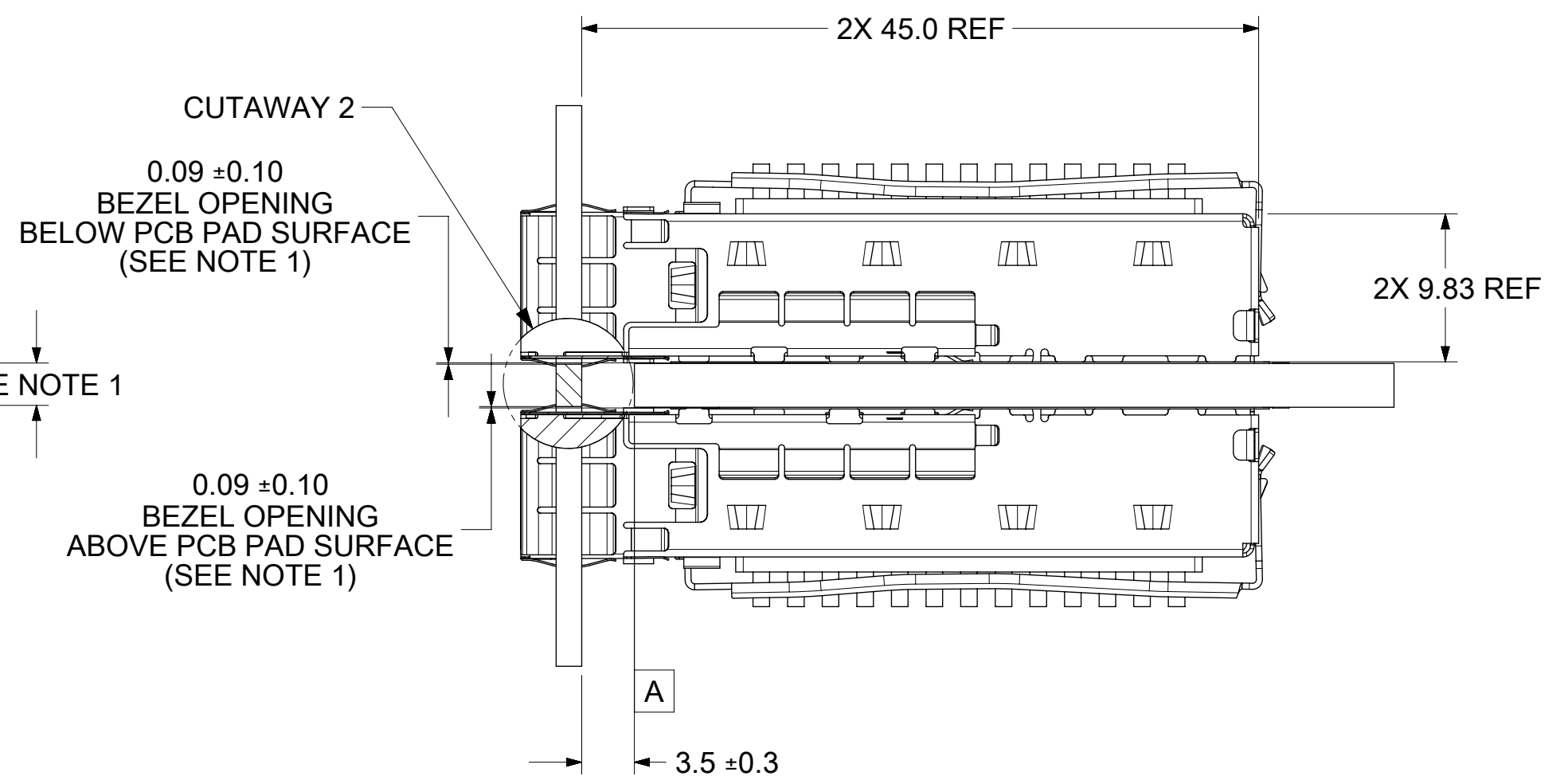
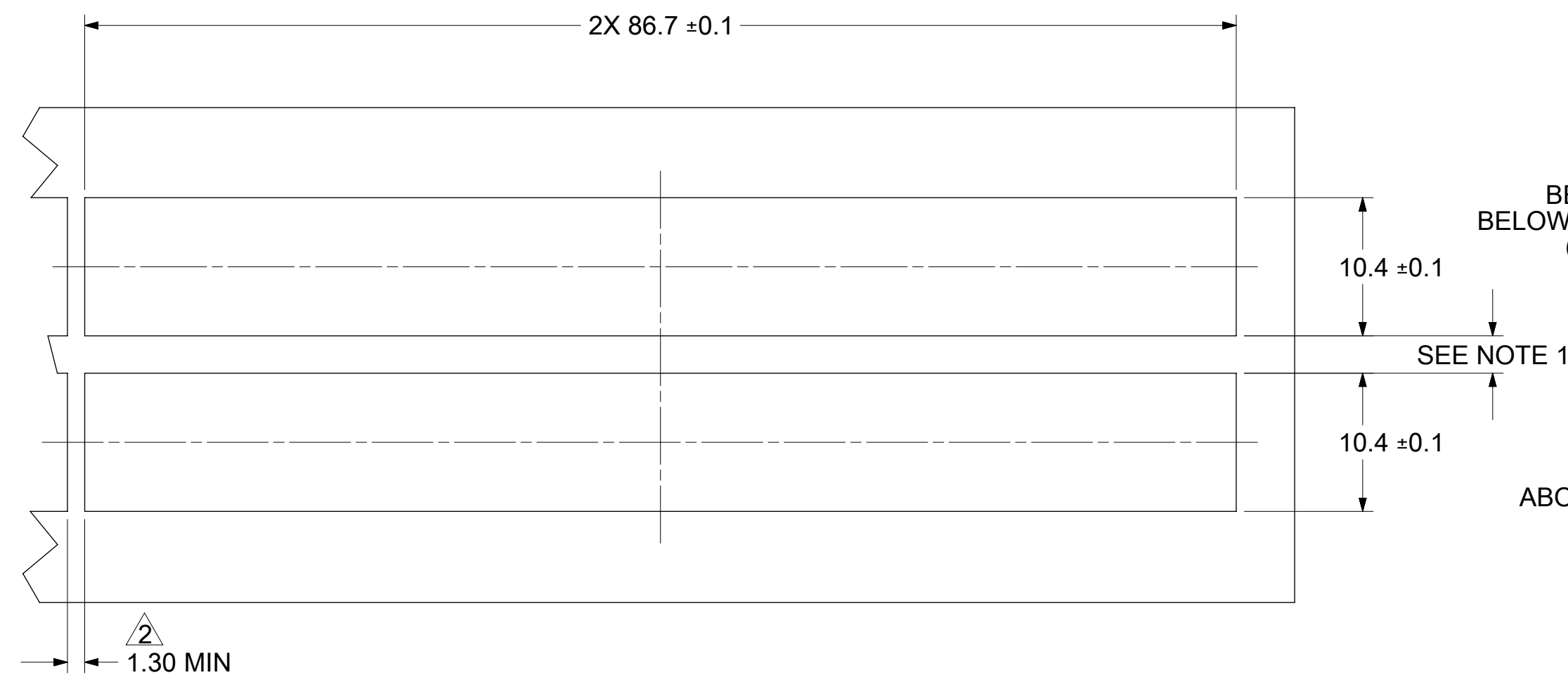
THIS DRAWING CONTAINS INFORMATION THAT IS PROPRIETARY TO MOLEX ELECTRONIC TECHNOLOGIES, LLC AND SHOULD NOT BE USED WITHOUT WRITTEN PERMISSION									
FUNCTIONAL SYMBOLS	DIMENSION UNITS	SCALE	CURRENT REV DESC: SEE REVISION TABLE						
$\frac{F}{A} = 0$	mm	3:1	molex ZSFP+ 1X6 CAGE ASSEMBLY PRESS FIT, HEAT SINKS, WITH SUS EMI SPRING FINGERS PRODUCT CUSTOMER DRAWING						
$\frac{F}{C} = 0$	GENERAL TOLERANCES (UNLESS SPECIFIED)								
$\frac{F}{P} = 0$	ANGULAR TOL $\pm 1.0^\circ$								
DIVISIONAL SYMBOLS	4 PLACES \pm	3 PLACES \pm	2 PLACES ± 0.15	1 PLACE ± 0.25	0 PLACES \pm	EC NO: 707054	DRWN: PKH	2022/04/12	2022/05/20
						CHK'D: TKUMARKC	APPR: SCHIEN	2022/05/23	
						INITIAL REVISION:	DRWN: PKH	2022/04/12	2022/05/23
						APPR: SCHIEN			
DRAFT WHERE APPLICABLE MUST REMAIN WITHIN DIMENSIONS	THIRD ANGLE PROJECTION	DRAWING	SERIES	MATERIAL NUMBER	CUSTOMER	DOCUMENT NUMBER	DOC TYPE	DOC PART	REVISION
		C-SIZE	100115	1001158681		1001158681	PSD	ASY	A
									SHEET NUMBER
									4 OF 6

DOCUMENT STATUS	P1	RELEASE DATE	2022/05/23	11:20:25
-----------------	----	--------------	------------	----------

BEZEL AND BOARD POSITION DIMENSIONS FOR SINGLE SIDE MOUNTING



BEZEL AND BOARD POSITION DIMENSIONS FOR BELLY TO BELLY MOUNTING



NOTE:
 1. PCB THICKNESS VARIATION MUST BE CONSIDERED WHEN DETERMINING BEZEL OPENING LOCATION.
 THIS DIMENSION IS FOR REFERENCE ONLY. USER CAN MODIFY IT DEPENDS ON APPLICATION.
 (THIS DIMENSION VARIES BASED ON DISTANCE OF "HOLE OF ADJACENT CAGE" ON PCB LAYOUT.)

FUNCTIONAL SYMBOLS	THIS DRAWING CONTAINS INFORMATION THAT IS PROPRIETARY TO MOLEX ELECTRONIC TECHNOLOGIES, LLC AND SHOULD NOT BE USED WITHOUT WRITTEN PERMISSION		CURRENT REV DESC: SEE REVISION TABLE		
	DIMENSION UNITS	SCALE			
$\frac{F}{A} = 0$	mm	2.5:1			ZSFP+ 1X6 CAGE ASSEMBLY PRESS FIT, HEAT SINKS, WITH SUS EMI SPRING FINGERS
$\frac{F}{C} = 0$	GENERAL TOLERANCES (UNLESS SPECIFIED)				
$\frac{F}{P} = 0$	ANGULAR TOL ± 1.0°				PRODUCT CUSTOMER DRAWING
DIVISIONAL SYMBOLS	4 PLACES	±	EC NO: 707054	2022/04/12	
	3 PLACES	±	DRWN: PKH	2022/05/20	
	2 PLACES	± 0.15	CHK'D: TKUMARKC	2022/05/23	
	1 PLACE	± 0.25	APPR: SCHIEN		
	0 PLACES	±	INITIAL REVISION:		
	DRAFT WHERE APPLICABLE MUST REMAIN WITHIN DIMENSIONS		DRWN: PKH	2022/04/12	DOCUMENT NUMBER
	THIRD ANGLE PROJECTION		APPR: SCHIEN	2022/05/23	1001158681
	DRAWING		SERIES	MATERIAL NUMBER	CUSTOMER
	C-SIZE		100115	1001158681	
					SHEET NUMBER
					5 OF 6

