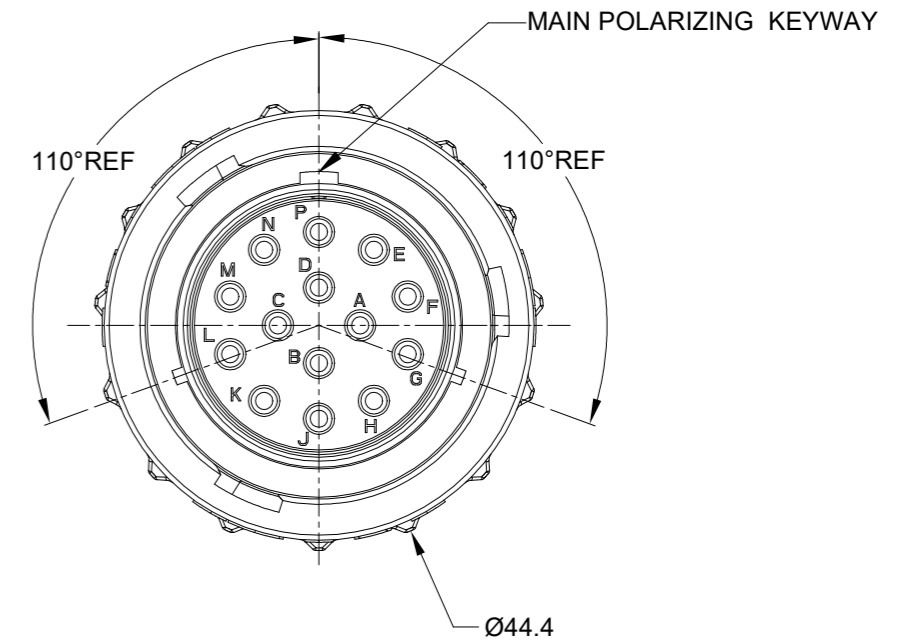
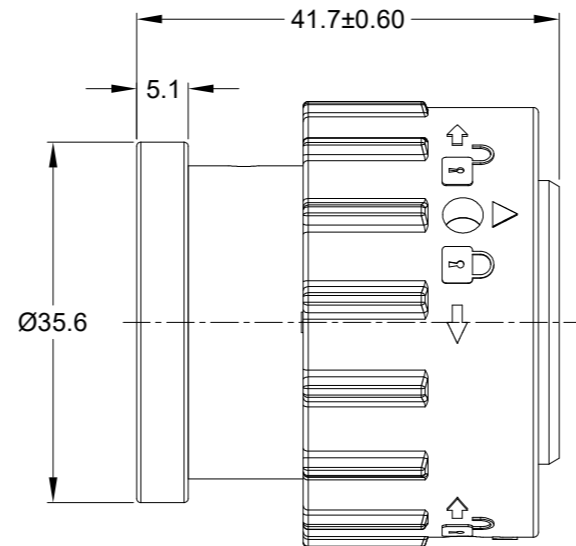
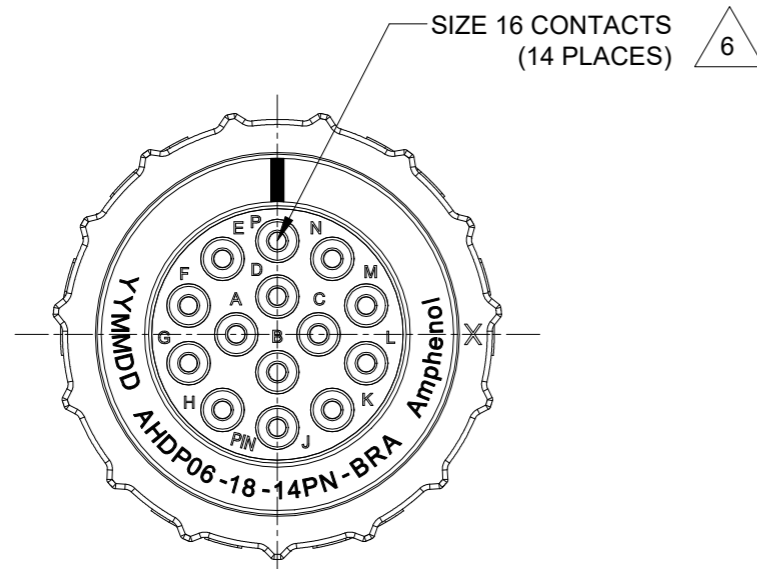


| REVISIONS |     |                     |           |      |       |
|-----------|-----|---------------------|-----------|------|-------|
| REV       | ECO | DESCRIPTION         | DATE      | BY   | APPR  |
| A1        | -   | RELEASE NEW DRAWING | 30/MAR/22 | MILO | TOMMY |

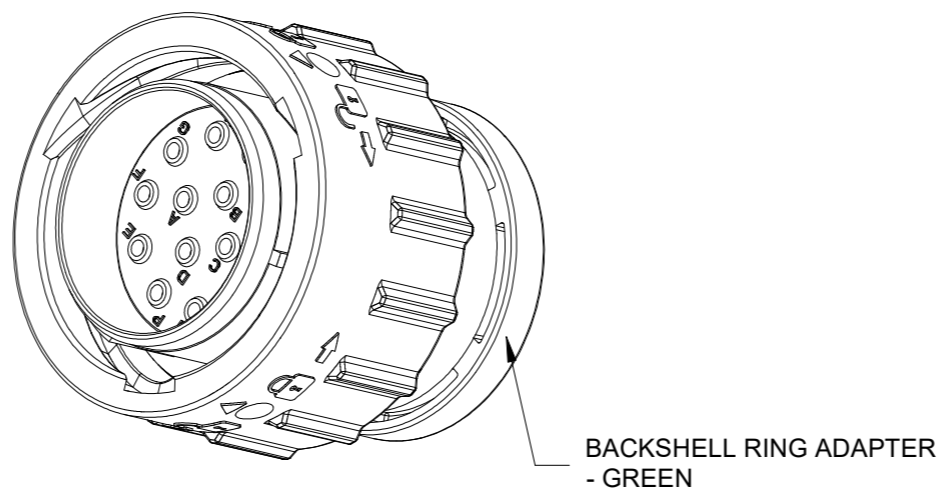


NOTES: UNLESS OTHERWISE SPECIFIED

- MATERIAL:  
HOUSING: THERMOPLASTIC; BLACK  
SEAL: SILICONE RUBBER
- MODIFICATIONS: BACKSHELL RING ADAPTER (BRA);  
STANDARD DIA. WIRE SEAL
- SPECIFICATIONS:
  - OPERATING TEMPERATURE: -55°C TO +125°C.
  - DIELECTRIC WITHSTANDING VOLTAGE: LESS THAN 2 MILLIAMPS CURRENT LEAKAGE @ 1500 VOLTS AC.
  - INSULATION RESISTANCE: 1000 MEGOHM MIN @ 25°C.
  - MOISTURE RESISTANCE:  
IP68(IM OF WATER FOR A PERIOD OF 24 HOURS, MATED CONDITION);  
IP69K(MATED CONDITION).
  - MATING CYCLE DURABILITY: 100 CYCLES
  - RoHS COMPLIANT
- MATING PART: AHDP02-18-14S\* & AHDP04-18-14S\* ( \* = SEAL TYPE )
- ALL DIMENSIONS ARE FOR REFERENCE USE ONLY.

6 CONTACT SIZE AND WIRE RANGE:

| CONTACT SIZE | MIN. INSUL O.D.  | MAX. INSUL O.D.   | TYPICAL WIRE RANGE                  | CURRENT RATING |
|--------------|------------------|-------------------|-------------------------------------|----------------|
| 16           | 2.54 mm (.100in) | 3.40 mm (.134 in) | 14-20 AWG (2.0-0.5mm <sup>2</sup> ) | 13 AMPS        |



BACKSHELL RING ADAPTER - GREEN

| QUANTITY   | PART NUMBER        | DESCRIPTION  | ITEM   |
|--|--------------------|--|--|
|  | AHDP06-18-14PN-BRA | REF:HDP26-18-14PN-L017   |  |
| <b>MATERIALS LIST</b>  |                    |  |  |
| UNLESS OTHERWISE SPECIFIED<br>1) All dimensions are in metric(mm).<br>2) Tolerances are as follows:<br>1 PL DEC ±0.30<br>2 PL DEC ±0.15<br>3 PL DEC ±0.08<br>3) Note reference = |                    | SIGNATURES<br>DRAWN: MILO<br>CHECKED: SULLEN<br>ENGINEER:<br>APPROVAL: TOMMY   | DATE<br>30/MAR/22<br>31/MAR/22<br>01/APR/22  |
| MATERIAL SPECIFICATIONS:<br>WEIGHT: 44.7g  |                    | <br>Sine Systems - www.amphenol-sine.com<br>44724 Morley Drive<br>Clinton Township, MI 48036<br><br>14POS, PLUG, PIN, SIZE 18,<br>NORMAL SEAL, BRA, DURAMATE AHDP  |  |
| PROCESS SPECIFICATIONS:  |                    |  |  |
| NEXT ASSY:   |                    | THIS DRAWING IS SUPPLIED FOR INFORMATION ONLY. DESIGN FEATURES, SPECIFICATIONS AND PERFORMANCE DATA SHOWN HEREON ARE THE PROPERTY OF THE AMPHENOL CORPORATION. NO RIGHTS OF REPRODUCTION ARE IMPLIED. ALL DIMENSIONS ARE SUBJECT TO NORMAL MANUFACTURING VARIATIONS. | SIZE: B C-<br>TYPE: DURAMATE<br>DWG NO: AHDP06-18-14PN-BRA<br>REVISION: A1<br>SCALE: NONE SHEET 1 OF 1 |

TITLE: 14POS, PLUG, PIN, SIZE 18, NORMAL SEAL, BRA, DURAMATE AHDP  
DWG NO: AHDP06-18-14PN-BRA  
REV: A1  
SH: 1  
OF: 1