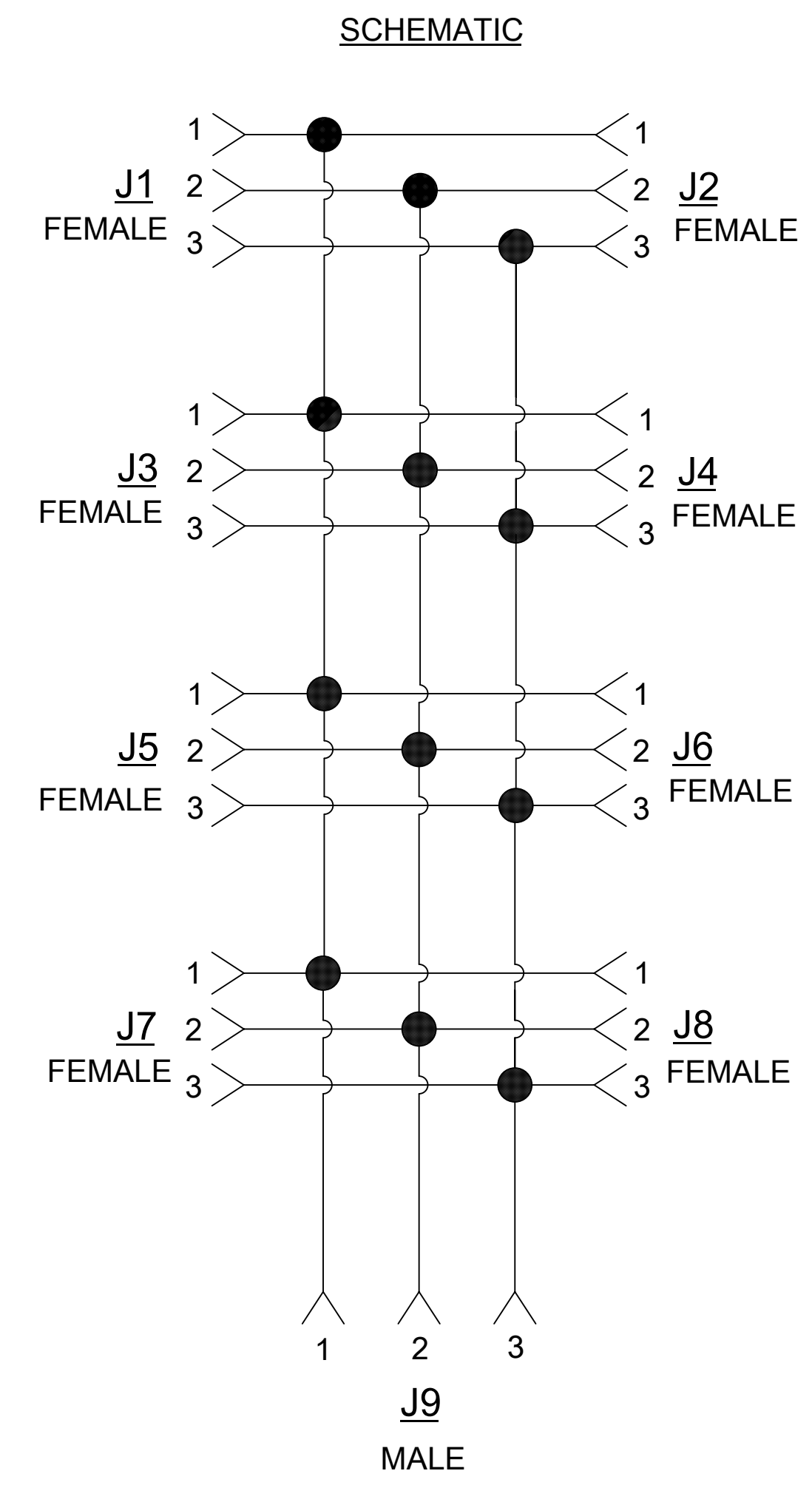
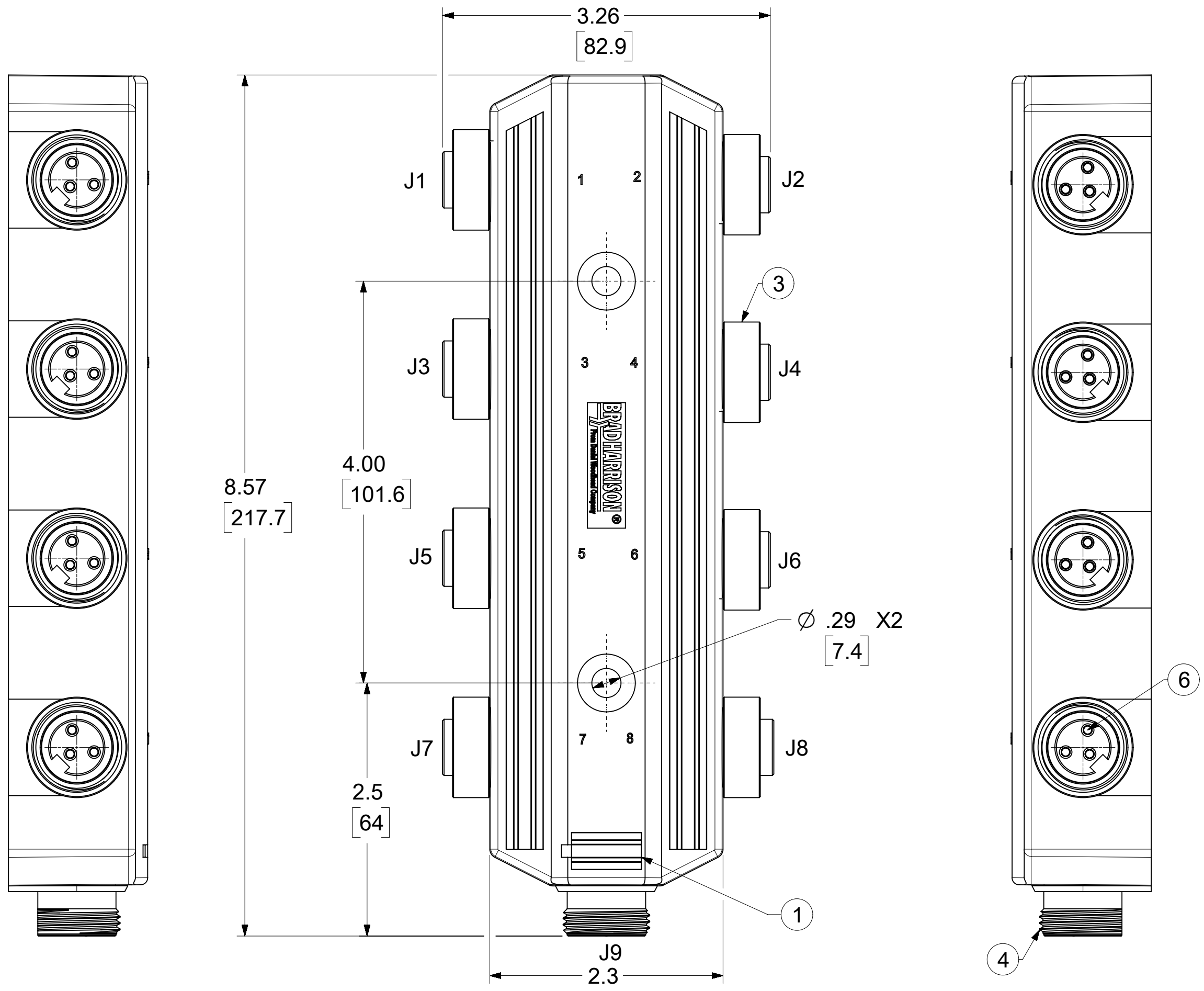
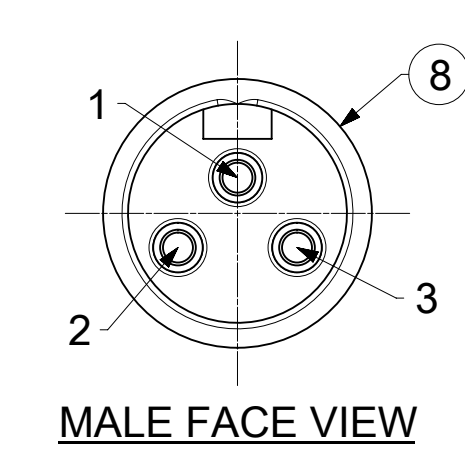
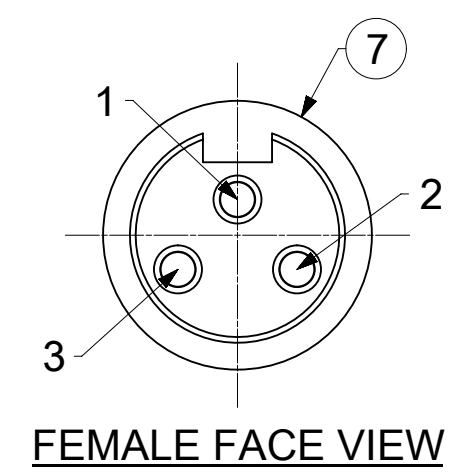
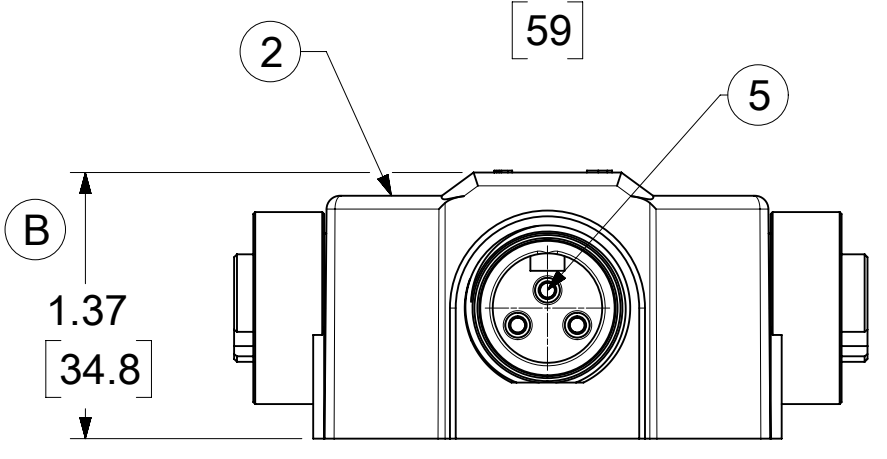


MATERIAL NO.	ENGINEERING NO.	HOUSING COLOR
1300600068	ACAUX8000	YELLOW
1300600087	ACAUX8000E	RED



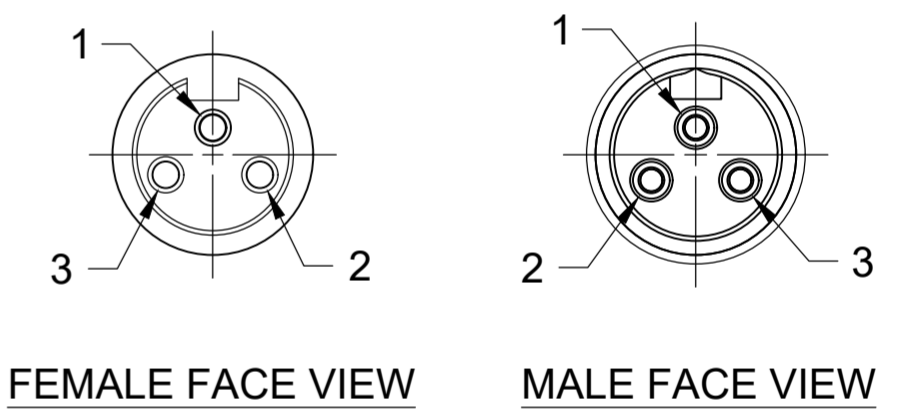
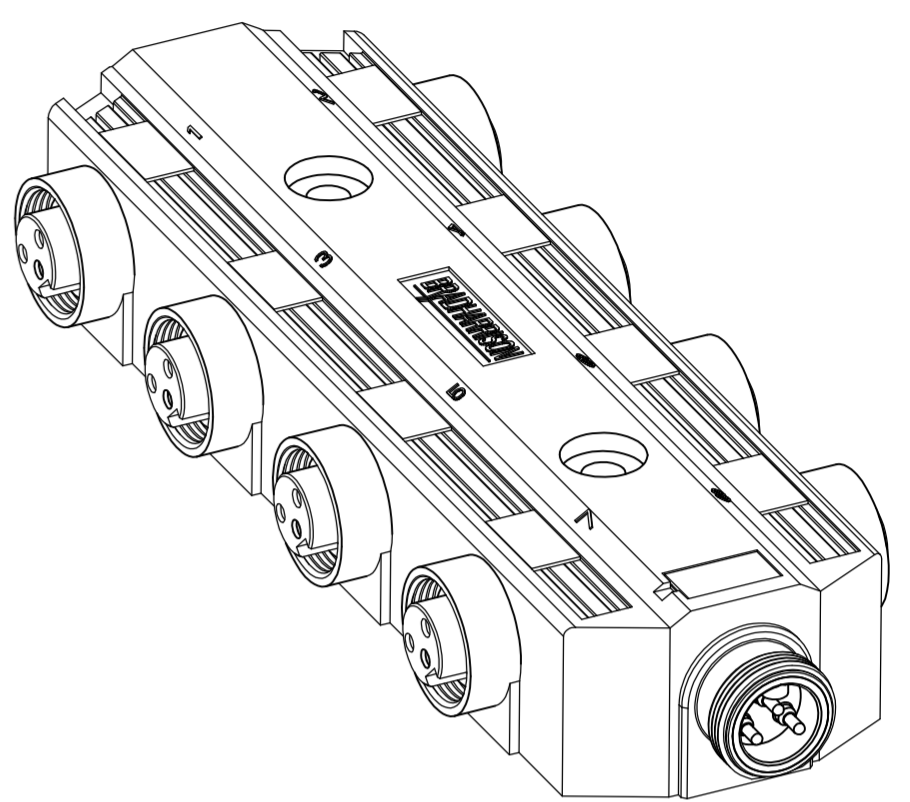
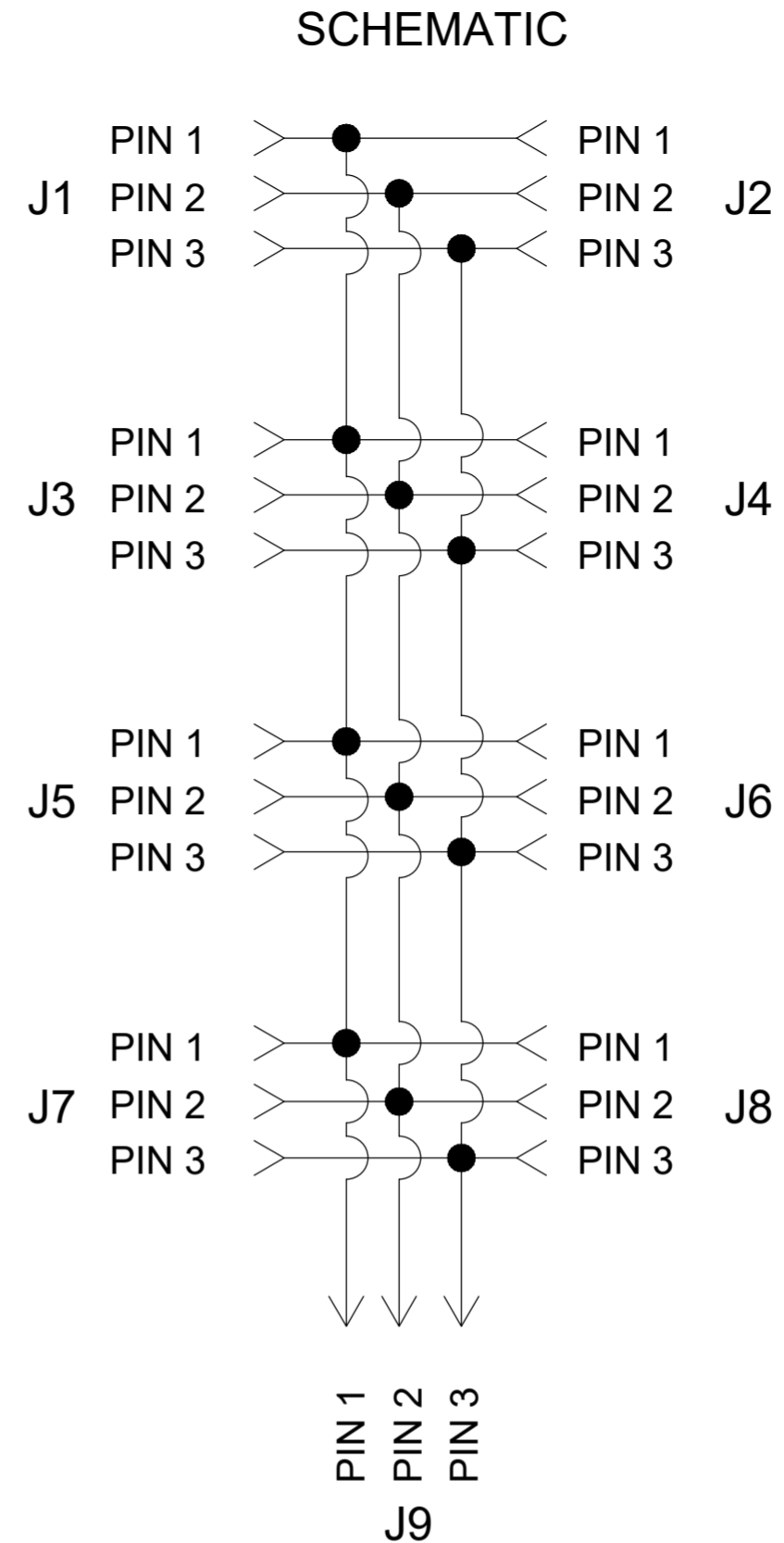
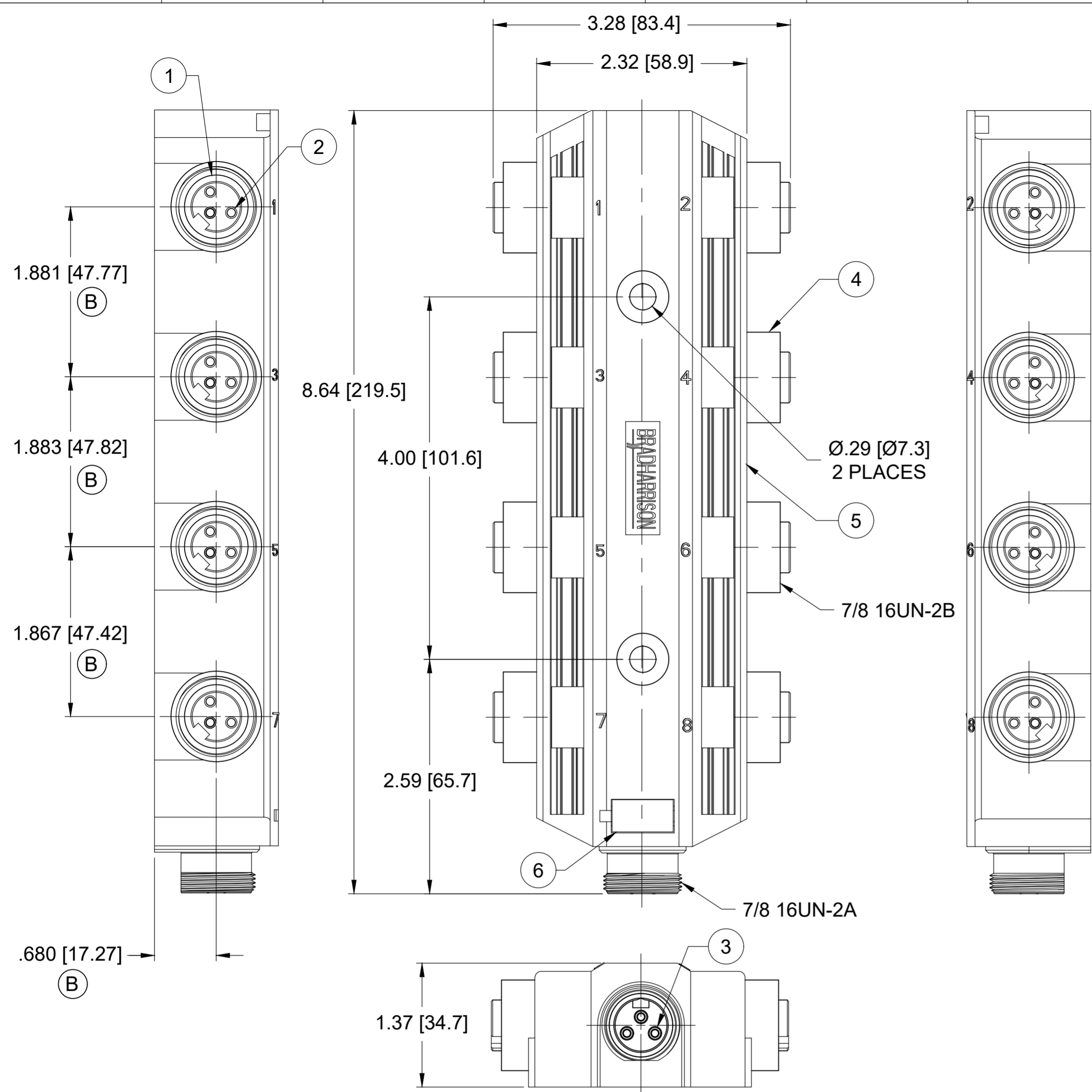
- NOTES:**
1. MATERIAL: AS NOTED
 2. FINISH: AS NOTED
 3. ELECTRICAL:
VOLTAGE: 600V AC/DC
CURRENT: 13A
 4. TEMP RATING: 0°C TO +60°C
 5. PROTECTION: IP67 (WHEN MATED)
 6. COUPLING THREADS: 7/8"-16UN
 7. ALL DIMS ARE FOR REFERENCE UNLESS NOTED OTHERWISE
 8. UL APPROVAL: PENDING



NOTE: DRAWING SUPERSEDES DOC# SD-130060-013 REV A

ITEM	DESCRIPTION	MATERIAL	FINISH
9	POTTING MATERIAL	EPOXY	CLEAR
8	MALE INSERT	TPE	YELLOW
7	FEMALE INSERT	TPE	YELLOW
6	CONTACT SOCKET	COPPER ALLOY	GOLD PLATED
5	CONTACT PIN	COPPER ALLOY	GOLD PLATED
4	MALE RECEPTACLE SHELL	ZINC DIE CAST	BLACK E-COAT
3	FEMALE RECEPTACLE SHELL	ZINC DIE CAST	BLACK E-COAT
2	HOUSING	PBT	SEE CHART
1	LABEL	ABS	WHITE

SYMBOLS DIMENSION UNITS: HYBRID SCALE: 1:1 CURRENT REV DESC: UPDATE DIMENSIONS		GENERAL TOLERANCES (UNLESS SPECIFIED) ANGULAR TOL: ± ° 4 PLACES ± 3 PLACES ± 2 PLACES ± 1 PLACE ± 0 PLACES ± DRAFT WHERE APPLICABLE MUST REMAIN WITHIN DIMENSIONS		EC NO: 631745 DRWN: CCHRSTKA 2020/01/23 CHK'D: ALEON01 2020/02/11 APPR: BWOODMAN 2020/02/24 INITIAL REVISION: DRWN: MZIELINSKI 2019/03/26 APPR: BWOODMAN 2019/08/16			
DOCUMENT STATUS: P1 RELEASE DATE: 2020/02/24 16:27:22		PRODUCT CUSTOMER DRAWING DOCUMENT NUMBER: 1300600087 DOC TYPE: PSD DOC PART: 000 REVISION: B		MATERIAL NUMBER: SEE TABLE CUSTOMER:		SHEET NUMBER: 1 OF 1	



MATERIAL NUMBER	ENGINEERING NUMBER
1300600068	ACAUX8000

- NOTES:
- MATERIAL: AS NOTED
 - FINISH: AS NOTED
 - ELECTRICAL:
VOLTAGE RATING: 600 VAC/VDC
CURRENT: 13A
 - TEMP RATING: 0° TO +60°C
 - PROTECTION: IP67 (WHEN MATED)
 - COUPLING THREAD- AS NOTED
 - UL LISTED FILE: E152210 (B)
 - ALL DIMENSIONS ARE FOR REFERENCE UNLESS TOLERANCED OR NOTED OTHERWISE

ITEM	COMPONENT	MATERIAL	FINISH
1	INSERT	TPE	YELLOW (B)
2	CONTACT SOCKET	COPPER ALLOY	GOLD OVER NICKEL
3	CONTACT PIN	COPPER ALLOY	GOLD OVER NICKEL
4	RECEPTACLE SHELL	ZINC DIE CAST	BLACK E-COATED
5	HOUSING	PBT	YELLOW
6	LABEL	ABS	WHITE
	POTTING MATERIAL	EPOXY	TRANSLUCENT

THIS DRAWING CONTAINS INFORMATION THAT IS PROPRIETARY TO MOLEX ELECTRONIC TECHNOLOGIES, LLC AND SHOULD NOT BE USED WITHOUT WRITTEN PERMISSION

FUNCTIONAL SYMBOLS	DIMENSION UNITS	SCALE	CURRENT REV DESC: ITEM# 1 WAS PVC. ADDED UL LISTED FILE NO. UPDATED TEMP RATING. ADDED DIMS.
$F_A=0$	INCH/MM	NTS	
$F_C=0$	GENERAL TOLERANCES (UNLESS SPECIFIED)		
$F_P=0$			
DIVISIONAL SYMBOLS	mm	INCH	EC NO: 645633
	4 PLACES ±----	±----	DRWN: ABENJAMINLW 2020/09/09
	3 PLACES ±----	±0.005	CHK'D: RSTONE 2020/09/30
	2 PLACES ±0.13	±0.01	APPR: BWOODMAN 2020/10/23
	1 PLACE ±0.25	±0.02	INITIAL REVISION:
	0 PLACES ±----	±----	DRWN: KJOZWIK 2010/01/25
	ANGULAR TOL ± 0.5°		APPR: JFMURPHY 2010/01/29
	DRAFT WHERE APPLICABLE MUST REMAIN WITHIN DIMENSIONS	THIRD ANGLE PROJECTION	DRAWING SERIES
			C-SIZE 130060

DOCUMENT NUMBER		DOC TYPE/DOC PART	REVISION
SD-130060-013		PSD	001 B
MATERIAL NUMBER	CUSTOMER	SHEET NUMBER	
SEE CHART	GENERAL MARKET	1 OF 1	