

Specifications

Material

Insulator: PBT, UL 94V-0, Black
 Contact: Phosphor Bronze, T=0.35mm
 Shell: Brass, T=0.20mm

Plating

Contact: See Ordering Grid
 Shell: Nickel

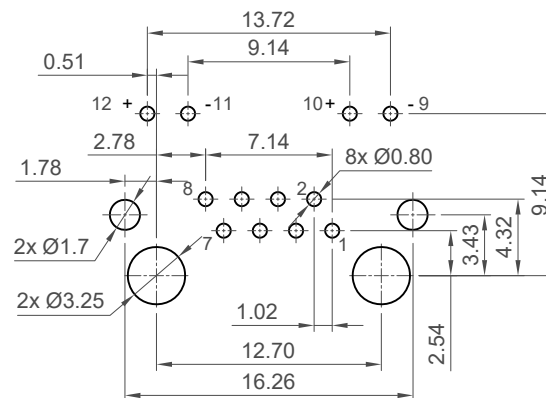
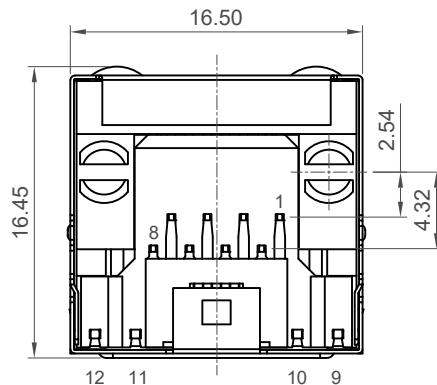
Electrical

Current Rating : 1.5 Amp
 Current Voltage : 150V AC RMS
 Contact Resistance : 20 mΩ max.
 Insulation Resistance: 1000 MΩ min. @500V DC
 Dielectric Withstand Voltage :
 1000V AC/DC Peak Between Terminal to Terminal or
 1500VDC, Terminal To Screen & Test panel
 @0.5mA 60Hz or 50Hz 1 min.

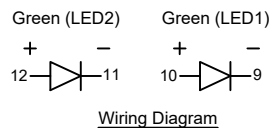
Mechanical & Environmental

Storage Temperature : -40°C to +85°C,
 Relative Humidity <80%
 Operation Temperature : -40°C to +85°C
 Operating Life : 750 Cycles Min.
 Mating/Unmating Force: 30N Max.
 Retention Strength: 50N for 60s±5s
 Mates With Modular Plug Conforming To FCC Part 68, Subpart F

Wave Soldering Temperature: 245°C ± 5°C, 5s



Recommended PCB Layout
 Tolerance : ±0.05mm
 Thickness: 1.60mm



Ordering Grid

MJ3230-88-GG-2 Request Samples and Quotation
 No. of Positions/Positions Loaded 88 = 8/8 Contact Plating 2 = 6µ" Gold
 LED Colour Options GG : LED 1=Green, LED 2= Green

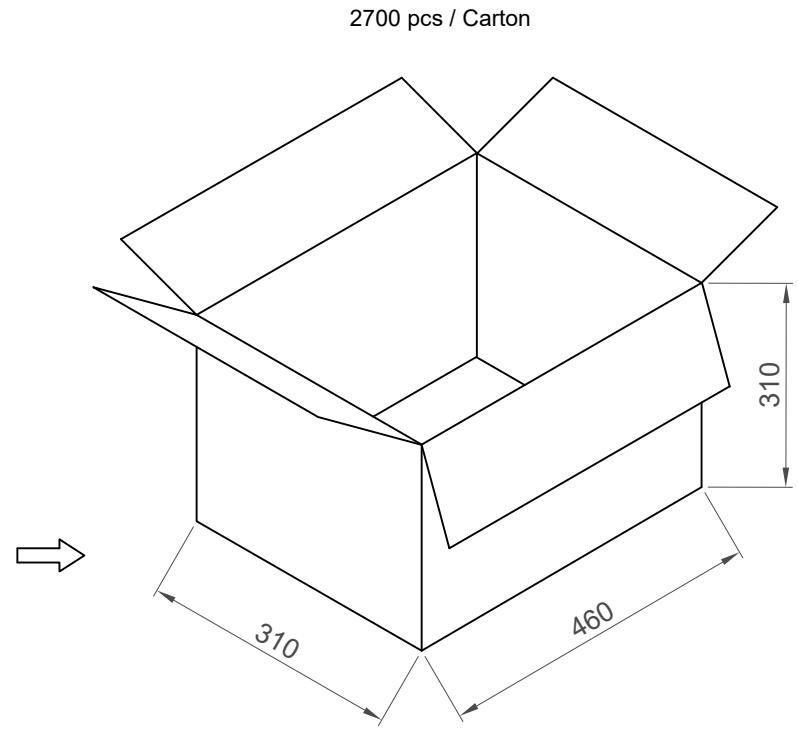
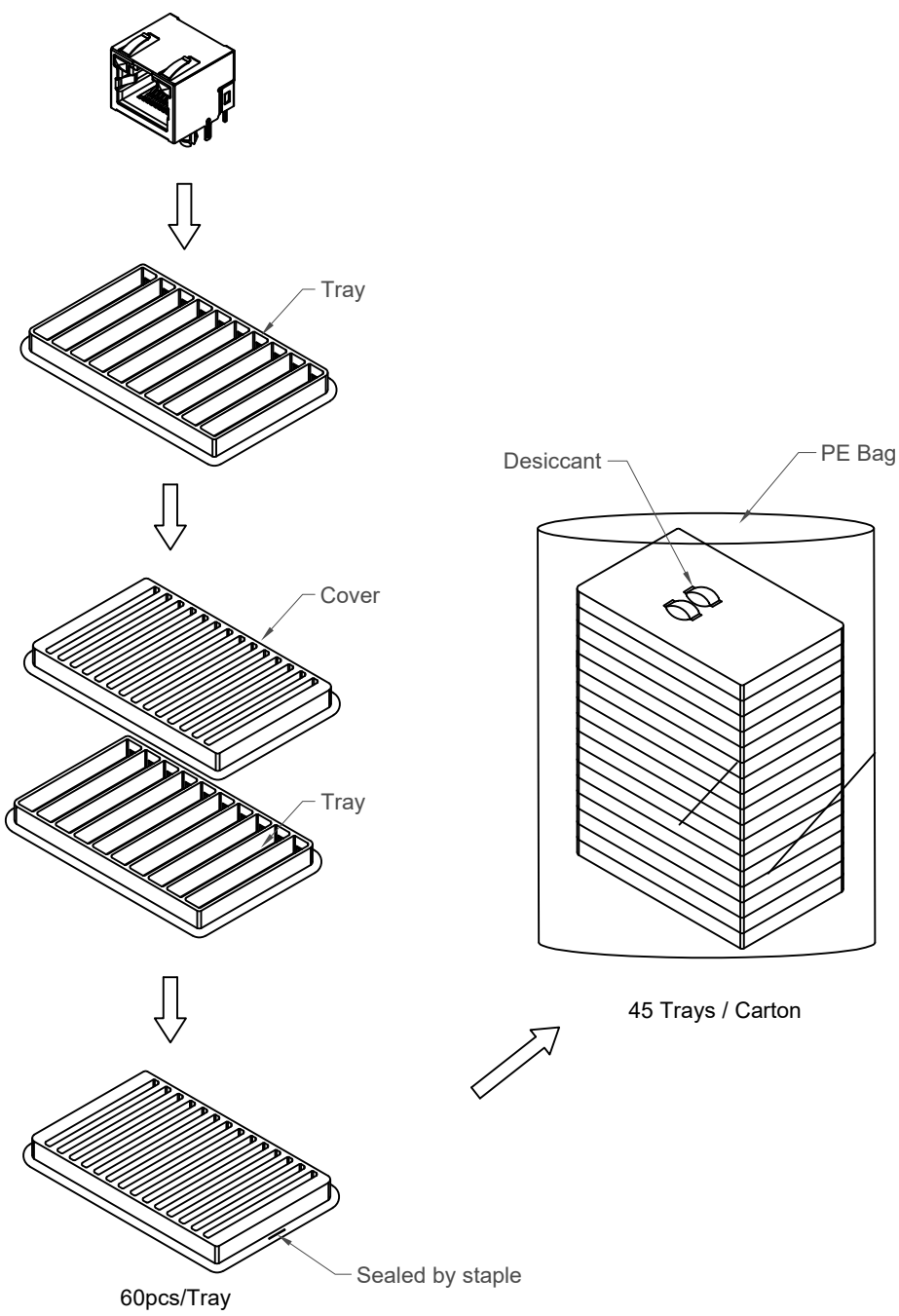
Part Number		Product Description	
MJ3230-88		Modular Jack Connector, 8 Position, Right Angle, Through Hole, With Shell, With LED	
Drawing Date		30th March 2021	
By	CC	Tolerances (Except as Noted)	Units: Metric (mm)
Detail	Drawing Release	Length X.XX ± 0.15 X.X ± 0.20	Angle ± 0.5°
Revision	A1	3rd Angle Projection	
Date	09/02/22		

This drawing is confidential and copyright of Global Connector Technology, Ltd (GCT). This drawing must not be copied or disclosed without written consent. E & OE





Not to Scale	Drawn By CC	Sheet No. 1/2
--------------	-------------	---------------

H
G
F
E
D
C
B
A



Pcs/Tray	Trays/Carton	Total Quantity
60	45	2700 pcs

Part Number		Product Description		 www.gct.co
MJ3230-88		Modular Jack Connector, 8 Position, Right Angle, Through Hole, With Shell, With LED		
Drawing Date		30th March 2021		
By	CC	Tolerances (Except as Noted)	Units:	 This drawing is confidential and copyright of Global Connector Technology, Ltd (GCT). This drawing must not be copied or disclosed without written consent. E & OE
Detail	Drawing Release	Length	Metric (mm)	
Revision	A1	X.XX ± 0.15	± 0.5°	
Date	09/02/22	X.X ± 0.20	3rd Angle Projection	
				Not to Scale
				Drawn By
				CC
				Sheet No.
				2/2

1 2 3 4 5 6 7 8