

PRODUCT DESCRIPTION CODE :

10142407-1XXK LF

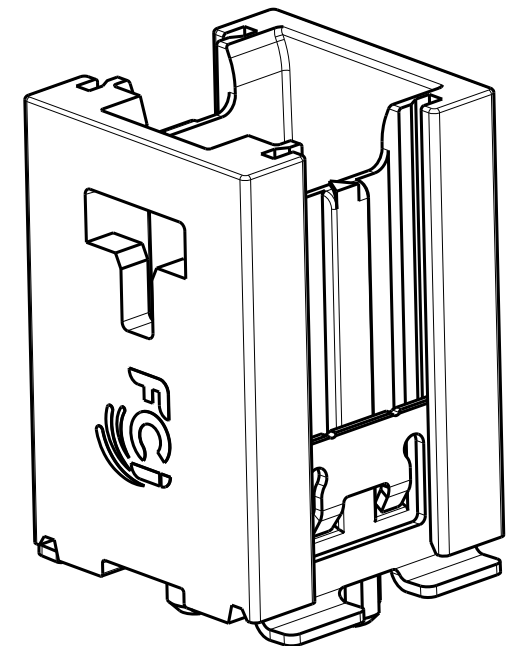
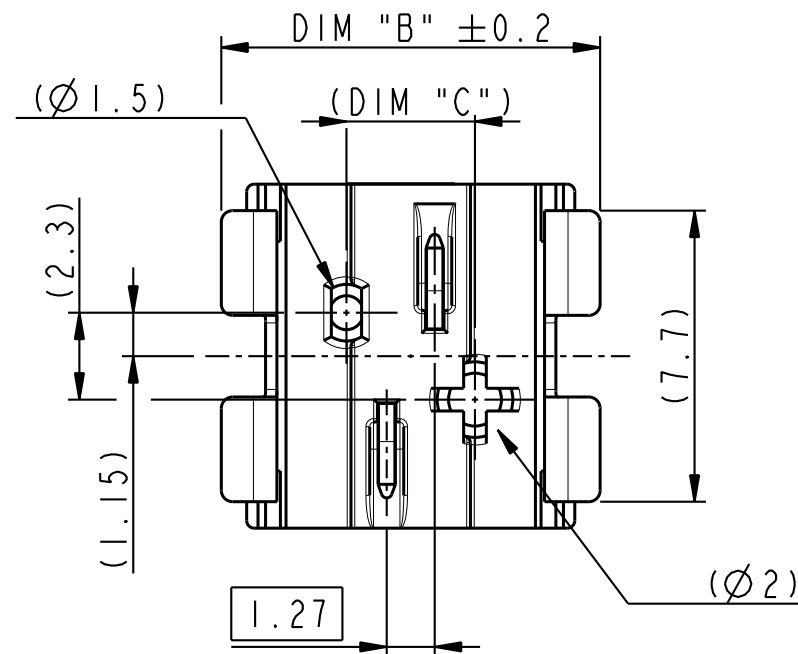
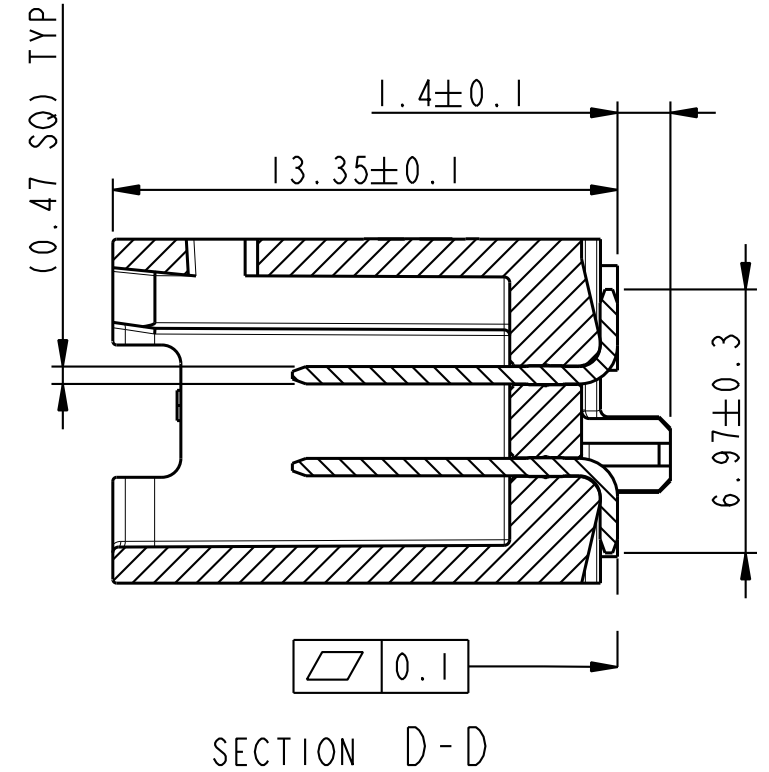
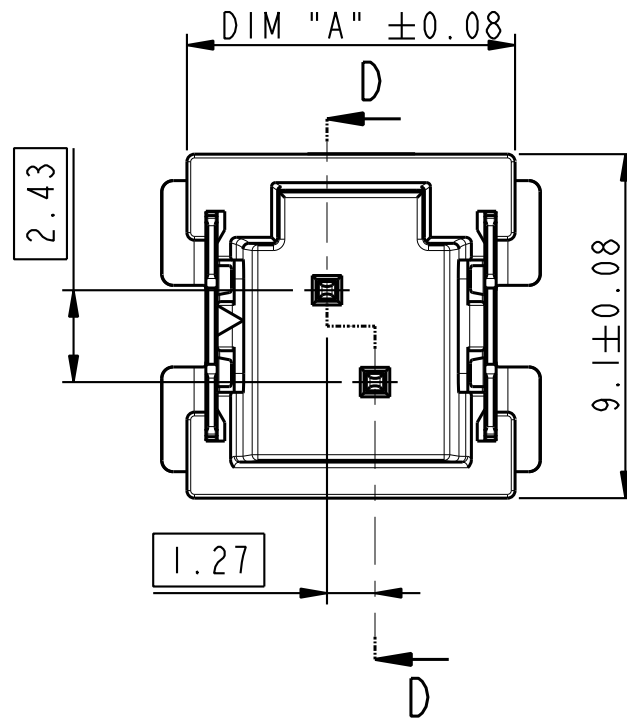
RoHS COMPATIBLE, SEE NOTE 3

FOR CUSTOMER CODE :  
BLANK = GENERAL USE

PACKAGING :  
K = TAPE & REEL

NUMBER OF POSITIONS : 02 TO 03

PLATING :  
1 = 3µm MIN MATTE TIN (PREPLATED)  
2 = 3µm MIN MATTE TIN (POST-PLATED)  
3 = 0.76µm MIN GOLD (CONTACT AREA)  
ALL OVER 1.27µm MIN NICKEL UNDERLAYER

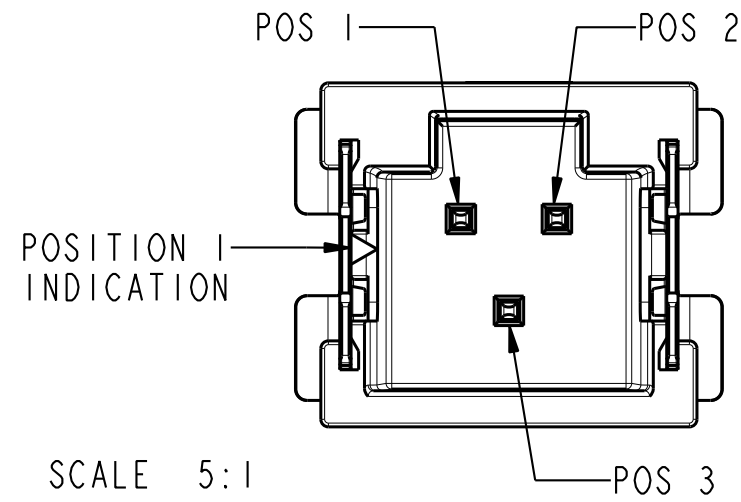


NOTES:

- 1 - MATERIAL:  
HOUSING : HIGH TEMPERATURE THERMOPLASTIC  
COLOR BLACK UL94 V-0  
PIN : HIGH CURRENT COPPER ALLOY
- 2 - TO BE MATED WITH MINITEK µSPACE RECEPTACLE SERIES 10142395
- 3 - RoHS COMPATIBLE PRODUCT SPECIFICATIONS
  - a - PLATING:  
"LF" MEANS THE PRODUCT IS LEAD FREE,  
3µm MINIMUM MATTE TIN OVER 1.27µm MINIMUM NICKEL UNDERPLATE.
  - b - MANUFACTURING PROCESS COMPATIBILITY:  
THE HOUSING WILL WITHSTAND EXPOSURE TO 260°C PEAK TEMPERATURE FOR 30 SECONDS MAX IN A CONVECTION, INFRA-RED OR VAPOR PHASE OR REFLOW OVEN.
  - c - LABELLING :  
MEETS PACKAGING SPECS AS PER GS-14-920
  - d - LEGAL STATEMENT :  
SEE GS-47-0004.

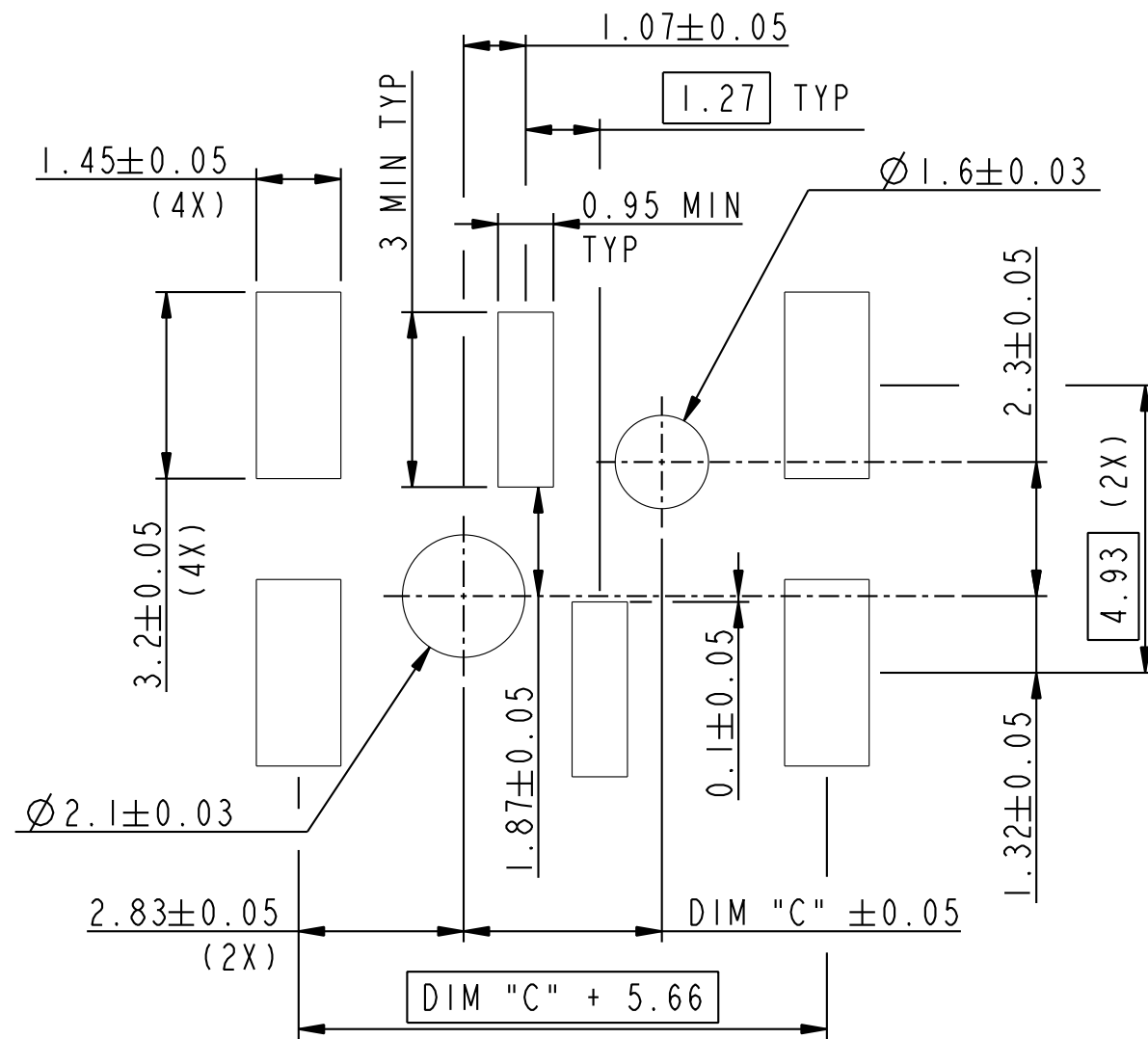
spec ref	GS-12-1422	dr	Ramu P	2018/07/10	projection	mm	size	A3	scale	5:1
tolerance std	ISO 406 ISO 1101	eng	Moisan, Gwenda	2022/06/08		mm	ecn no	A3	rel level	Released
TOLERANCES UNLESS OTHERWISE SPECIFIED		chr	Robert, Christ	2022/06/08						
surface	ISO 1302	appr	Wollin, Severi	2022/06/08	product family	-	rel level	Released		
	linear	0.X	±0.3	<b>Amphenol FCI</b>	title		dwg no	10142407	rev	B
		0.XX	±0.10		HEADER ASSEMBLY					
		0.XXX	±0.005		MINITEK µSPACE VERT. STG TOP LATCH					
	angular	0°	±2°	cat. no.	-	Product - Customer Drw	sheet 1 of 2			

PART NO.	NO. OF POSN	DIM "A"	DIM "B"	DIM "C"
10142407-102KLF	02	8.68	10.02	3.40
10142407-103KLF	03	9.95	11.29	4.67

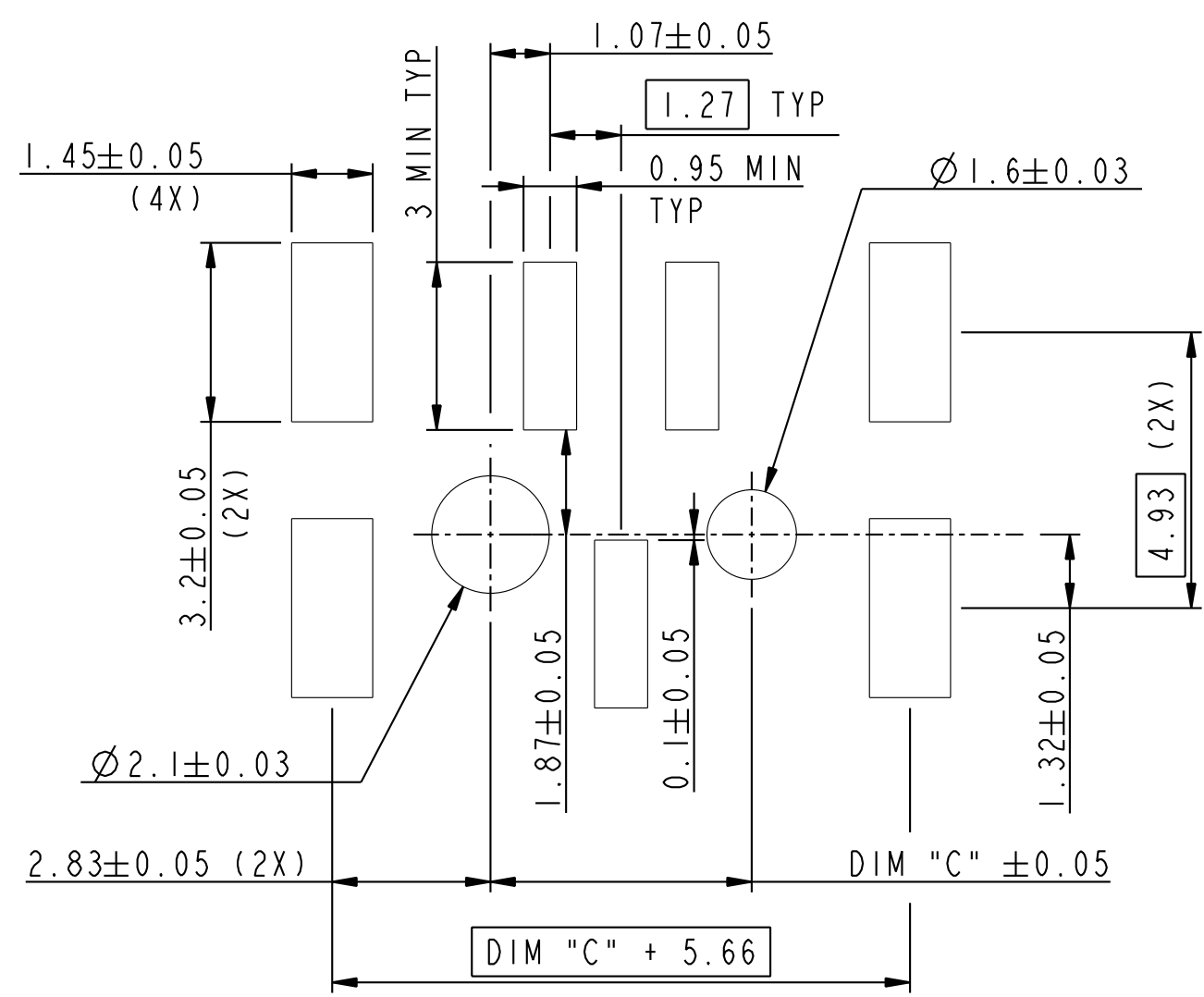


POSITION NUMBER INDICATION  
FOR 3POS VERSION

SCALE 5:1



RECOMMENDED PCB LAYOUT FOR 2 POS



RECOMMENDED PCB LAYOUT FOR 3 POS

spec ref	GS-12-1422	dr	Ramu P	2018/07/10	projection	mm	size	A3	scale	8:1
tolerance std	ISO 406 ISO 1101	eng	Moisan, Gwenda	2022/06/08			ecn no	ELX-F-44978-1		
TOLERANCES UNLESS OTHERWISE SPECIFIED		chr	Robert, Christ	2022/06/08			rel level	Released		
surface	linear	0.X	±0.3		product family		-	-		
	angular	0°	±2°		-		-			
<b>Amphenol FCI</b>					<b>HEADER ASSEMBLY</b> MINITEK μSPACE VERT. STG TOP LATCH		dwg no 10142407	rev <b>B</b>		
cat. no. -					Product - Customer Drw		sheet 2 of 2			