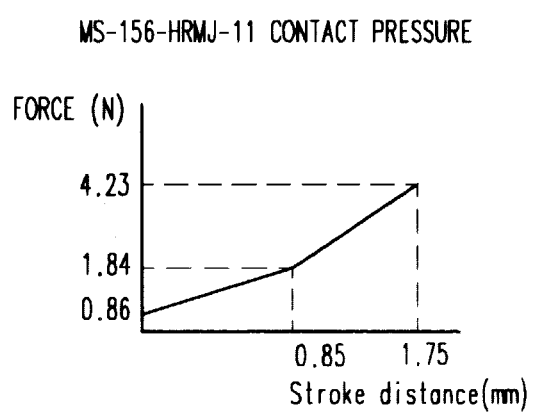
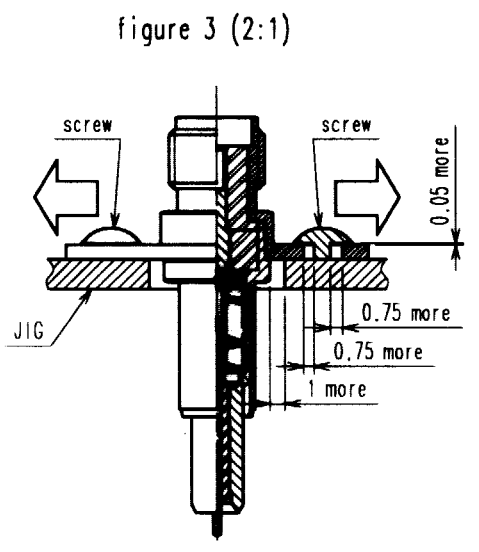
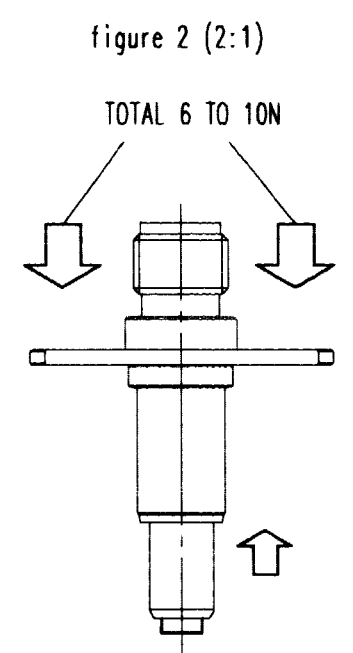
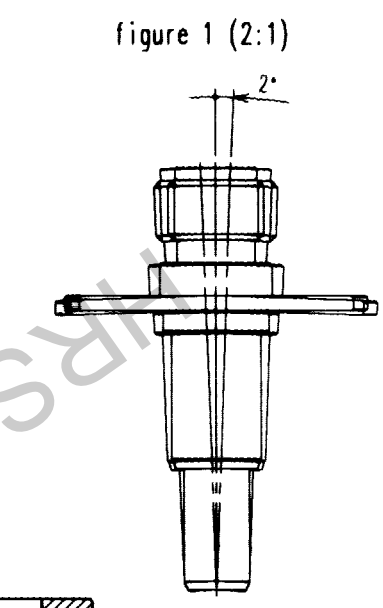
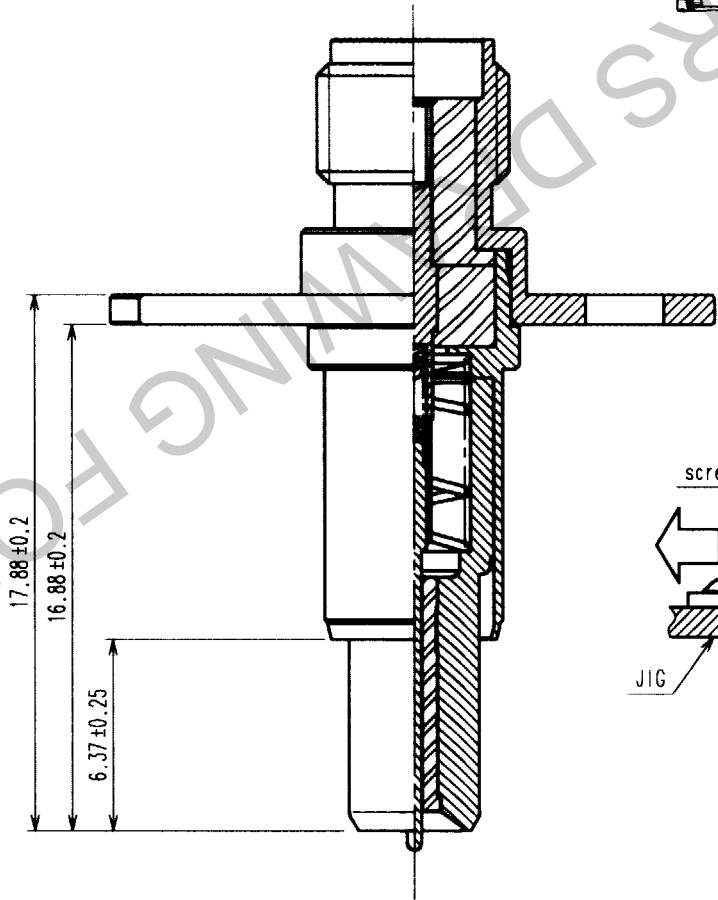
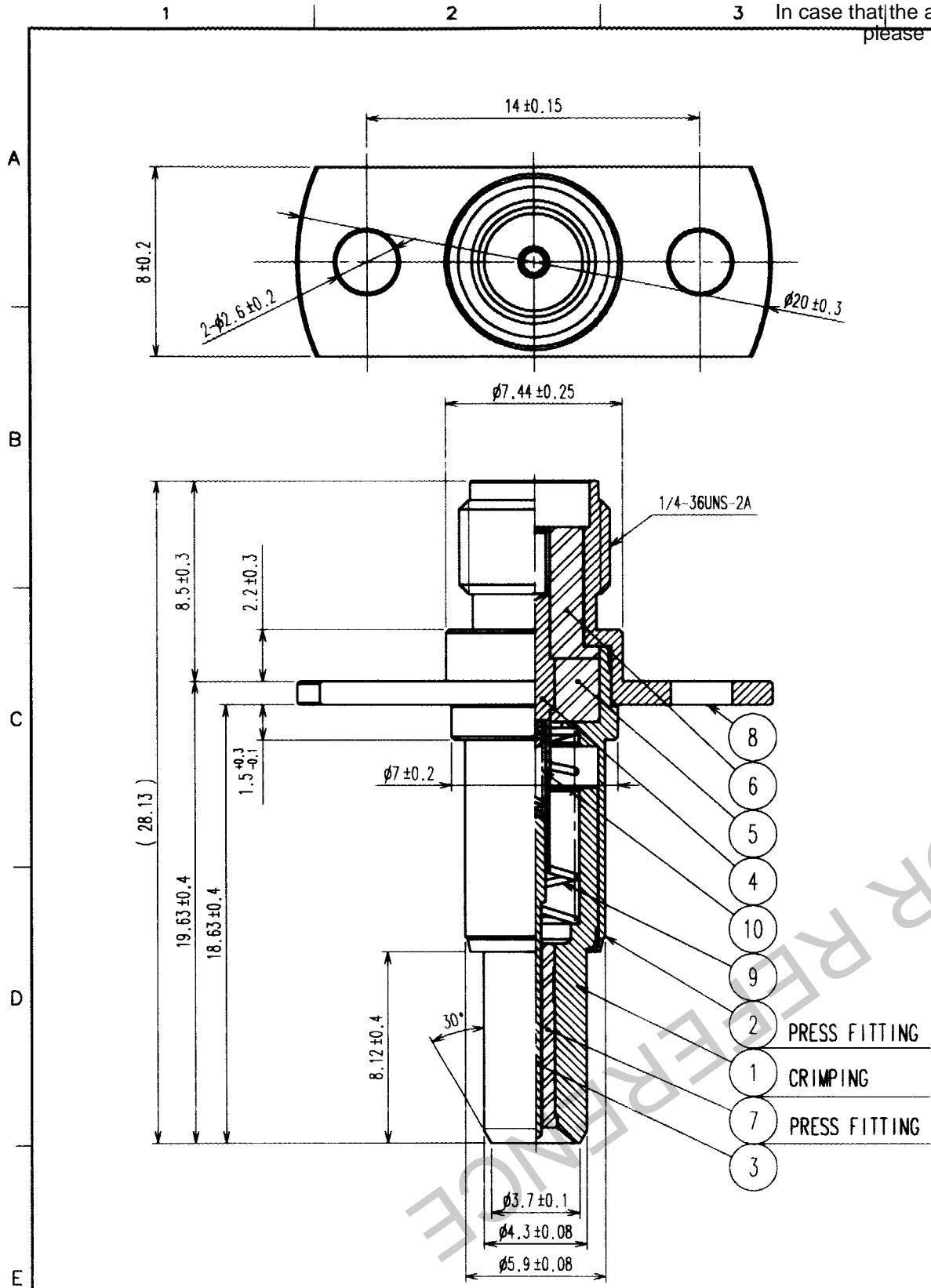


In case that the application demands a high level of reliability, such as automotive, please contact a company representative for further information.

COUNT	DESCRIPTION OF REVISIONS	BY	CHKD	DATE	COUNT	DESCRIPTION OF REVISIONS	BY	CHKD	DATE



NOTE 1. This adaptor must be pushed on the receptacle (MS-156) with 6 to 10N. (refer to figure 2)
 2. Mating angle must be less than ±2 degree. (refer to figure 1)
 3. This product should not be fixed completely so that it keep space to align for connection. If your jig have alignment structure, it is not needed.
 4. Recommended setting configuration is shown in figure 3.

5	PTFE		10	STAINLESS	GOLD
4	BERYLLIUM COPPER	GOLD	9	STAINLESS	
3	BERYLLIUM COPPER	GOLD	8	STAINLESS	PASSIVATE
2	BERYLLIUM COPPER	GOLD	7	PTFE	
1	BERYLLIUM COPPER	GOLD	6	PTFE	
NO.	MATERIAL	FINISH, REMARKS	NO.	MATERIAL	FINISH, REMARKS

CODE NO. (OLD)	DRAWN	DESIGNED	CHECKED	APPROVED	RELEASED
	<i>K. Kido</i>	<i>K. Kido</i>	<i>K. Yamamura</i>	<i>Y. Inoue</i>	
	03.7.31	03.7.31	03.8.1	03.8.1	

SCALE	4 : 1	DRAWING NO.	EDC3-180365	PART NO.	MS-156-HRMJ-11
UNITS	mm	CODE NO.	CL358-0192-5		1/1
		HRS HIROSE ELECTRIC CO., LTD			

TO
RFD