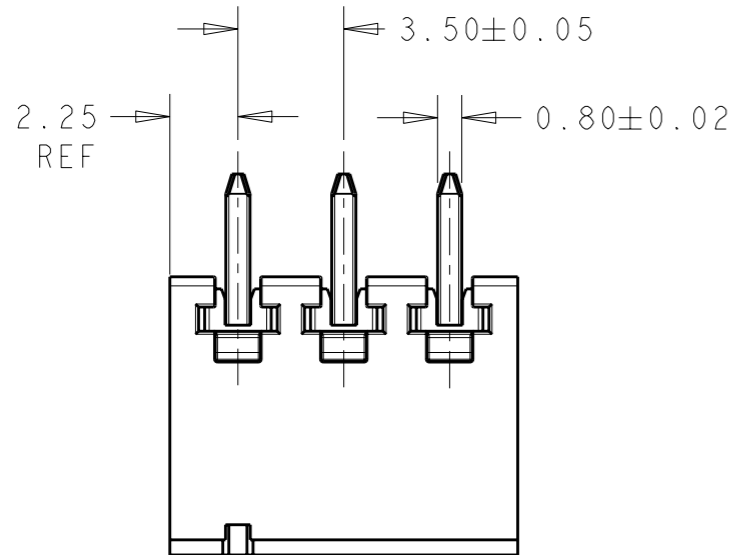


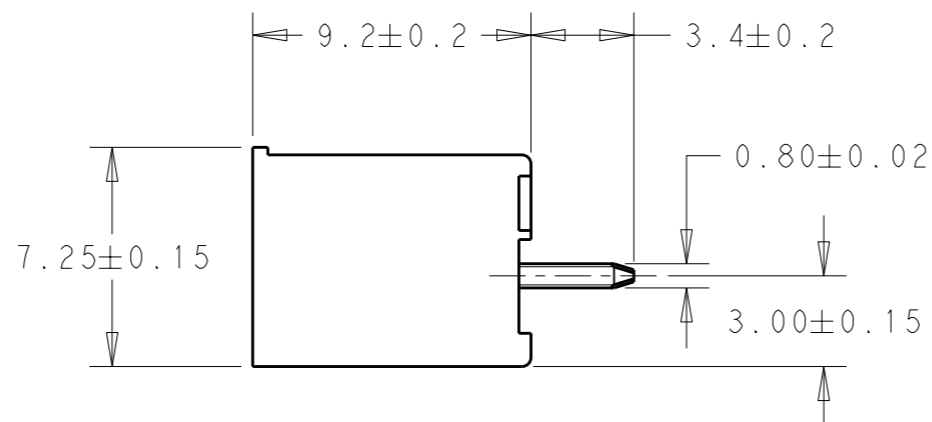
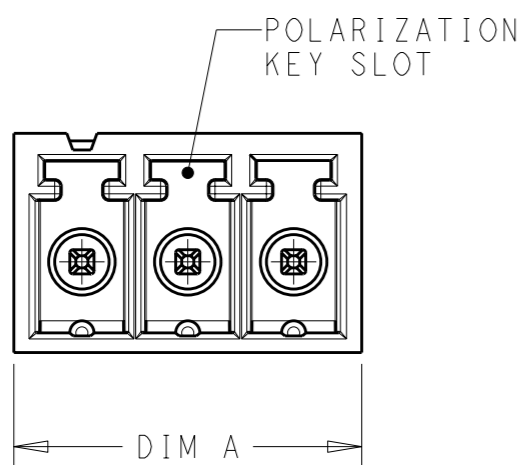
THIS DRAWING IS UNPUBLISHED. RELEASED FOR PUBLICATION 20

© COPYRIGHT 20 BY TYCO ELECTRONICS CORPORATION. ALL INTERNATIONAL RIGHTS RESERVED.

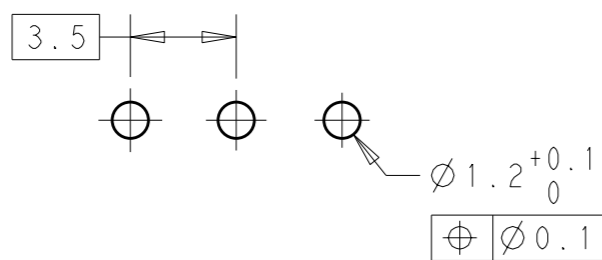
LOC	DIST	REVISIONS				
P	LTR	DESCRIPTION	DATE	DWN	APVD	
-	-	01	REVISED PER ECO-09-027788	06JAN2010	SS	CR



- 1 MATERIAL AND FINISH:
 HOUSING: HIGH TEMPERATURE POLYAMIDE UL94V-0,
 COLOR: BLACK.
 TERMINAL: PHOSPHOR BRONZE, TIN PLATED.
2. SUITABLE FOR 1.6-2.4mm PC BOARD THICKNESS.
3. UL RATING: 300V, 11A.



43.0	12	1-1776130-2
39.5	11	1-1776130-1
36.0	10	1-1776130-0
32.5	9	1776130-9
29.0	8	1776130-8
25.5	7	1776130-7
22.0	6	1776130-6
18.5	5	1776130-5
15.0	4	1776130-4
11.5	3	1776130-3
8.0	2	1776130-2
DIM A	NO. OF POS.	PART NUMBER



RECOMMENDED PC BOARD LAYOUT

THIS DRAWING IS A CONTROLLED DOCUMENT FOR TYCO ELECTRONICS CORPORATION. IT IS SUBJECT TO CHANGE AND THE CONTROLLING ENGINEERING ORGANIZATION SHOULD BE CONTACTED FOR THE LATEST REVISION.

DIMENSIONS:	TOLERANCES UNLESS OTHERWISE SPECIFIED:	DWN	06JAN2010	Tyco Electronics Harrisburg, PA 17105-3608
mm	0 PLC ±-	CHK	06JAN2010	
	1 PLC ±0.3	APVD	06JAN2010	
	2 PLC ±0.25	PRODUCT SPEC	-	
MATERIAL	3 PLC ±-	APPLICATION SPEC	-	NAME
-	4 PLC ±-	WEIGHT	-	TERMINAL BLOCK HEADER ASSEMBLY
FINISH	ANGLES ±- ±2	CUSTOMER DRAWING	-	STRAIGHT, CLOSED ENDS, 3.5mm PITCH
-	FINISH -	SCALE	4:1	SIZE
	-	SHEET	1	A3
		OF	1	CAGE CODE
		REV	01	000779
				DRAWING NO
				C=1776130
				RESTRICTED TO
				-