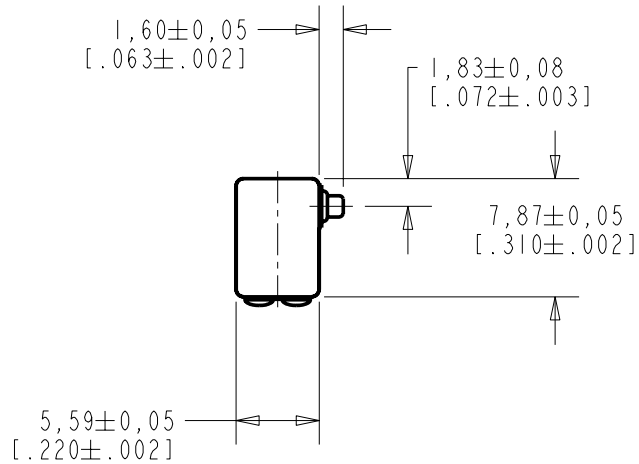


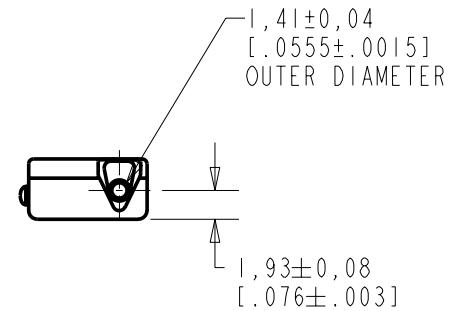
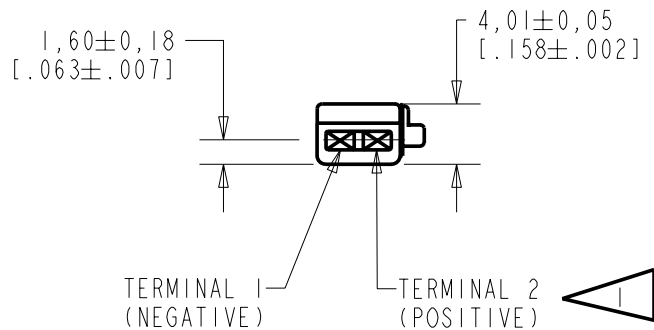
EF-26636-000  
SHT 1.1



NOTES:



A POSITIVE GOING VOLTAGE AT TERMINAL 2, RELATIVE TO TERMINAL 1, CAUSES A DECREASE IN PRESSURE AT THE SOUND OUTLET.



NOMINAL WEIGHT  
.66 GRAM

DIMENSIONS IN MILLIMETERS [INCHES]

Revision	C.O. #	Implementation Date	RELEASE LEVEL	REVISION
A	CI0103438	8-24-06	Released	A

SCALE: 2:1		DR. BY	DATE
DO NOT SCALE DRAWING		LSY	8-24-06
TITLE: RECEIVER		CK. BY	DATE
OUTLINE DRAWING		GJP	9-2-06
EF-26636-000		APP. BY	DATE
SHT 1.1		GJP	9-2-06

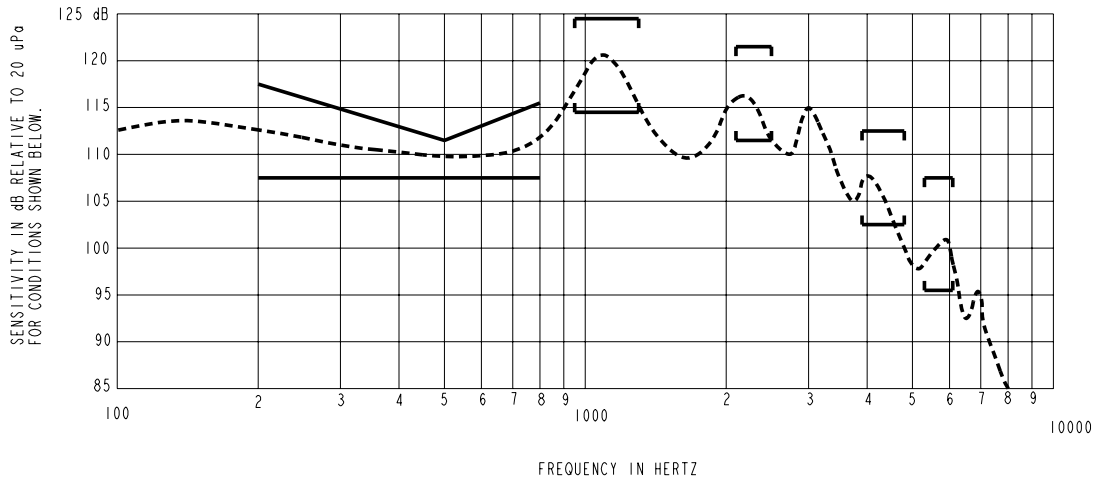
**KNOWLES ELECTRONICS**  
ITASCA, ILLINOIS U.S.A.

NO DAMPING

EF-26636-000

SHEET 2.1

CONSTANT VOLTAGE DRIVE CONDITIONS



ACOUSTICAL

SENSITIVITY  
 DEVICE WILL PRODUCE THE SPL LISTED BELOW UNDER TEST CONDITIONS DESCRIBED IN TABLE 3.  
 NOMINAL SENSITIVITY AT 500 Hz IS dB RELATIVE TO 20µPa. ALL OTHER VALUES  
 IN dB RELATIVE TO THE SENSITIVITY AT 500 Hz EXCEPT MINIMUM LIMITS AT 1500, 2000, AND 3000 Hz  
 (I.E., dB RE 20 µPa PER CUSTOMER REQUIREMENT).

FREQUENCY (HZ)	MINIMUM	NOMINAL	MAXIMUM
200	+0.0	+3.0	+6.0
500	107.5	109.5	111.5
800	+0.0	+2.0	+4.0
950-1300	+7.0	+10.0	+13.0
1750	-4.0	---	---
2100-2500	+4.0	+7.0	+10.0
2900	-5.0	---	---
3400	-2.0	+4.0	+6.0
3900-4800	-5.0	-2.0	+1.0
5300-6100	-12.0	-8.0	-4.0

TABLE 1

TOTAL HARMONIC DISTORTION  
 DEVICE WILL NOT EXCEED TOTAL HARMONIC DISTORTION LEVELS LISTED BELOW.

FREQUENCY (Hz)	AC DRIVE (V rms)	DC BIAS (mA)	LIMIT (%)
500	0.11	0	10
500	0.29	0	5

TABLE 2

TEST CONDITIONS

NOMINAL SOURCE VOLTAGE	0.11 V rms, 0 mA DC BIAS
SOURCE IMPEDANCE	<1 Ohm
TUBING	8mm x 1mm ID + 28mm x 1.5mm ID EAR HOOK SIMULATOR + 25mm x 2mm ID TUBE + 18mm x 3mm ID TUBE
COUPLER CAVITY	2 CM <sup>3</sup> , SIMULATED ANSI S3.7 TYPE HA-3 (IEC 126)

TABLE 3

ELECTRICAL

DC RESISTANCE	15 Ohms ± 10%
IMPEDANCE @ 500 Hz	42 Ohms ± 15%
IMPEDANCE @ 1kHz	101 Ohms ± 15%

TABLE 4

ISOLATION: CASE WILL BE ELECTRICALLY ISOLATED FROM THE COIL CIRCUIT.  
 MAGNETIC ADJUST: PER SPECIFICATIONS FOR EF-26636-000 AT 500Hz.

TEMPERATURE: OPERATING RANGE FROM 0°C TO 63°C (SENSITIVITY WILL NOT VARY BY MORE THAN ±3 dB WITHIN RANGE)  
 SENSITIVITY AT 0°C IS 1.5dB LOWER THAN THE SENSITIVITY AT ROOM TEMPERATURE.  
 DELTA PEAK IS 1.8dB HIGHER AT BODY TEMPERATURE (37°C)  
 STORAGE RANGE FROM -40°C TO 63°C

Revision	C.O. #	Implementation Date	RELEASE LEVEL	REVISION
			<b>Released</b>	<b>A</b>
A	C10103438	8-24-06		

WHEN TEST LIMITS ARE USED TO ESTABLISH INCOMING INSPECTION ACCEPTANCE/REJECTION CRITERIA, CORRELATION OF TEST EQUIPMENT WITH KNOWLES IS ALSO REQUIRED FOR ELIMINATION OF EQUIPMENT AND TEST METHOD VARIATION		DR. BY	DATE
		LSY	8-24-06
TITLE: <b>RECEIVER</b>		CK. BY	DATE
PERFORMANCE SPECIFICATION		GJP	9-2-06
EF-26636-000		APP. BY	DATE
SHT 2.1		GJP	9-2-06

**KNOWLES ELECTRONICS**  
 ITASCA, ILLINOIS U.S.A.