

MATERIALS AND FINISHES:

SEE PSD-85305-0232

73415-6183	85305-0232, TAPE AND REEL WITH KAPTON TAPE	1K PER REEL	1K PER CARTON
73415-6182	85305-0232, TAPE AND REEL	1K PER REEL	1K PER CARTON
73415-6181	85305-0232, TAPE AND REEL WITH KAPTON TAPE	1K PER REEL	7K PER CARTON
73415-6180	85305-0232, ONE PER BAG	ONE PER BAG	500 PER CARTON
PART NO.	PACKAGING	QUANTITY	

A4	2019/11/26	ADD -6183 PER EWR #13478-A
REV	DATE	DESCRIPTION

THIS DRAWING CONTAINS INFORMATION THAT IS PROPRIETARY TO MOLEX ELECTRONIC TECHNOLOGIES, LLC AND SHOULD NOT BE USED WITHOUT WRITTEN PERMISSION									
DIMENSION UNITS	SCALE	CURRENT REV DESC:			molex				
INCH/MM	NTS								
GENERAL TOLERANCES (UNLESS SPECIFIED)		EC NO: 628191			SMP, PLUG SMT LIMITED DETENT SMP-P/PCB				
ANGULAR TOL ± 2.0°		DRWN: RYEH 2019/11/26							
4 PLACES ±		CHK'D: YCHENG 2019/12/06			PRODUCT CUSTOMER DRAWING				
3 PLACES ±		APPR: YCHENG 2019/12/06							
2 PLACES ± 0.25		INITIAL REVISION:			DOCUMENT NUMBER SD-73415-618				
1 PLACE ±		DRWN: SSHAH 2007/05/11							
0 PLACES ±		APPR: JWIENER 2007/05/11			DOC TYPE PSD				
DRAFT WHERE APPLICABLE MUST REMAIN WITHIN DIMENSIONS		THIRD ANGLE PROJECTION		DRAWING					
				C-SIZE	73415	SEE TABLE		GENERAL MARKET	1 OF 1

DOCUMENT STATUS	P1	RELEASE DATE	2019/12/06	07:42:40
-----------------	----	--------------	------------	----------

MATERIALS AND FINISHES:

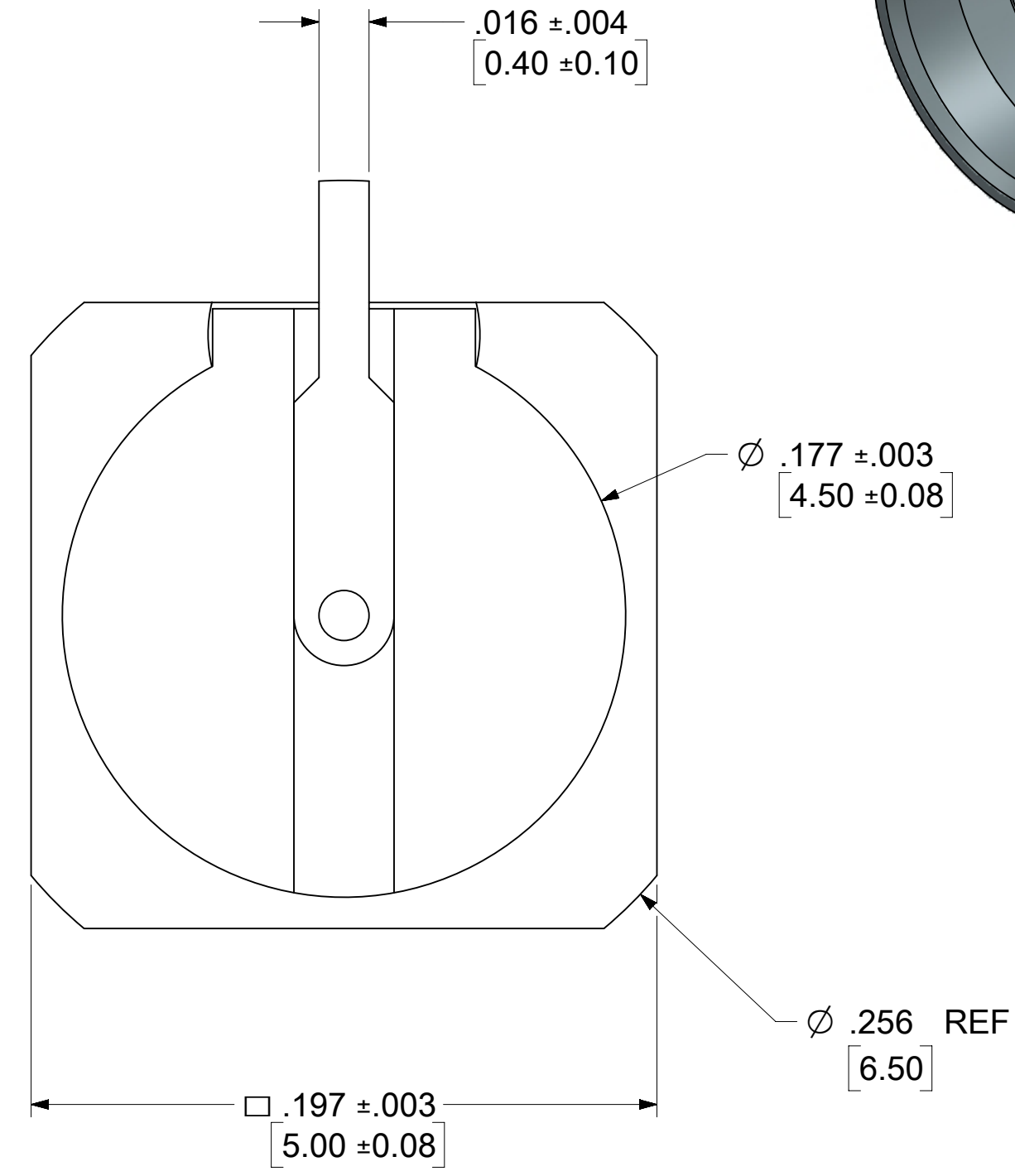
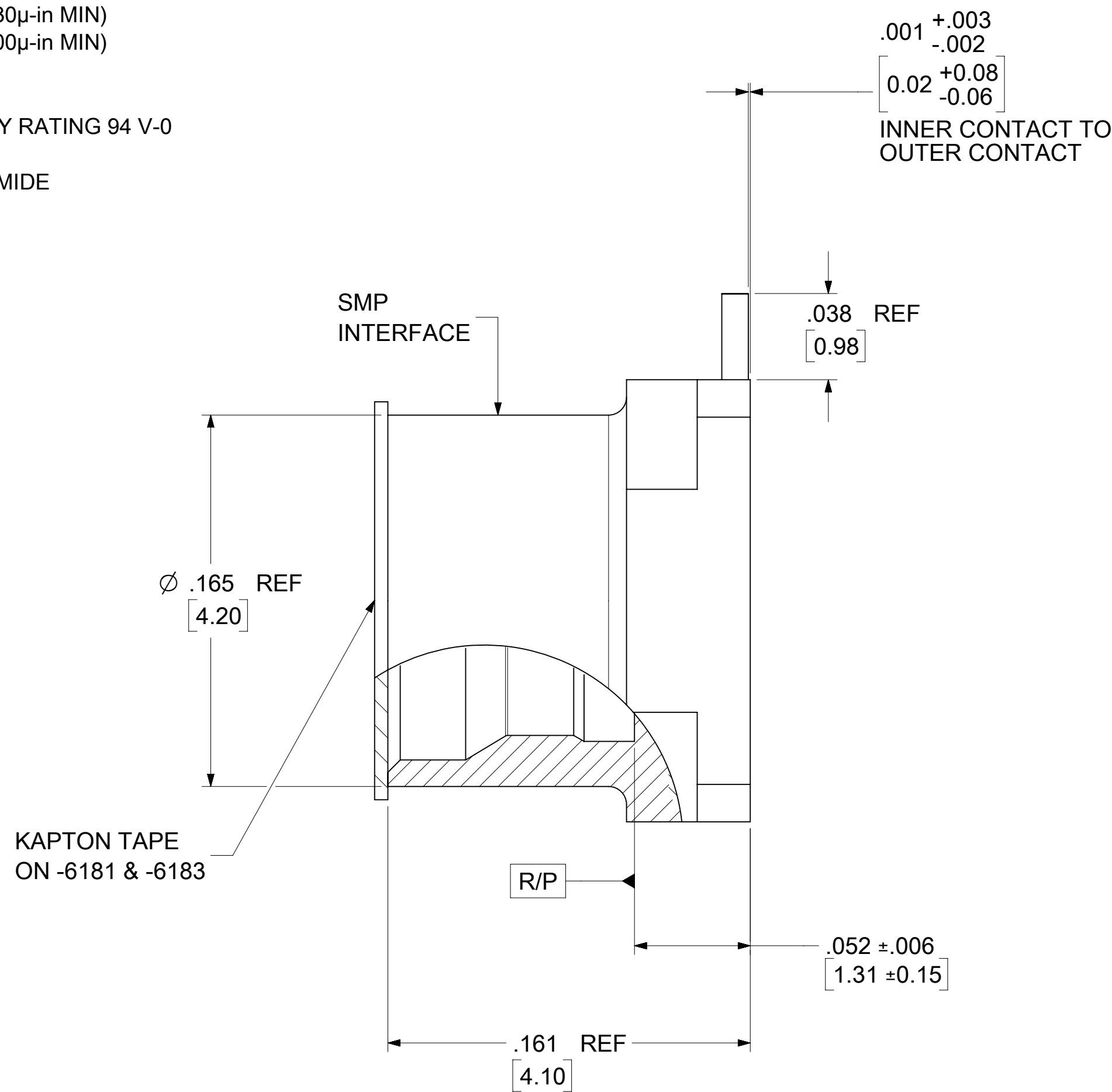
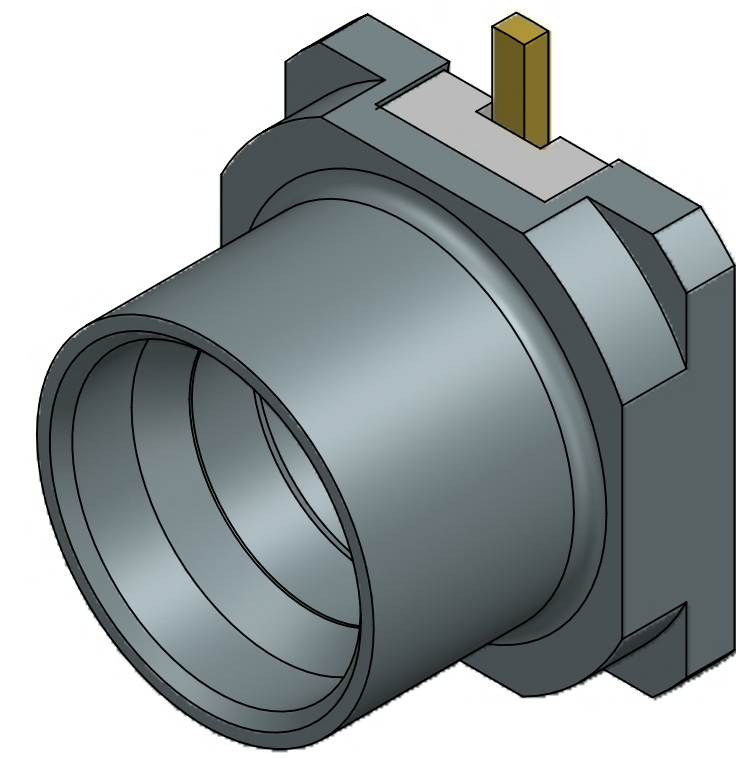
INNER & OUTER CONTACT: BRASS
 PLATED: GOLD (30µ-in MIN)
 OVER NICKEL (100µ-in MIN)

INSULATOR: LCP
 UL FLAMMABILITY RATING 94 V-0

KAPTON: POLYAMIDE
 COLOR: AMBER

TAPE: SHEET 3

REEL: SHEET 4



73415-6183	85305-0232, TAPE AND REEL WITH KAPTON TAPE	1K PER REEL	1K PER CARTON
73415-6182	85305-0232, TAPE AND REEL	1K PER REEL	1K PER CARTON
73415-6181	85305-0232, TAPE AND REEL WITH KAPTON TAPE	1K PER REEL	7K PER CARTON
73415-6180	85305-0232, ONE PER BAG	ONE PER BAG	500 PER CARTON
85305-0232	TAPE AND REEL	1K PER REEL	7K PER CARTON
PART NO.	PACKAGING	QUANTITY	

PS-89675-3320	PRODUCT SPECIFICATION
MIL-STD-248, FIG 326-3	INTERFACE, SMP, LIMITED DETENT
SPECIFICATION	DESCRIPTION

DOCUMENT STATUS	P1	RELEASE DATE	2023/02/06 04:17:23
-----------------	----	--------------	---------------------

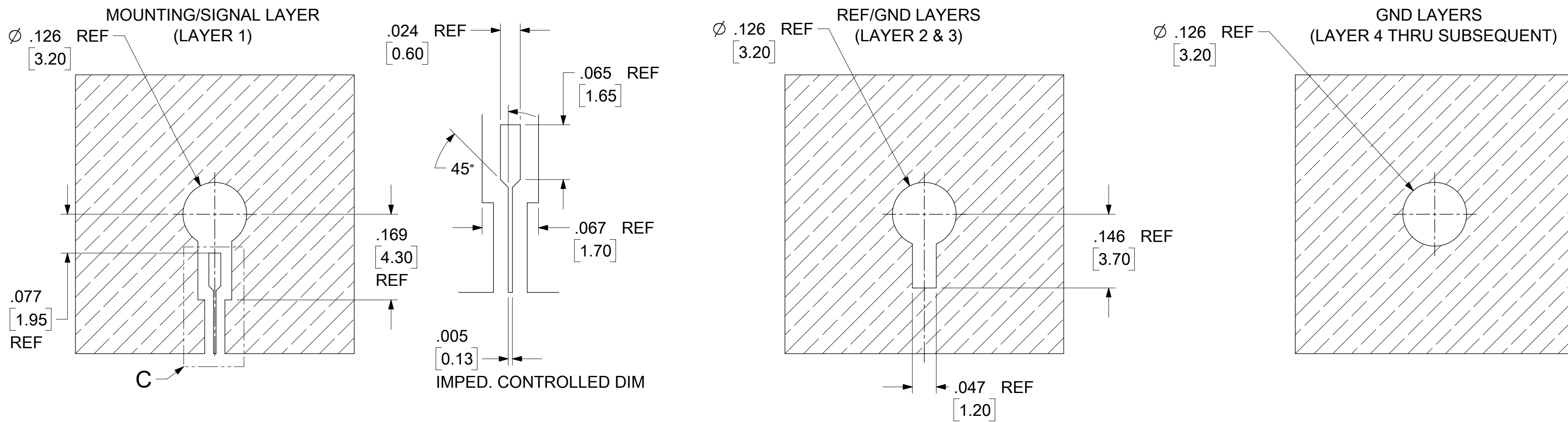
THIS DRAWING CONTAINS INFORMATION THAT IS PROPRIETARY TO MOLEX ELECTRONIC TECHNOLOGIES, LLC AND SHOULD NOT BE USED WITHOUT WRITTEN PERMISSION

DIMENSION UNITS	SCALE	CURRENT REV DESC: SHOW BOX SIZE AND QTY IN THE BOX PER EWR #15646-A	
INCH/MM	NTS		
GENERAL TOLERANCES (UNLESS SPECIFIED)		EC NO: 737089	
	MM	INCH	
4 PLACES	±	±	DRWN: RYEH 2023/01/19
3 PLACES	±	± 0.005	CHK'D: YCHENG 2023/02/06
2 PLACES	± 0.13	± 0.01	APPR: YCHENG 2023/02/06
1 PLACE	± 0.25	±	INITIAL REVISION:
0 PLACES	±	±	DRWN: AROBERTSON 2005/07/29
ANGULAR TOL	± 2.0 °		APPR: JWIENER 2005/08/01
DRAFT WHERE APPLICABLE MUST REMAIN WITHIN DIMENSIONS	THIRD ANGLE PROJECTION	DRAWING	SERIES
		C-SIZE	85305

SMP, PLUG SMT			
LIMITED DETENT SMP-P/PCB, EWR-11818			
PRODUCT CUSTOMER DRAWING			
DOCUMENT NUMBER	DOC TYPE	DOC PART	REVISION
SD-85305-0232	PSD	001	B18
MATERIAL NUMBER	CUSTOMER	SHEET NUMBER	
SEE TABLE		1 OF 5	

PCB CONNECTOR LAUNCH / PAD (FOR REFERENCE ONLY)

ALL HATCHED SURFACES SHOWN BELOW ARE COPPER (Cu)



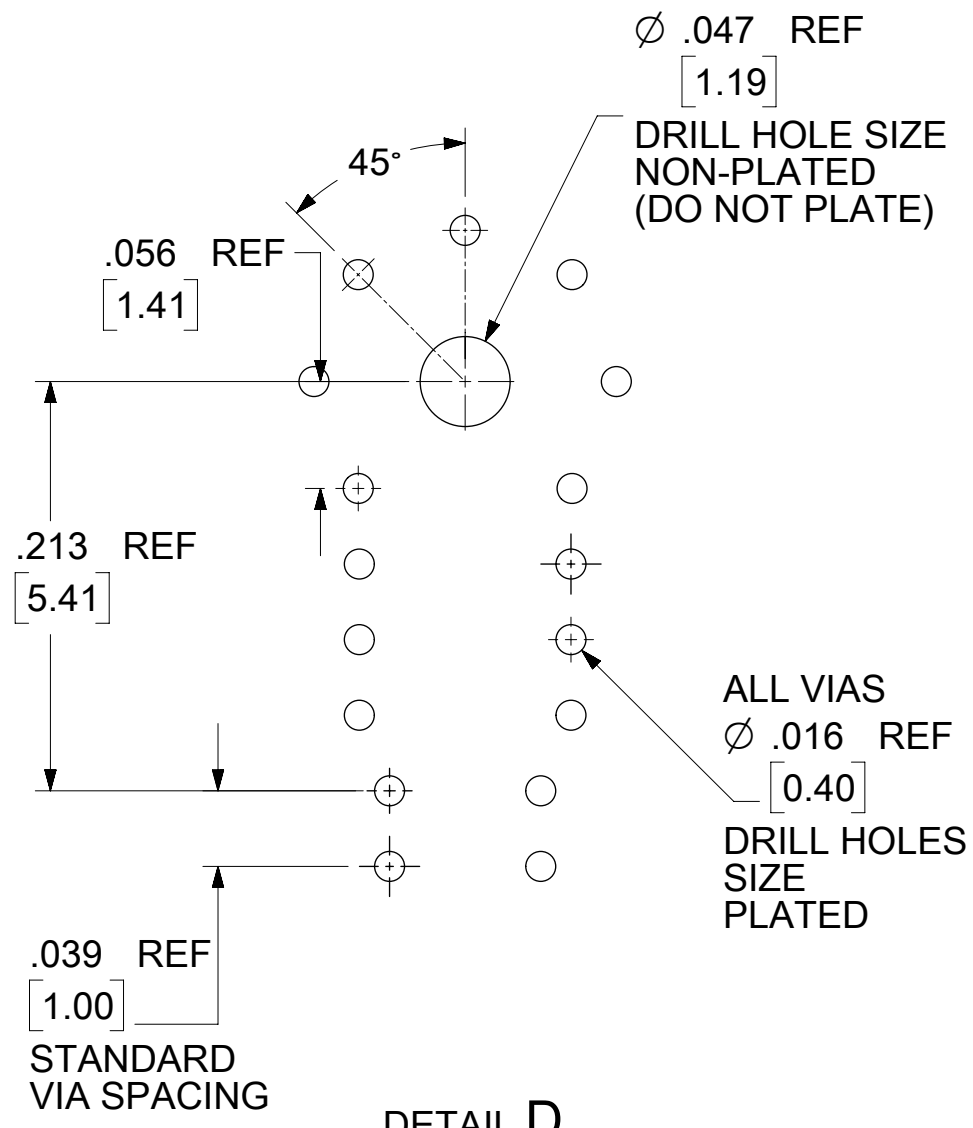
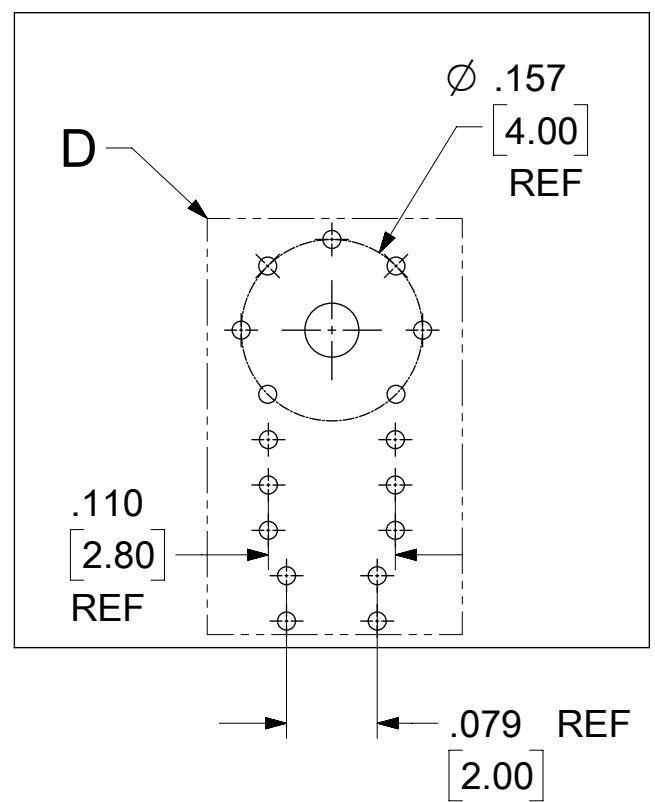
DETAIL C

PCB STACK UP

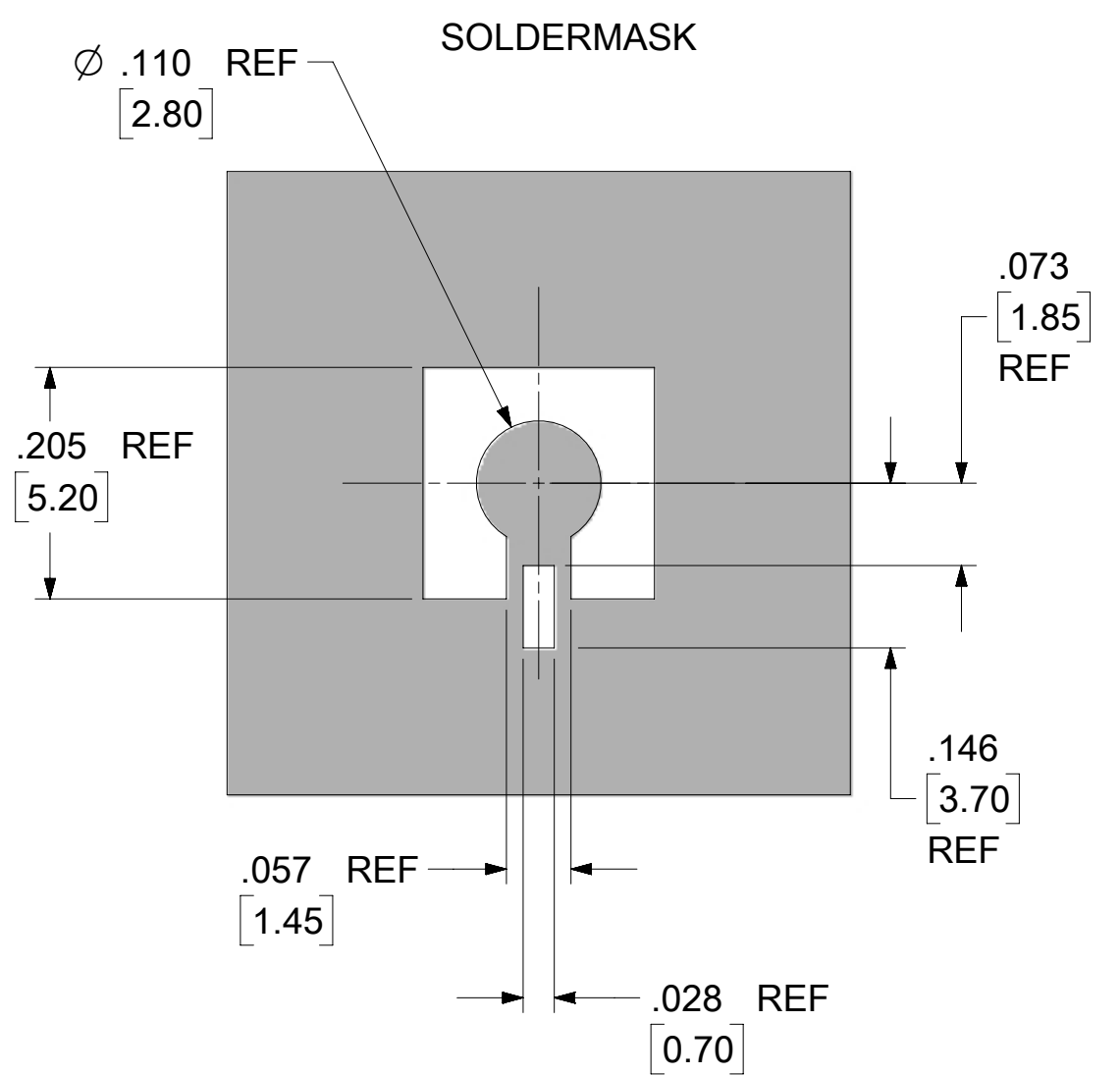
LAYER	MATERIAL	Dk	THICKNESS (MM)
1	1/2 oz. Cu + PLATING		0.0434
	ISOLA FR408	3.67	0.07
2	1/2 oz. Cu		0.018
	ISOLA FR408	3.67	0.1464
3	1/2 oz. Cu		0.018
	ISOLA FR408	3.67	0.6784
4*	1/2 oz. Cu		0.018

* SUBSEQUENT LAYERS MAY BE ADDED AS REQUIRED FOR INDIVIDUAL APPLICATIONS

VIAS AND THRU HOLES



DETAIL D



TYPICAL PERFORMANCE CHARACTERISTICS WITH CONNECTOR AND PCB LAUNCH SHOWN

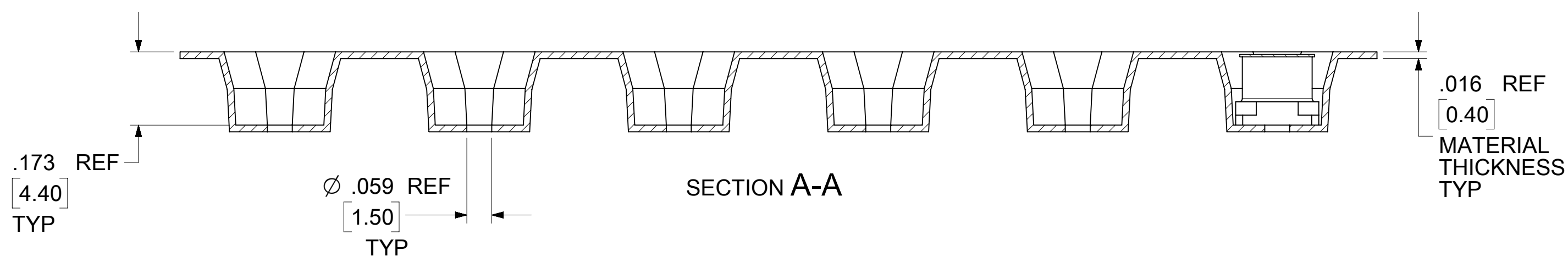
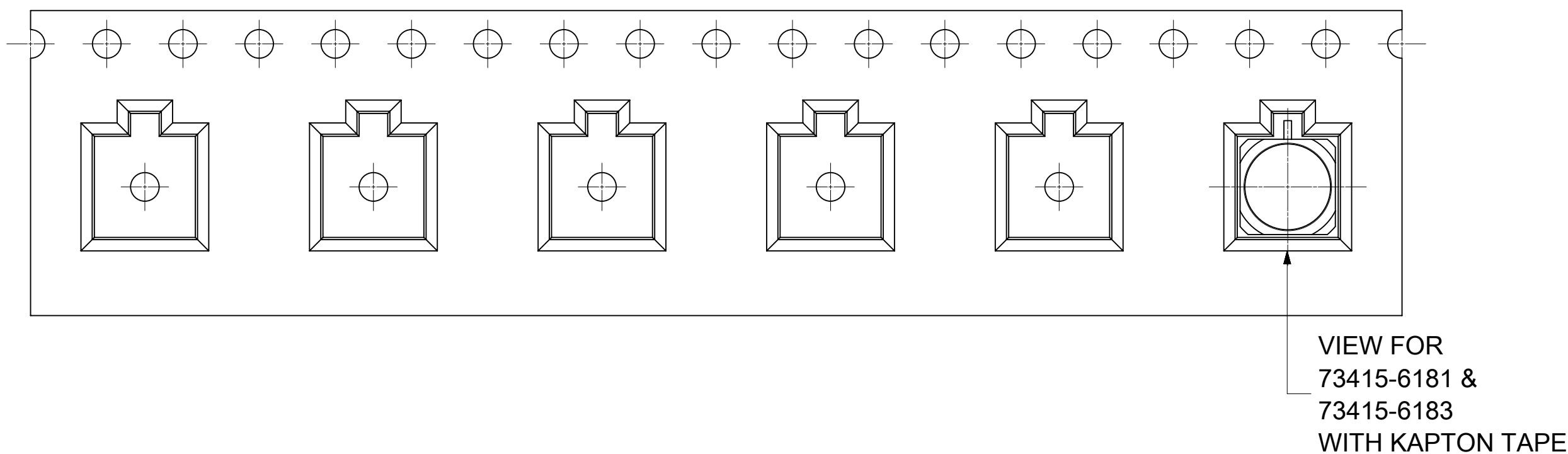
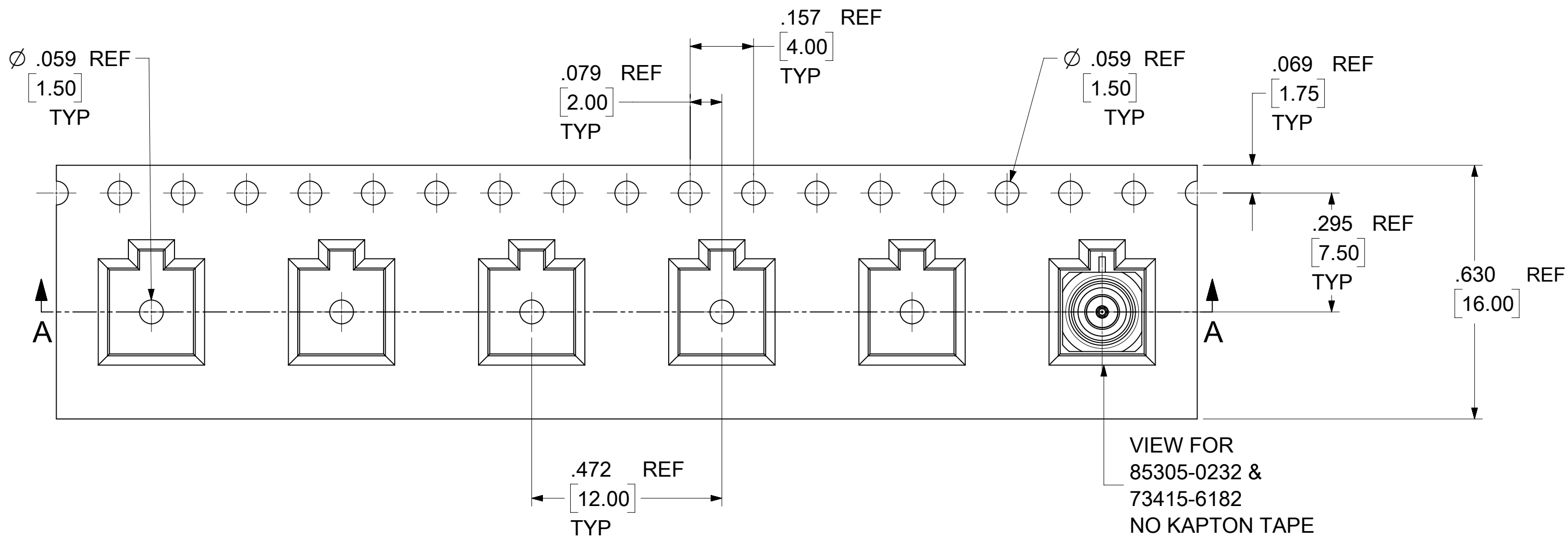
Typical Return Loss	FREQUENCY BAND
20dB	DC TO 18GHz

VARYING PCB STACKUPS AND PCB LAUNCH WILL RESULT IN VARYING RESULTS

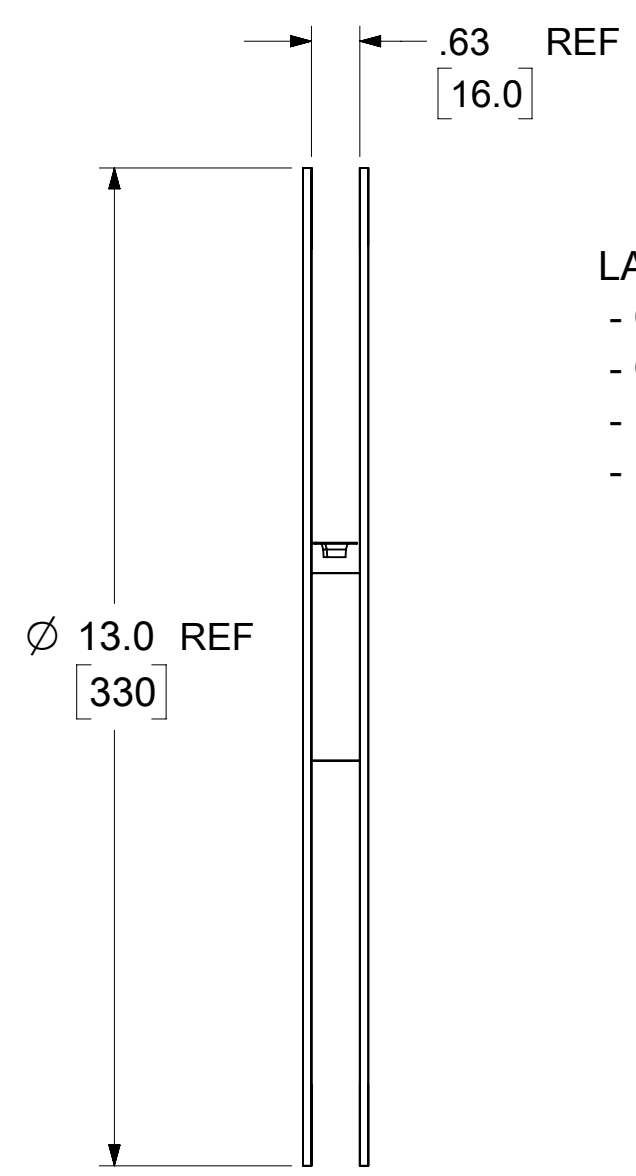
CONTACT MOLEX RF / MICROWAVE FOR APPLICATION SPECIFIC ASSISTANCE

THIS DRAWING CONTAINS INFORMATION THAT IS PROPRIETARY TO MOLEX ELECTRONIC TECHNOLOGIES, LLC AND SHOULD NOT BE USED WITHOUT WRITTEN PERMISSION

DIMENSION UNITS	SCALE	CURRENT REV DESC: SHOW BOX SIZE AND QTY IN THE BOX PER EWR #15646-A	molex		
INCH/MM	NTS				
GENERAL TOLERANCES (UNLESS SPECIFIED)			SMP, PLUG SMT LIMITED DETENT SMP-P/PCB, EWR-11818		
4 PLACES	±	±	EC NO: 737089	2023/01/19	
3 PLACES	±	± 0.005	DRWN: RYEH	2023/02/06	
2 PLACES	±	0.13 ± 0.01	CHK'D: YCHENG	2023/02/06	
1 PLACE	±	0.25 ±	APPR: YCHENG		
0 PLACES	±	±	INITIAL REVISION:		
ANGULAR TOL	±	2.0 °	DRWN: AROBERTSON	2005/07/29	DOCUMENT NUMBER
DRAFT WHERE APPLICABLE MUST REMAIN WITHIN DIMENSIONS			APPR: JWIENER	2005/08/01	SD-85305-0232
THIRD ANGLE PROJECTION			DRAWING	SERIES	DOC TYPE DOC PART REVISION
C-SIZE			85305	SEE TABLE	PSD 001 B18
MATERIAL NUMBER			CUSTOMER	SHEET NUMBER	
SEE TABLE				2 OF 5	

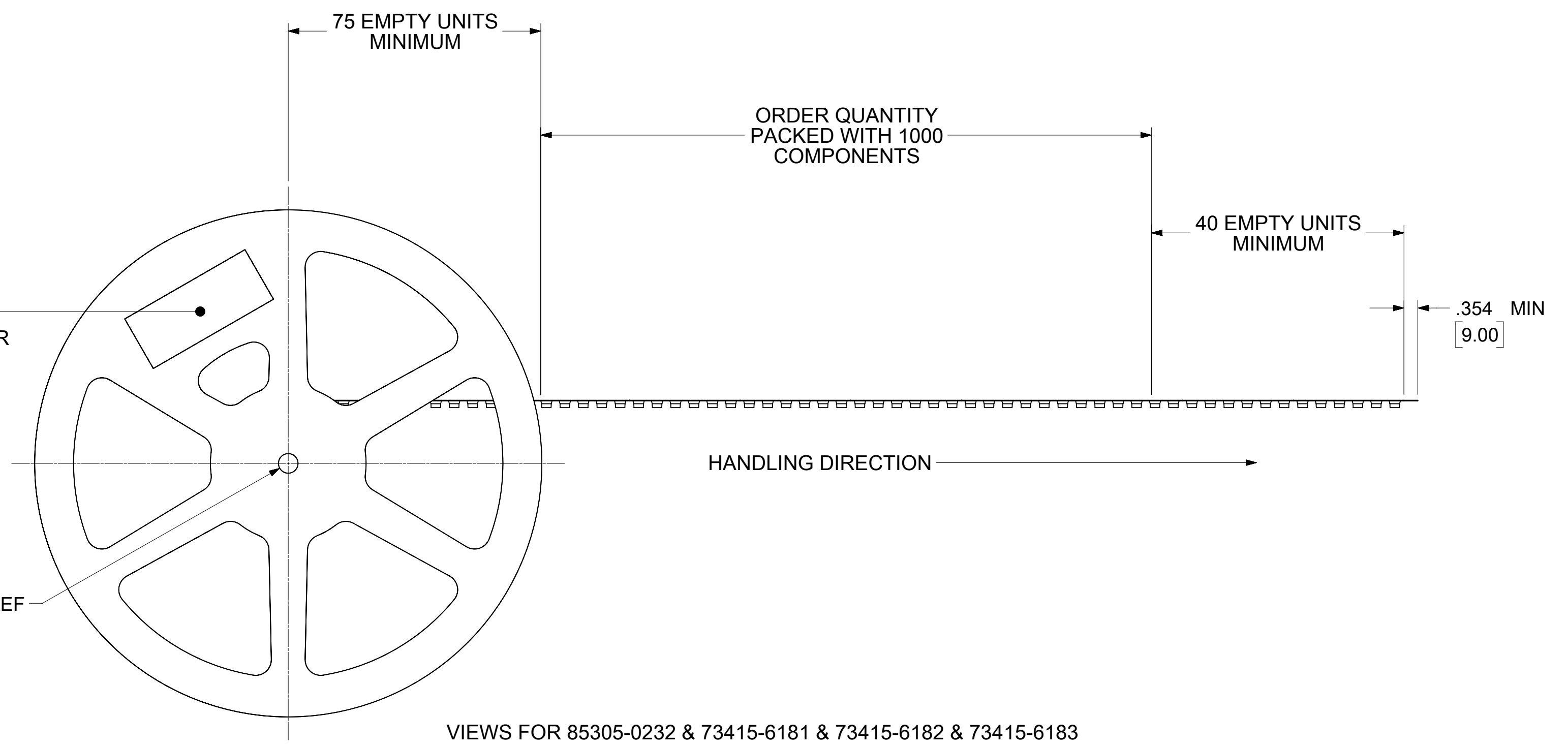


THIS DRAWING CONTAINS INFORMATION THAT IS PROPRIETARY TO MOLEX ELECTRONIC TECHNOLOGIES, LLC AND SHOULD NOT BE USED WITHOUT WRITTEN PERMISSION									
DIMENSION UNITS INCH/MM		SCALE NTS		CURRENT REV DESC: SHOW BOX SIZE AND QTY IN THE BOX PER EWR #15646-A				molex	
GENERAL TOLERANCES (UNLESS SPECIFIED)				EC NO: 737089		2023/01/19			
4 PLACES ±		±		DRWN: RYEH		2023/02/06		SMP, PLUG SMT LIMITED DETENT SMP-P/PCB, EWR-11818	
3 PLACES ±		± 0.005		CHK'D: YCHENG		2023/02/06			
2 PLACES ±		0.13 ±		APPR: YCHENG		2023/02/06		PRODUCT CUSTOMER DRAWING	
1 PLACE ±		0.25 ±		INITIAL REVISION:		2005/07/29		DOCUMENT NUMBER	
0 PLACES ±		±		DRWN: AROBERTSON		2005/08/01		SD-85305-0232	
ANGULAR TOL ± 2.0 °				APPR: JWIENER				DOC TYPE DOC PART REVISION	
DRAFT WHERE APPLICABLE MUST REMAIN WITHIN DIMENSIONS				THIRD ANGLE PROJECTION		DRAWING		SERIES	
				C-SIZE		85305		MATERIAL NUMBER CUSTOMER SHEET NUMBER	
								SEE TABLE 3 OF 5	

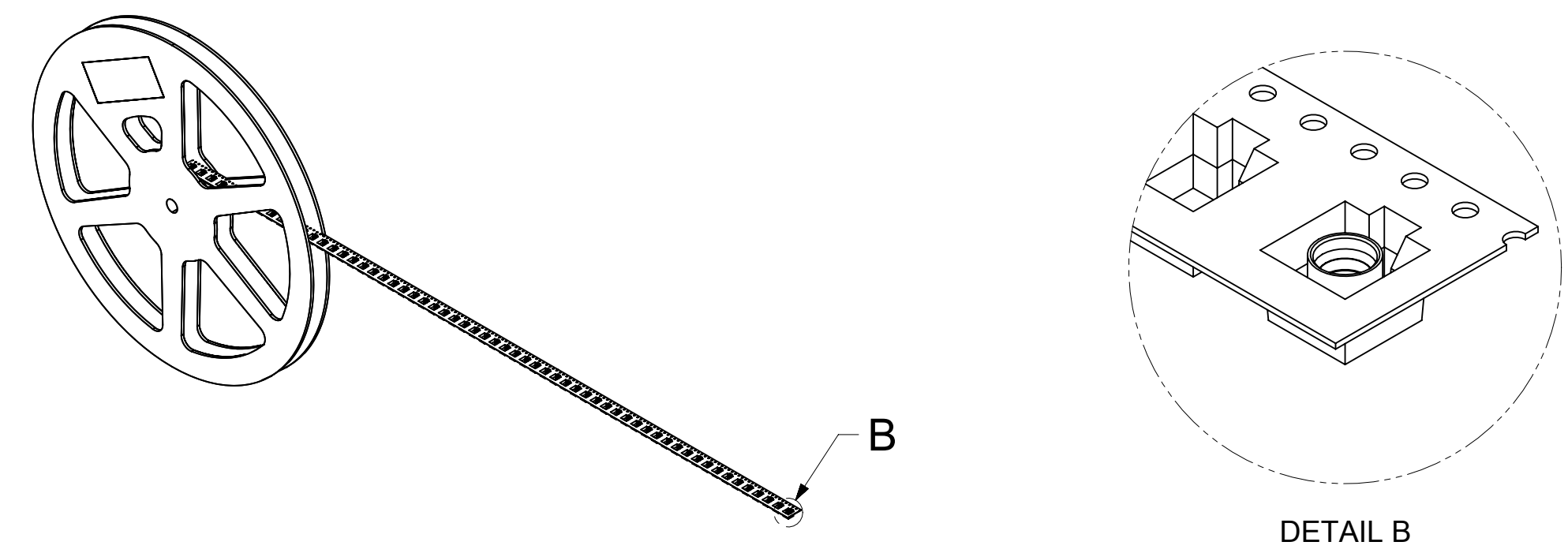


LABEL:
 - ORDER NO.
 - QUANTITY
 - PART NUMBER
 - LOT NUMBER

Ø .502 REF
 [12.75]

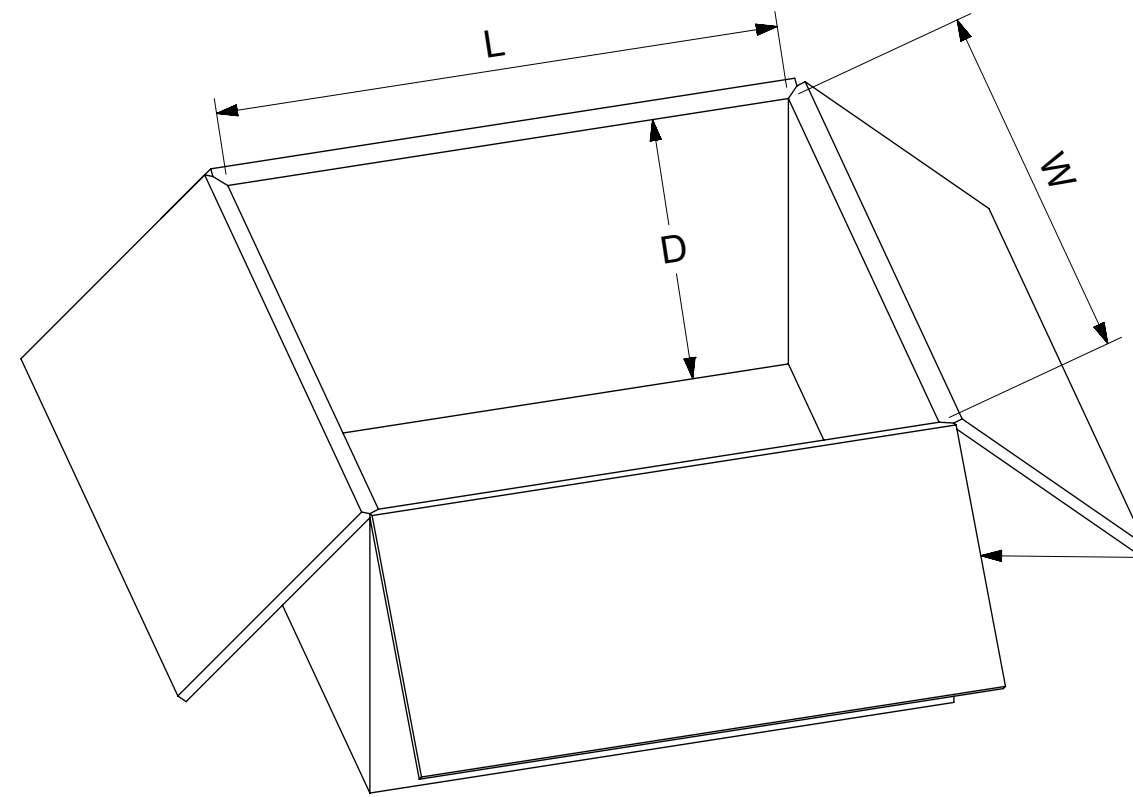


VIEWS FOR 85305-0232 & 73415-6181 & 73415-6182 & 73415-6183



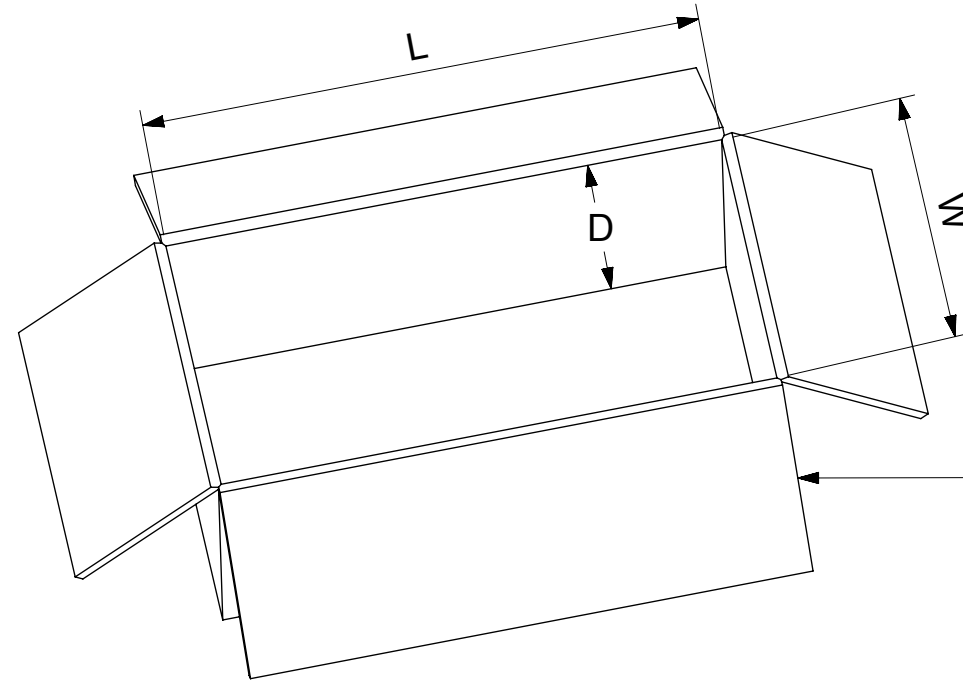
THIS DRAWING CONTAINS INFORMATION THAT IS PROPRIETARY TO MOLEX ELECTRONIC TECHNOLOGIES, LLC AND SHOULD NOT BE USED WITHOUT WRITTEN PERMISSION									
DIMENSION UNITS INCH/MM		SCALE NTS		CURRENT REV DESC: SHOW BOX SIZE AND QTY IN THE BOX PER EWR #15646-A			molex		
GENERAL TOLERANCES (UNLESS SPECIFIED)		EC NO: 737089			SMP, PLUG SMT LIMITED DETENT SMP-P/PCB, EWR-11818				
4 PLACES	±		±	DRWN: RYEH	2023/01/19	PRODUCT CUSTOMER DRAWING			
3 PLACES	±		± 0.005	CHK'D: YCHENG	2023/02/06	DOCUMENT NUMBER			
2 PLACES	±	0.13	± 0.01	APPR: YCHENG	2023/02/06	SD-85305-0232			
1 PLACE	±	0.25	±	INITIAL REVISION:		DOC TYPE	DOC PART	REVISION	
0 PLACES	±		±	DRWN: AROBERTSON	2005/07/29	PSD	001	B18	
ANGULAR TOL	±	2.0 °		APPR: JWIENER	2005/08/01	MATERIAL NUMBER		SHEET NUMBER	
DRAFT WHERE APPLICABLE MUST REMAIN WITHIN DIMENSIONS		THIRD ANGLE PROJECTION		DRAWING	SERIES	CUSTOMER		4 OF 5	
					C-SIZE	85305	SEE TABLE		

DOCUMENT STATUS	P1	RELEASE DATE	2023/02/06	04:17:23
-----------------	----	--------------	------------	----------



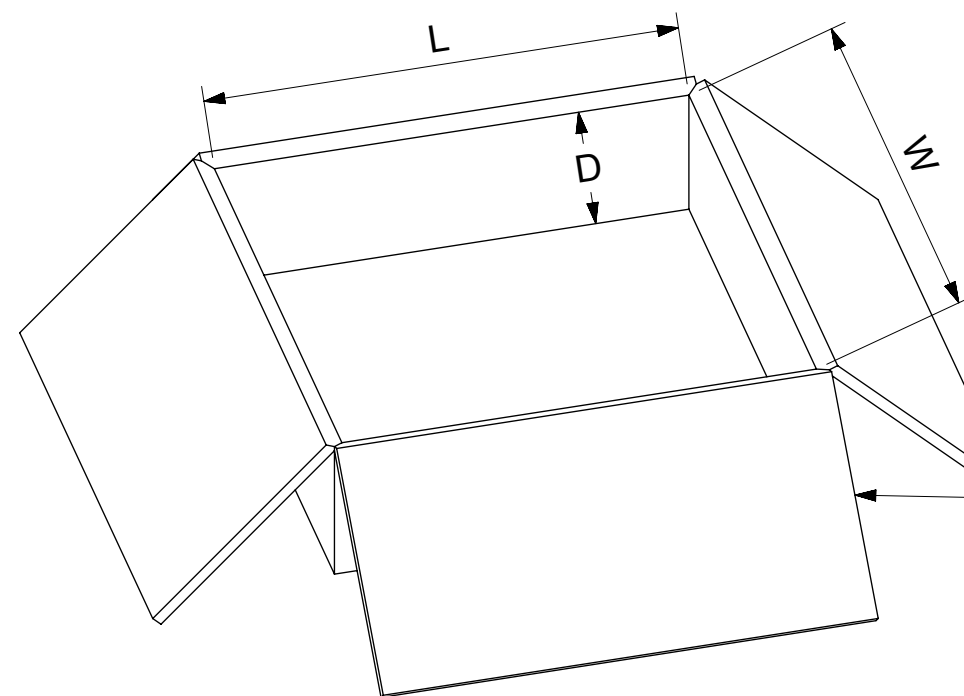
1K PCS PER REEL
 7 REELS PER CARTON
 7 X 1000 = 7K PCS
 MAXIMUM OUTSIDE SIZE (mm):
 L=393.94
 W=390.92
 D=211.89

VIEW FOR 85305-0232 & 73415-6181



1 PC PER BAG
 500 PCS PER CARTON
 MAXIMUM OUTSIDE SIZE (mm):
 L=571.94
 W=183.94
 D=191.87

VIEW FOR 73415-6180



1K PCS PER REEL
 1 REEL PER CARTON
 1 X 1000 = 1K PCS
 MAXIMUM OUTSIDE SIZE (mm):
 L=340
 W=340
 D=100

VIEW FOR 73415-6182 & 73415-6183

73415-6183	85305-0232, TAPE AND REEL WITH KAPTON TAPE	1K PER REEL	1K PER CARTON
73415-6182	85305-0232, TAPE AND REEL	1K PER REEL	1K PER CARTON
73415-6181	85305-0232, TAPE AND REEL WITH KAPTON TAPE	1K PER REEL	7K PER CARTON
73415-6180	85305-0232, ONE PER BAG	ONE PER BAG	500 PER CARTON
85305-0232	TAPE AND REEL	1K PER REEL	7K PER CARTON
PART NO.	PACKAGING	QUANTITY	

THIS DRAWING CONTAINS INFORMATION THAT IS PROPRIETARY TO MOLEX ELECTRONIC TECHNOLOGIES, LLC AND SHOULD NOT BE USED WITHOUT WRITTEN PERMISSION									
DIMENSION UNITS INCH/MM		SCALE NTS		CURRENT REV DESC: SHOW BOX SIZE AND QTY IN THE BOX PER EWR #15646-A			molex		
GENERAL TOLERANCES (UNLESS SPECIFIED)				EC NO: 737089					
4 PLACES ±		±		DRWN: RYEH 2023/01/19			SMP, PLUG SMT LIMITED DETENT SMP-P/PCB, EWR-11818		
3 PLACES ±		± 0.005		CHK'D: YCHENG 2023/02/06					
2 PLACES ±		± 0.13 ± 0.01		APPR: YCHENG 2023/02/06			PRODUCT CUSTOMER DRAWING		
1 PLACE ±		±		INITIAL REVISION:			DOCUMENT NUMBER		
0 PLACES ±		±		DRWN: AROBERTSON 2005/07/29			SD-85305-0232		
ANGULAR TOL ± 2.0 °				APPR: JWIENER 2005/08/01			PSD	001	B18
DRAFT WHERE APPLICABLE MUST REMAIN WITHIN DIMENSIONS		THIRD ANGLE PROJECTION		DRAWING	SERIES	MATERIAL NUMBER		CUSTOMER	SHEET NUMBER
		C-SIZE		85305	SEE TABLE				5 OF 5