

TRF37x32 EVM

The TRF37x32 EVM board enables measurements of the TRF37x32 family of wideband dual down-convert mixers with integrated intermediate frequency (IF) amplifiers. The device employs integrated baluns for single-ended radio frequency (RF) and local oscillator (LO) inputs. The IF amplifier operates from 30 MHz to 500 MHz in an open collector topology to support a variety of IF frequencies and bandwidths. The TRF37x32 provides excellent mixer spurious performance and offers good isolation between channels for operation with diverse applications. The low-power mode allows operation at reduced power dissipation and the fast response power-down feature facilitates operation in TDD applications. Indicator components are located on the top side of the EVM to easily identify the component assembled on the board.

Table 1. Device Frequency Ranges

Device	Extended					Unit
	MIN	Primary			MAX	
		MIN	TYP	MAX		
TRF37A32	300	700	825	950	1400	MHz
TRF37B32	1200	1700	1950	2200	2700	MHz
TRF37C32	2000	2300	2600	2900	4000	MHz

Contents

1	Quickstart Operating Procedures	2
2	EVM Setup.....	2
2.1	EVM Power Supply	2
2.2	EVM Control	3
2.3	Signal Chain Setup	4
3	Physical Description	5
3.1	Schematic.....	5
3.2	Layout	7
3.3	Stackup.....	9
3.4	Bill of Materials	10

List of Figures

1	TRF37x32 EVM Schematic (1 of 3)	5
2	FTRF37x32 EVM Schematic (2 of 3)	6
3	TRF37x32 EVM Schematic (3 of 3)	6
4	Top Layer	7
5	Layer 2, Ground.....	7
6	Layer 3, Power	8
7	Layer 4, Power	8
8	Layer 5, Ground.....	9
9	Bottom Layer	9
10	Stackup.....	9

List of Tables

1	Device Frequency Ranges	1
2	Power Supply Configuration Options.....	2
3	Power Supply Controls and Indicators	3
4	Low-Power Mode Controls	3
5	Power-Down Mode Controls	3
6	USB Control Configuration	4
7	Bill of Materials	10

1 Quickstart Operating Procedures

These steps describe the evaluation module setup for basic operation on an EVM with default hardware configuration:

1. Connect the mini-USB connector. LED D2 draws power through the mini-USB connector and should light immediately. D1 indicates 5-V power and should also light immediately.
2. Connect an RF source to RFINA on J1. Frequency ranges are given in [Table 1](#).
3. Connect an LO source to LO on J4 with a nominal frequency offset of 200 MHz and a nominal amplitude of 0 dBm
4. Connect the IFAP output on J9 to a spectrum analyzer

2 EVM Setup

The TRF37x32 EVM enables several supply options allowing easy setup and maximum evaluation flexibility.

2.1 EVM Power Supply

The TRF37x32 device operates with a 3.3-V supply. The EVM includes a TPS74201IRGW ultra-low noise LDO so that standard 5-V supply sources may be used to generate 3.3 V. In its default shipping configuration, the EVM is set to draw power from a USB port. The USB may be used to supply power without any need for USB communication. A standard 5-V power supply may instead be used as the supply source through plug J10 or TP8. The most testing flexibility is achieved by directly supplying 3.3 V from a lab supply. The 3.3-V supply connection also uses an SMA connector for mechanical robustness. Only one of the three supply options may be used.

Table 2. Power Supply Configuration Options

Source	JP4	JP5	J5	J7	J10
5-V USB	pins 1-2, REG	pins 1-2, 5VUSB	USB	do not care	do not care
5-V wall	pins 1-2, REG	pins 2-3, 5VEXT	do not care	do not care	5 V
3.3-V lab	pins 2-3, EXT	do not care	do not care	3.3 V	do not care

Table 3. Power Supply Controls and Indicators

Reference Designator	Label	Function
JP4	EXT, REG	Selects device 3.3-V VCC from external connector J7 or on-board regulated supply Pins 1-2 = Regulated supply Pins 2-3 = External connector J7
JP5	5VUSB, 5VEXT	Selects 5-V supply to be regulated down to 3.3 V Pins 1-2 = 5 V through USB Pins 2-3 = 5 V through J10 or TP8
J5	USB	Mini-USB input jack
J7	3P3V_EXT	External 3.3-V input connector
J10	5V	External 5-V input jack
TP8	TP8	External 5-V input clip connector
D1	5V	LED indicator for 5 V at input to LDO regulator, either through USB or external input
D2	USB_PWR	LED indicator for USB 5 V, prior to JP5

2.2 EVM Control

The EVM provides control over all device configurations including low-power mode and channel power-down control. The boards ship configured for manual control, although they can also be controlled through the USB port.

2.2.1 Low-Power Mode

Low-power mode reduces power consumption of the TRF37x32 device, trading linearity performance. A high voltage on LPM activates low-power mode. JP3 provides a manual control point for LPM. Low-power mode can also be controlled through a testpoint clip or through USB.

Table 4. Low-Power Mode Controls

Reference Designator	Label	Function
JP3	LPM, NORM or no label	Selects LPM Pins 1-2 = 0 V = Normal operation Pins 2-3 = 3.3 V = Low-power mode No jumper = Normal operation through internal pull-down
TP4	LPM	Clip point for LPM control

2.2.2 Power-Down Mode

Power-down mode allows individual channels to be disabled completely for minimal supply draw and interference. A high voltage on PD* activates power-down mode for the selected channel. Power-down mode can also be controlled through USB.

Table 5. Power-Down Mode Controls

Reference Designator	Label	Function
JP1	PU _p , PD _n	Selects PDA Pins 1-2 = 0 V = Normal operation Pins 2-3 = 3.3 V = Power-down mode No jumper = Normal operation through internal pull-down
JP2	PU _p , PD _n	Selects PDB Pins 1-2 = 0 V = Normal operation Pins 2-3 = 3.3 V = Power-down mode No jumper = Normal operation through internal pull-down

2.2.3 USB Control

It is possible to use the mini-USB port to control both LPM and PD*. The USB port connects to an FTDI FT245RL device, which may be used to drive arbitrary digital signals on its output channels. The board is shipped with the USB ports not connected; 0-Ω shorts must be installed to use USB controls. To avoid contention between the control driver and header control, control jumpers must be removed. Also, when both R17 and R18 are installed, independent control of the A and B channels is not possible.

There is no TRF37x32 GUI. Using the static control pins on the TRF37x42 GUI is also an available option.

Table 6. USB Control Configuration

Control Channel	Control	Install Component	Remove Jumper
D6	PDA	R18	JP1
D6	PDB	R17	JP2
D7	LPM	R16	JP3

2.3 Signal Chain Setup

Channel A and B paths are identical. By default, the RFIN paths contain no matching components but do offer pads.

The IFOUT paths each route two traces of differential pairs to output SMA connectors. The transformer performs a 4:1 impedance transform to interface between the 200-Ω differential device outputs and single-ended 50-Ω lab equipment. The N side of the differential pair is tied to ground. The transformer pads are compatible with 0402 components so that the user may connect to additional signal chain components. Insertion loss of the transformer is near 0.5 dB at 200-MHz IF frequencies and this must be considered when taking high-performance measurements.

The TRF37x32 is a high-performance device and measured performance is extremely dependent on proper equipment setup. Linearity measurements require excellent signal generator linearity and return loss. High-performance pads may be required in order to isolate generators that are coupled through combiners. Spectrum analyzers must be configured to accurately measure low-level tones such as third-order intermodulation tones.

3 Physical Description

This section describes the schematic, layout and stackup, and bill of materials (BOM).

3.1 Schematic

Figure 1 through Figure 3 illustrate the EVM schematics.

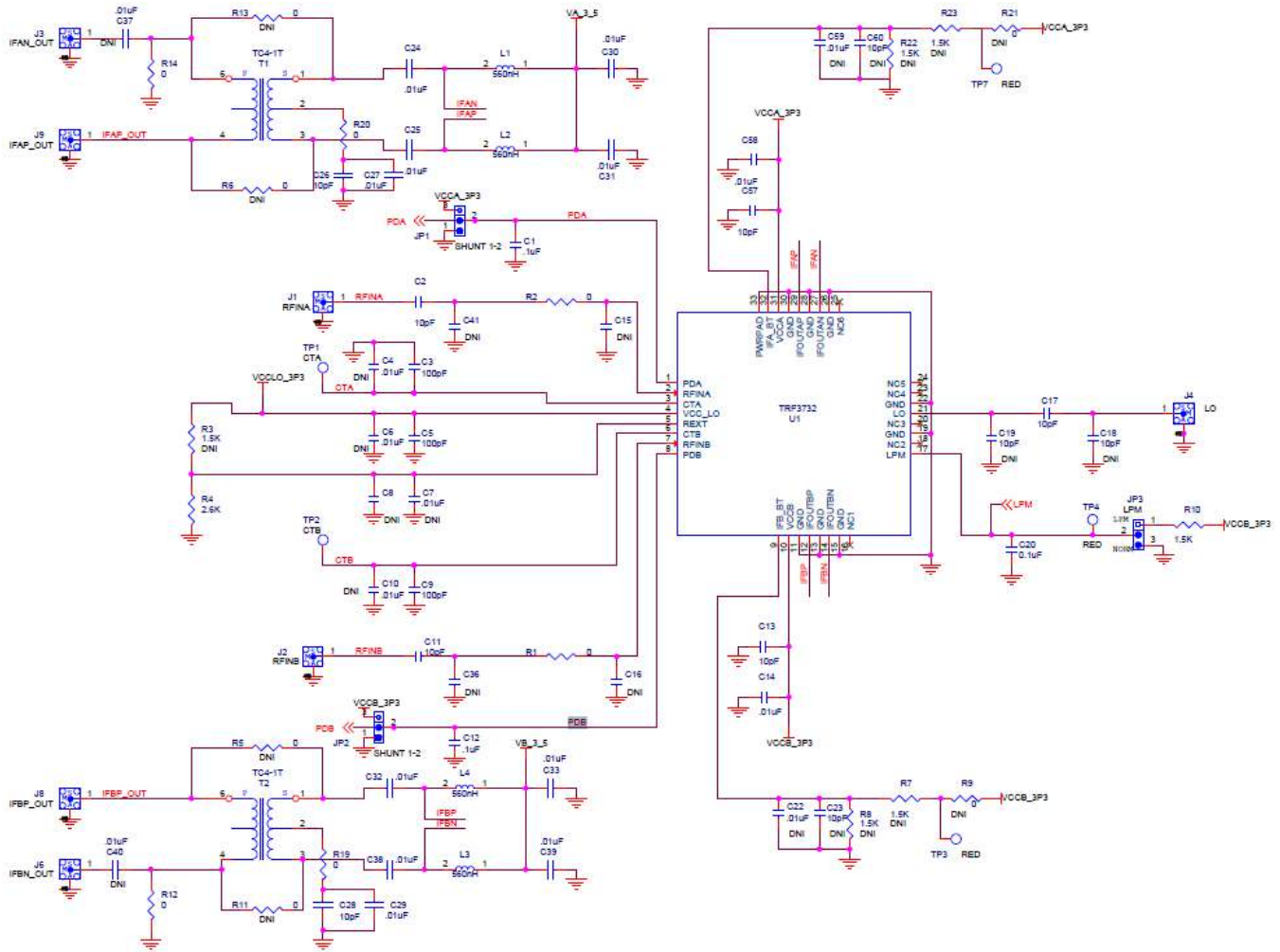


Figure 1. TRF37x32 EVM Schematic (1 of 3)

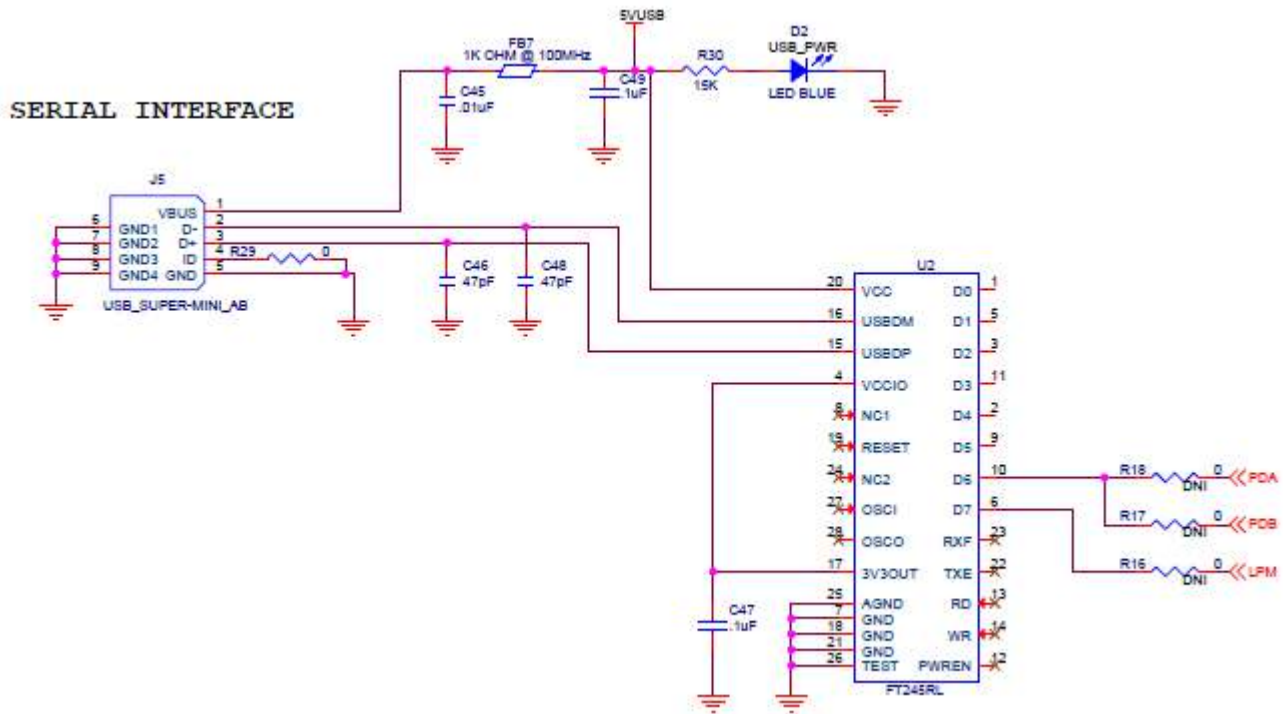


Figure 2. FTRF37x32 EVM Schematic (2of 3)

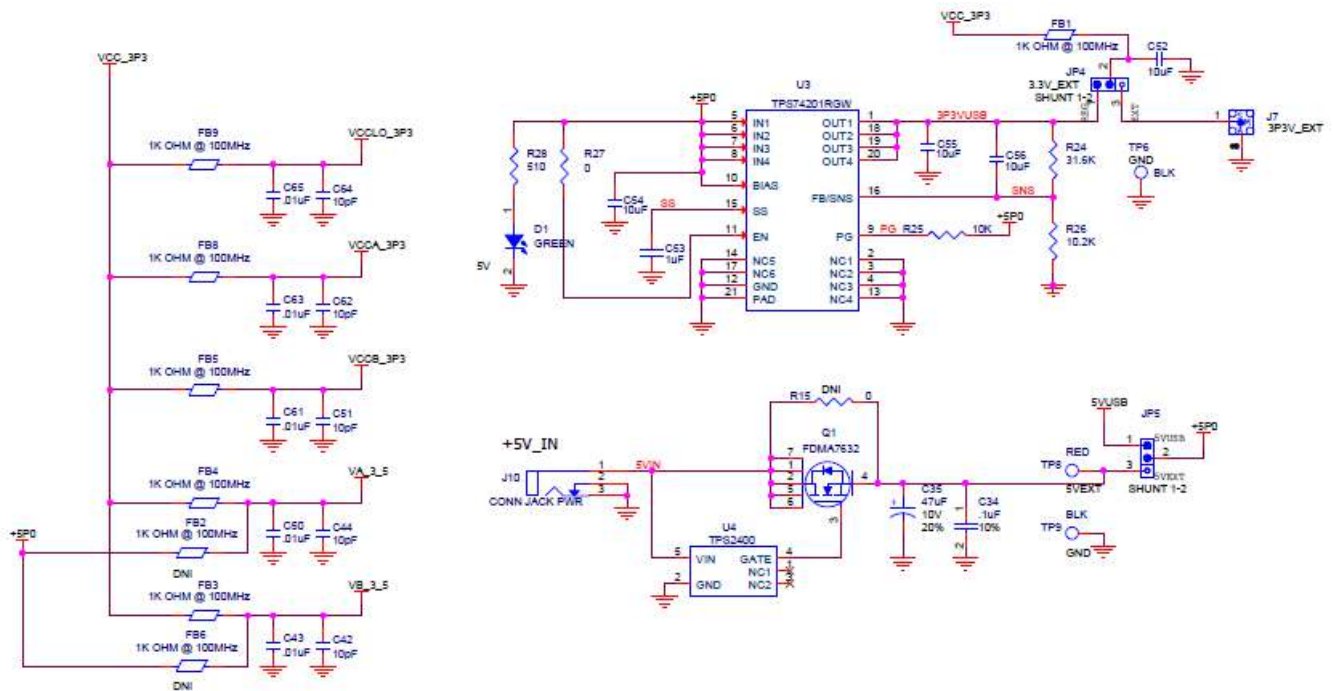


Figure 3. TRF37x32 EVM Schematic (3 of 3)

3.2 Layout

Figure 4 through Figure 9 illustrate the printed-circuit board layout views.

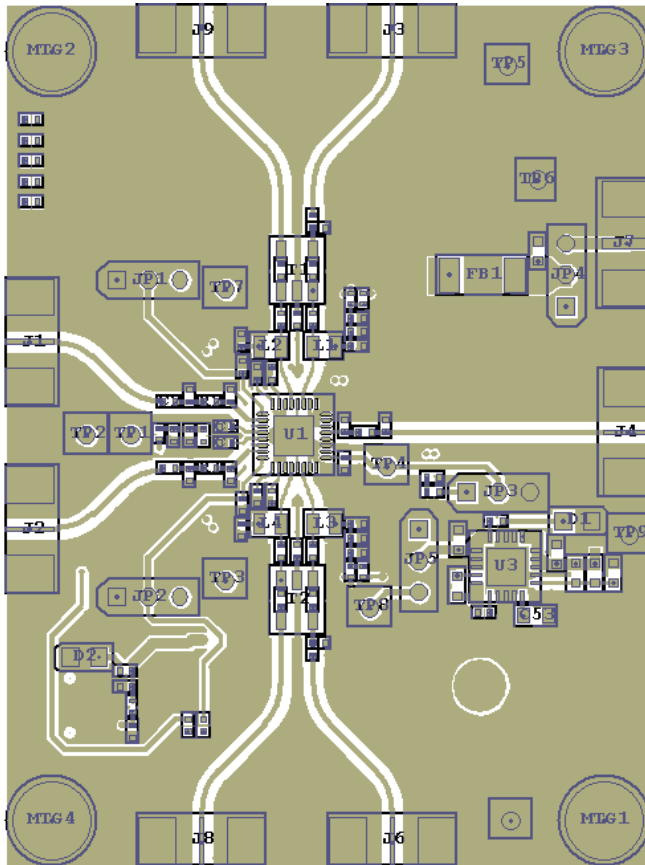


Figure 4. Top Layer

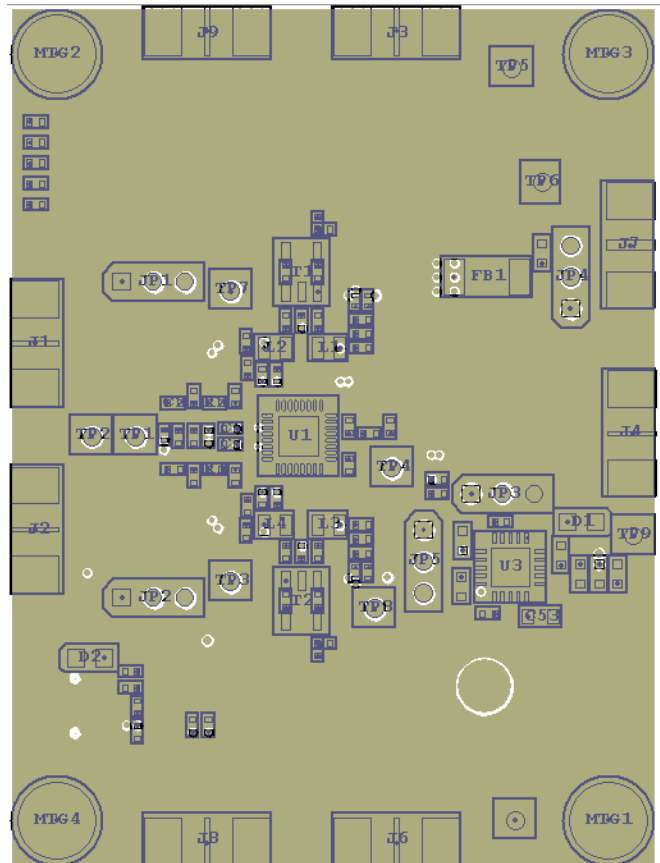


Figure 5. Layer 2, Ground

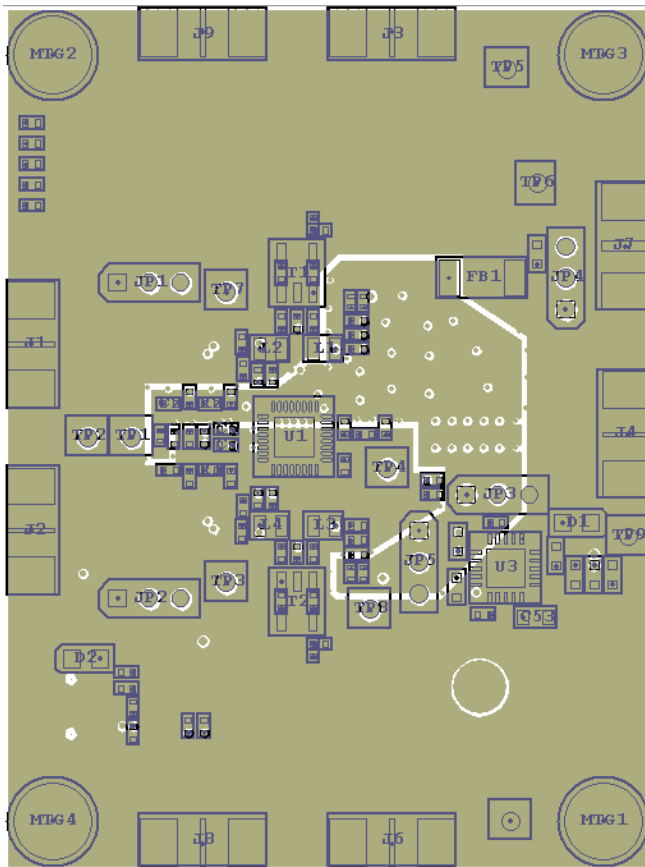


Figure 6. Layer 3, Power

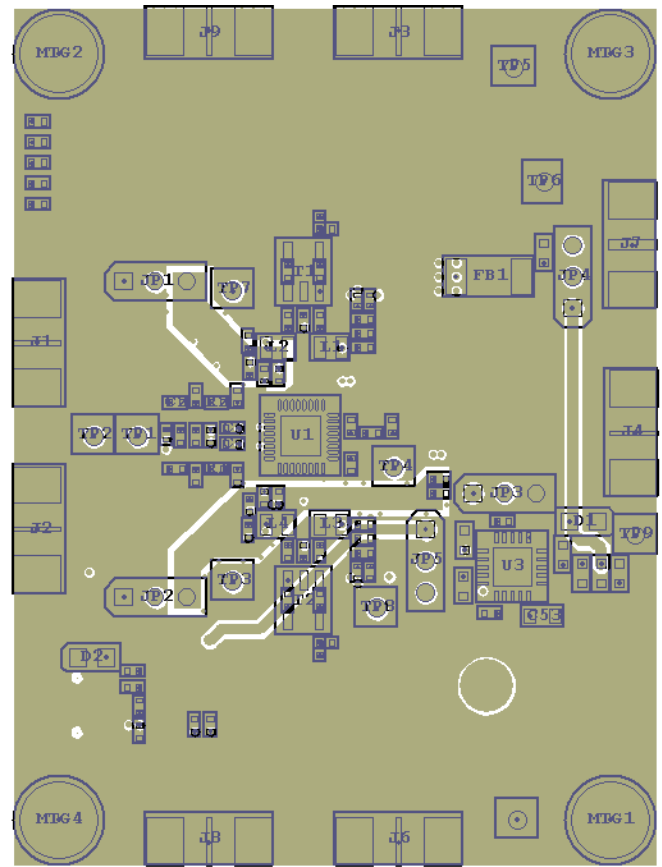


Figure 7. Layer 4, Power

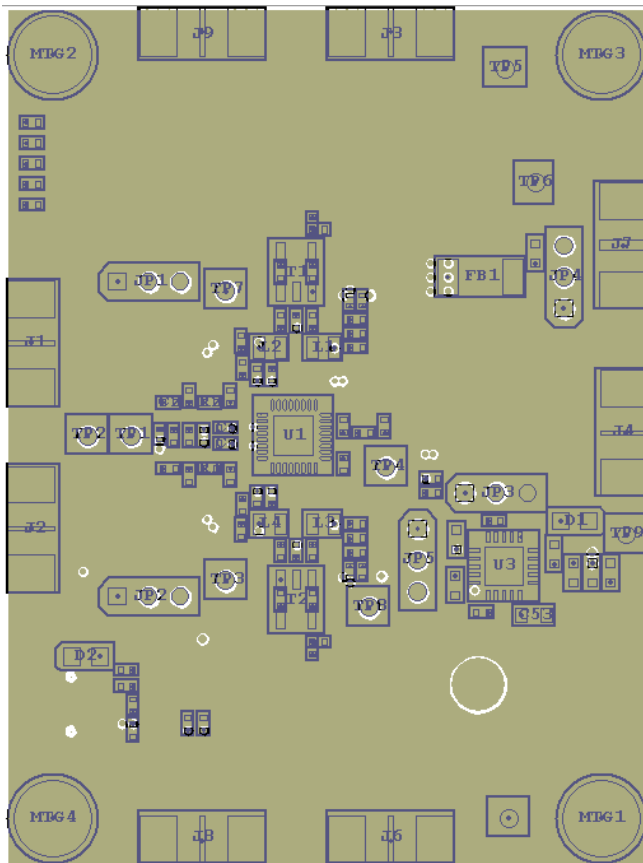


Figure 8. Layer 5, Ground

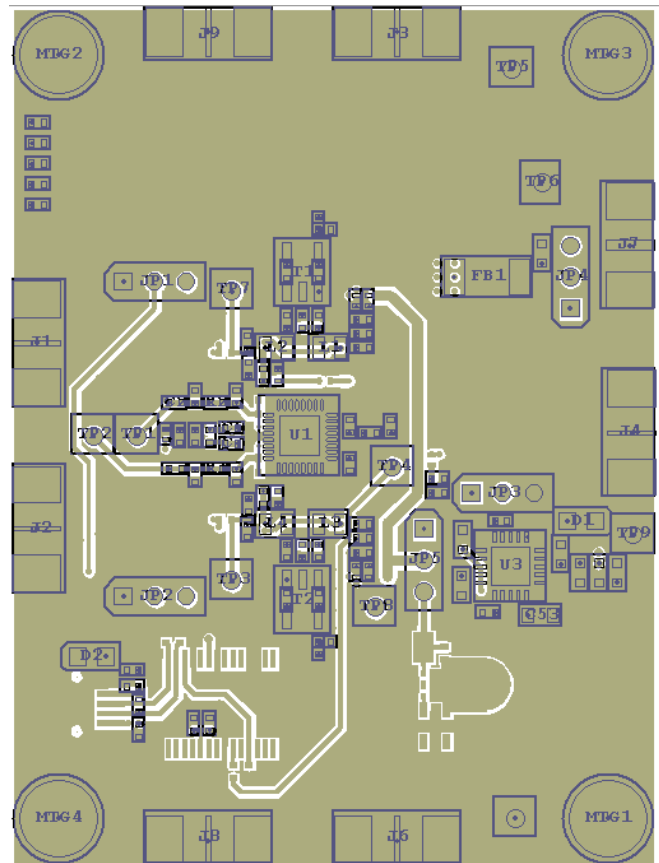


Figure 9. Bottom Layer

3.3 Stackup

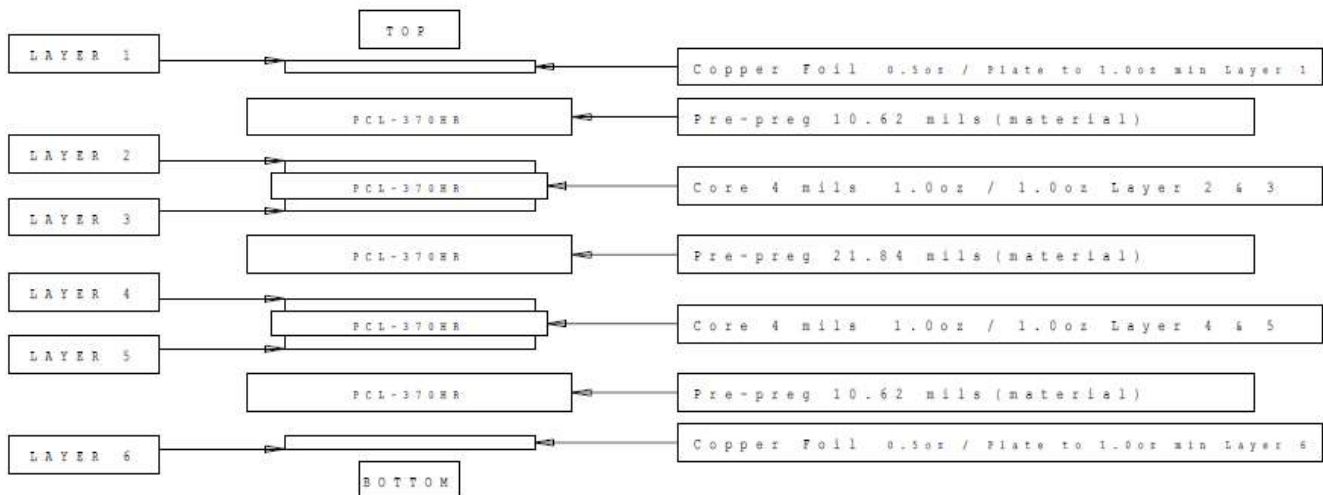


Figure 10. Stackup

3.4 Bill of Materials

Table 7 lists the BOM for this EVM.

Table 7. Bill of Materials

Qty	Reference	Part	Part Number	Mfr
2	C1, C12	0.1 μ F	GRM155R71C104KA88	Murata
10	C2, C11, C13, C17, C42, C44, C51, C57, C62, C64	10 pF	GRM1555C1H100JZ01D	Murata
3	C3, C5, C9	100 pF	GRM1555C1H101JA01D	Murata
DNI	C4, C7, C8, C10, C22, C59	0.01 μ F	GRM155R71H103KA88D	Murata
DNI	C6	0.01 μ F	GRM155R71E103KA01D	Murata
7	C14, C43, C50, C58, C61, C63, C65	0.01 μ F	GRM155R71H103KA88D	Murata
DNI	C15, C16, C36, C41	2.2 pF	GRM1555C1H2R2CA01D	Murata
DNI	C18, C19, C23, C60	10 pF	GRM1555C1H100JZ01D	Murata
1	C20	0.1 μ F	GRM155R61A104KA01D	Murata
10	C24, C25, C27, C29, C30, C31, C32, C33, C38, C39	0.01 μ F	GRM155R71E103KA01D	Murata
2	C26, C28	10 pF	04025U100FAT2A	AVX
1	C34	0.1 μ F	GRM155R61A104KA01D	Murata
1	C35	47 μ F	TPSB476K010R0500	AVX
DNI	C37, C40	0.01 μ F	GRM155R71E103KA01D	Murata
1	C45	0.01 μ F	GRM155R71E103KA01D	Murata
2	C46, C48	47 pF	04025A470JAT2A	AVX Corp
2	C47, C49	0.1 μ F	GRM155R61A104KA01D	Murata
4	C52, C54, C55, C56	10 μ F	GRM188R60J106ME47D	Murata
1	C53	1 μ F	C2012X5R1E105K	TDK Corp
1	D1	GREEN	LTST-C170KGKT	LITE ON
1	D2	LED BLUE	LTST-C170TBKT	LITE ON
1	FB1	1 k Ω	FBMH4525HM102NT	TAIYO YUDEN
DNI	FB2, FB6	1 k Ω	BLM15AG102SN1	Murata
6	FB3, FB4, FB5, FB7, FB8, FB9	1 k Ω	BLM15AG102SN1	Murata
2	JP1, JP2	HEADER	HTSW-103-07-G-S	SAMTEC
1	JP3	HEADER	HMTSW-103-07-G-S-.240	SAMTEC
1	JP4	HEADER	HMTSW-103-07-G-S-.240	SAMTEC
1	JP5	HEADER	HMTSW-103-07-G-S-.240	SAMTEC
8	J1, J2, J3, J4, J6, J7, J8, J9	SMA	142-0701-851	Johnson
1	J5	USB_MINI	MNE20-5G5P10	ACON
1	J10	JACK PWR	RAPC722	Switchcraft
4	L1, L2, L3, L4	560nH	0805CS-561XGL	Coilcraft
1	Q1	FDMA7632	FDMA7632	Fairchild
7	R1, R2, R12, R14, R19, R20, R27	0	ERJ-2GE0R00X	Panasonic
DNI	R3, R7, R8, R22, R23	1.5K	ERJ-2RKF1501X	Panasonic
1	R4	2.6K	ERJ-2RKF2601X	Panasonic
DNI	R5, R6, R9, R11, R13, R15, R21	0	ERJ-2GE0R00X	Panasonic
1	R_indicator	0	ERJ-2GE0R00X	Panasonic
1	R10	1.5K	ERJ-2RKF1501X	Panasonic
DNI	R16, R17, R18	0	ERJ-2GE0R00X	Panasonic
1	R24	31.6K	ERJ-3EKF3162V	Panasonic
1	R25	10K	ERJ-3EKF1002V	Panasonic
1	R26	10.2K	ERJ-3EKF1022V	Panasonic

Table 7. Bill of Materials (continued)

Qty	Reference	Part	Part Number	Mfr
1	R28	510	ERJ-2RKF5100X	Panasonic
1	R29	0	ERJ-3GEY0R00V	Panasonic
1	R30	15K	ERJ-2GEJ153X	Panasonic
5	TP1, TP2, TP3, TP4, TP7	RED	5010	Keystone
2	TP5, TP10	BLK	5011	Keystone
1	TP6	BLK	5011	Keystone
1	TP8	RED	5010	Keystone
1	TP9	BLK	5011	Keystone
2	T1, T2	TC4-1T	TC4-1T	Minicircuits
1	U1	TRF3732	TRF37X32	TI
1	U2	FT245RL	FT245RL	FTDI
1	U3	TPS74201	TPS74201RGW	TI
1	U4	TPS2400	TPS2400DBV	TI

STANDARD TERMS AND CONDITIONS FOR EVALUATION MODULES

1. *Delivery:* TI delivers TI evaluation boards, kits, or modules, including any accompanying demonstration software, components, or documentation (collectively, an "EVM" or "EVMs") to the User ("User") in accordance with the terms and conditions set forth herein. Acceptance of the EVM is expressly subject to the following terms and conditions.
 - 1.1 EVMs are intended solely for product or software developers for use in a research and development setting to facilitate feasibility evaluation, experimentation, or scientific analysis of TI semiconductors products. EVMs have no direct function and are not finished products. EVMs shall not be directly or indirectly assembled as a part or subassembly in any finished product. For clarification, any software or software tools provided with the EVM ("Software") shall not be subject to the terms and conditions set forth herein but rather shall be subject to the applicable terms and conditions that accompany such Software
 - 1.2 EVMs are not intended for consumer or household use. EVMs may not be sold, sublicensed, leased, rented, loaned, assigned, or otherwise distributed for commercial purposes by Users, in whole or in part, or used in any finished product or production system.
2. *Limited Warranty and Related Remedies/Disclaimers:*
 - 2.1 These terms and conditions do not apply to Software. The warranty, if any, for Software is covered in the applicable Software License Agreement.
 - 2.2 TI warrants that the TI EVM will conform to TI's published specifications for ninety (90) days after the date TI delivers such EVM to User. Notwithstanding the foregoing, TI shall not be liable for any defects that are caused by neglect, misuse or mistreatment by an entity other than TI, including improper installation or testing, or for any EVMs that have been altered or modified in any way by an entity other than TI. Moreover, TI shall not be liable for any defects that result from User's design, specifications or instructions for such EVMs. Testing and other quality control techniques are used to the extent TI deems necessary or as mandated by government requirements. TI does not test all parameters of each EVM.
 - 2.3 If any EVM fails to conform to the warranty set forth above, TI's sole liability shall be at its option to repair or replace such EVM, or credit User's account for such EVM. TI's liability under this warranty shall be limited to EVMs that are returned during the warranty period to the address designated by TI and that are determined by TI not to conform to such warranty. If TI elects to repair or replace such EVM, TI shall have a reasonable time to repair such EVM or provide replacements. Repaired EVMs shall be warranted for the remainder of the original warranty period. Replaced EVMs shall be warranted for a new full ninety (90) day warranty period.
3. *Regulatory Notices:*
 - 3.1 *United States*
 - 3.1.1 *Notice applicable to EVMs not FCC-Approved:*

This kit is designed to allow product developers to evaluate electronic components, circuitry, or software associated with the kit to determine whether to incorporate such items in a finished product and software developers to write software applications for use with the end product. This kit is not a finished product and when assembled may not be resold or otherwise marketed unless all required FCC equipment authorizations are first obtained. Operation is subject to the condition that this product not cause harmful interference to licensed radio stations and that this product accept harmful interference. Unless the assembled kit is designed to operate under part 15, part 18 or part 95 of this chapter, the operator of the kit must operate under the authority of an FCC license holder or must secure an experimental authorization under part 5 of this chapter.
 - 3.1.2 *For EVMs annotated as FCC – FEDERAL COMMUNICATIONS COMMISSION Part 15 Compliant:*

CAUTION

This device complies with part 15 of the FCC Rules. Operation is subject to the following two conditions: (1) This device may not cause harmful interference, and (2) this device must accept any interference received, including interference that may cause undesired operation.

Changes or modifications not expressly approved by the party responsible for compliance could void the user's authority to operate the equipment.

FCC Interference Statement for Class A EVM devices

NOTE: This equipment has been tested and found to comply with the limits for a Class A digital device, pursuant to part 15 of the FCC Rules. These limits are designed to provide reasonable protection against harmful interference when the equipment is operated in a commercial environment. This equipment generates, uses, and can radiate radio frequency energy and, if not installed and used in accordance with the instruction manual, may cause harmful interference to radio communications. Operation of this equipment in a residential area is likely to cause harmful interference in which case the user will be required to correct the interference at his own expense.

FCC Interference Statement for Class B EVM devices

NOTE: This equipment has been tested and found to comply with the limits for a Class B digital device, pursuant to part 15 of the FCC Rules. These limits are designed to provide reasonable protection against harmful interference in a residential installation. This equipment generates, uses and can radiate radio frequency energy and, if not installed and used in accordance with the instructions, may cause harmful interference to radio communications. However, there is no guarantee that interference will not occur in a particular installation. If this equipment does cause harmful interference to radio or television reception, which can be determined by turning the equipment off and on, the user is encouraged to try to correct the interference by one or more of the following measures:

- Reorient or relocate the receiving antenna.
- Increase the separation between the equipment and receiver.
- Connect the equipment into an outlet on a circuit different from that to which the receiver is connected.
- Consult the dealer or an experienced radio/TV technician for help.

3.2 Canada

3.2.1 For EVMs issued with an Industry Canada Certificate of Conformance to RSS-210

Concerning EVMs Including Radio Transmitters:

This device complies with Industry Canada license-exempt RSS standard(s). Operation is subject to the following two conditions: (1) this device may not cause interference, and (2) this device must accept any interference, including interference that may cause undesired operation of the device.

Concernant les EVMs avec appareils radio:

Le présent appareil est conforme aux CNR d'Industrie Canada applicables aux appareils radio exempts de licence. L'exploitation est autorisée aux deux conditions suivantes: (1) l'appareil ne doit pas produire de brouillage, et (2) l'utilisateur de l'appareil doit accepter tout brouillage radioélectrique subi, même si le brouillage est susceptible d'en compromettre le fonctionnement.

Concerning EVMs Including Detachable Antennas:

Under Industry Canada regulations, this radio transmitter may only operate using an antenna of a type and maximum (or lesser) gain approved for the transmitter by Industry Canada. To reduce potential radio interference to other users, the antenna type and its gain should be so chosen that the equivalent isotropically radiated power (e.i.r.p.) is not more than that necessary for successful communication. This radio transmitter has been approved by Industry Canada to operate with the antenna types listed in the user guide with the maximum permissible gain and required antenna impedance for each antenna type indicated. Antenna types not included in this list, having a gain greater than the maximum gain indicated for that type, are strictly prohibited for use with this device.

Concernant les EVMs avec antennes détachables

Conformément à la réglementation d'Industrie Canada, le présent émetteur radio peut fonctionner avec une antenne d'un type et d'un gain maximal (ou inférieur) approuvé pour l'émetteur par Industrie Canada. Dans le but de réduire les risques de brouillage radioélectrique à l'intention des autres utilisateurs, il faut choisir le type d'antenne et son gain de sorte que la puissance isotrope rayonnée équivalente (p.i.r.e.) ne dépasse pas l'intensité nécessaire à l'établissement d'une communication satisfaisante. Le présent émetteur radio a été approuvé par Industrie Canada pour fonctionner avec les types d'antenne énumérés dans le manuel d'usage et ayant un gain admissible maximal et l'impédance requise pour chaque type d'antenne. Les types d'antenne non inclus dans cette liste, ou dont le gain est supérieur au gain maximal indiqué, sont strictement interdits pour l'exploitation de l'émetteur.

3.3 Japan

3.3.1 *Notice for EVMs delivered in Japan:* Please see http://www.tij.co.jp/lstds/ti_ja/general/eStore/notice_01.page 日本国内に輸入される評価用キット、ボードについては、次のところをご覧ください。
http://www.tij.co.jp/lstds/ti_ja/general/eStore/notice_01.page

3.3.2 *Notice for Users of EVMs Considered "Radio Frequency Products" in Japan:* EVMs entering Japan are NOT certified by TI as conforming to Technical Regulations of Radio Law of Japan.

If User uses EVMs in Japan, User is required by Radio Law of Japan to follow the instructions below with respect to EVMs:

1. Use EVMs in a shielded room or any other test facility as defined in the notification #173 issued by Ministry of Internal Affairs and Communications on March 28, 2006, based on Sub-section 1.1 of Article 6 of the Ministry's Rule for Enforcement of Radio Law of Japan,
2. Use EVMs only after User obtains the license of Test Radio Station as provided in Radio Law of Japan with respect to EVMs, or
3. Use of EVMs only after User obtains the Technical Regulations Conformity Certification as provided in Radio Law of Japan with respect to EVMs. Also, do not transfer EVMs, unless User gives the same notice above to the transferee. Please note that if User does not follow the instructions above, User will be subject to penalties of Radio Law of Japan.

【無線電波を送信する製品の開発キットをお使いになる際の注意事項】

本開発キットは技術基準適合証明を受けておりません。

本製品のご使用に際しては、電波法遵守のため、以下のいずれかの措置を取っていただく必要がありますのでご注意ください。

1. 電波法施行規則第6条第1項第1号に基づく平成18年3月28日総務省告示第173号で定められた電波暗室等の試験設備でご使用いただく。
2. 実験局の免許を取得後ご使用いただく。
3. 技術基準適合証明を取得後ご使用いただく。

なお、本製品は、上記の「ご使用にあたっての注意」を譲渡先、移転先に通知しない限り、譲渡、移転できないものとします。

上記を遵守頂けない場合は、電波法の罰則が適用される可能性があることをご留意ください。

日本テキサス・インスツルメンツ株式会社

東京都新宿区西新宿 6 丁目 2 4 番 1 号

西新宿三井ビル

3.3.3 *Notice for EVMs for Power Line Communication:* Please see http://www.tij.co.jp/llds/ti_ja/general/eStore/notice_02.page

電力線搬送波通信についての開発キットをお使いになる際の注意事項については、次のところをご覧ください。http://www.tij.co.jp/llds/ti_ja/general/eStore/notice_02.page

4 *EVM Use Restrictions and Warnings:*

4.1 EVMS ARE NOT FOR USE IN FUNCTIONAL SAFETY AND/OR SAFETY CRITICAL EVALUATIONS, INCLUDING BUT NOT LIMITED TO EVALUATIONS OF LIFE SUPPORT APPLICATIONS.

4.2 User must read and apply the user guide and other available documentation provided by TI regarding the EVM prior to handling or using the EVM, including without limitation any warning or restriction notices. The notices contain important safety information related to, for example, temperatures and voltages.

4.3 *Safety-Related Warnings and Restrictions:*

4.3.1 User shall operate the EVM within TI's recommended specifications and environmental considerations stated in the user guide, other available documentation provided by TI, and any other applicable requirements and employ reasonable and customary safeguards. Exceeding the specified performance ratings and specifications (including but not limited to input and output voltage, current, power, and environmental ranges) for the EVM may cause personal injury or death, or property damage. If there are questions concerning performance ratings and specifications, User should contact a TI field representative prior to connecting interface electronics including input power and intended loads. Any loads applied outside of the specified output range may also result in unintended and/or inaccurate operation and/or possible permanent damage to the EVM and/or interface electronics. Please consult the EVM user guide prior to connecting any load to the EVM output. If there is uncertainty as to the load specification, please contact a TI field representative. During normal operation, even with the inputs and outputs kept within the specified allowable ranges, some circuit components may have elevated case temperatures. These components include but are not limited to linear regulators, switching transistors, pass transistors, current sense resistors, and heat sinks, which can be identified using the information in the associated documentation. When working with the EVM, please be aware that the EVM may become very warm.

4.3.2 EVMs are intended solely for use by technically qualified, professional electronics experts who are familiar with the dangers and application risks associated with handling electrical mechanical components, systems, and subsystems. User assumes all responsibility and liability for proper and safe handling and use of the EVM by User or its employees, affiliates, contractors or designees. User assumes all responsibility and liability to ensure that any interfaces (electronic and/or mechanical) between the EVM and any human body are designed with suitable isolation and means to safely limit accessible leakage currents to minimize the risk of electrical shock hazard. User assumes all responsibility and liability for any improper or unsafe handling or use of the EVM by User or its employees, affiliates, contractors or designees.

4.4 User assumes all responsibility and liability to determine whether the EVM is subject to any applicable international, federal, state, or local laws and regulations related to User's handling and use of the EVM and, if applicable, User assumes all responsibility and liability for compliance in all respects with such laws and regulations. User assumes all responsibility and liability for proper disposal and recycling of the EVM consistent with all applicable international, federal, state, and local requirements.

5. *Accuracy of Information:* To the extent TI provides information on the availability and function of EVMs, TI attempts to be as accurate as possible. However, TI does not warrant the accuracy of EVM descriptions, EVM availability or other information on its websites as accurate, complete, reliable, current, or error-free.

6. *Disclaimers:*
- 6.1 EXCEPT AS SET FORTH ABOVE, EVMS AND ANY WRITTEN DESIGN MATERIALS PROVIDED WITH THE EVM (AND THE DESIGN OF THE EVM ITSELF) ARE PROVIDED "AS IS" AND "WITH ALL FAULTS." TI DISCLAIMS ALL OTHER WARRANTIES, EXPRESS OR IMPLIED, REGARDING SUCH ITEMS, INCLUDING BUT NOT LIMITED TO ANY IMPLIED WARRANTIES OF MERCHANTABILITY OR FITNESS FOR A PARTICULAR PURPOSE OR NON-INFRINGEMENT OF ANY THIRD PARTY PATENTS, COPYRIGHTS, TRADE SECRETS OR OTHER INTELLECTUAL PROPERTY RIGHTS.
- 6.2 EXCEPT FOR THE LIMITED RIGHT TO USE THE EVM SET FORTH HEREIN, NOTHING IN THESE TERMS AND CONDITIONS SHALL BE CONSTRUED AS GRANTING OR CONFERRING ANY RIGHTS BY LICENSE, PATENT, OR ANY OTHER INDUSTRIAL OR INTELLECTUAL PROPERTY RIGHT OF TI, ITS SUPPLIERS/LICENSORS OR ANY OTHER THIRD PARTY, TO USE THE EVM IN ANY FINISHED END-USER OR READY-TO-USE FINAL PRODUCT, OR FOR ANY INVENTION, DISCOVERY OR IMPROVEMENT MADE, CONCEIVED OR ACQUIRED PRIOR TO OR AFTER DELIVERY OF THE EVM.
7. *USER'S INDEMNITY OBLIGATIONS AND REPRESENTATIONS.* USER WILL DEFEND, INDEMNIFY AND HOLD TI, ITS LICENSORS AND THEIR REPRESENTATIVES HARMLESS FROM AND AGAINST ANY AND ALL CLAIMS, DAMAGES, LOSSES, EXPENSES, COSTS AND LIABILITIES (COLLECTIVELY, "CLAIMS") ARISING OUT OF OR IN CONNECTION WITH ANY HANDLING OR USE OF THE EVM THAT IS NOT IN ACCORDANCE WITH THESE TERMS AND CONDITIONS. THIS OBLIGATION SHALL APPLY WHETHER CLAIMS ARISE UNDER STATUTE, REGULATION, OR THE LAW OF TORT, CONTRACT OR ANY OTHER LEGAL THEORY, AND EVEN IF THE EVM FAILS TO PERFORM AS DESCRIBED OR EXPECTED.
8. *Limitations on Damages and Liability:*
- 8.1 *General Limitations.* IN NO EVENT SHALL TI BE LIABLE FOR ANY SPECIAL, COLLATERAL, INDIRECT, PUNITIVE, INCIDENTAL, CONSEQUENTIAL, OR EXEMPLARY DAMAGES IN CONNECTION WITH OR ARISING OUT OF THESE TERMS AND CONDITIONS OR THE USE OF THE EVMS PROVIDED HEREUNDER, REGARDLESS OF WHETHER TI HAS BEEN ADVISED OF THE POSSIBILITY OF SUCH DAMAGES. EXCLUDED DAMAGES INCLUDE, BUT ARE NOT LIMITED TO, COST OF REMOVAL OR REINSTALLATION, ANCILLARY COSTS TO THE PROCUREMENT OF SUBSTITUTE GOODS OR SERVICES, RETESTING, OUTSIDE COMPUTER TIME, LABOR COSTS, LOSS OF GOODWILL, LOSS OF PROFITS, LOSS OF SAVINGS, LOSS OF USE, LOSS OF DATA, OR BUSINESS INTERRUPTION. NO CLAIM, SUIT OR ACTION SHALL BE BROUGHT AGAINST TI MORE THAN ONE YEAR AFTER THE RELATED CAUSE OF ACTION HAS OCCURRED.
- 8.2 *Specific Limitations.* IN NO EVENT SHALL TI'S AGGREGATE LIABILITY FROM ANY WARRANTY OR OTHER OBLIGATION ARISING OUT OF OR IN CONNECTION WITH THESE TERMS AND CONDITIONS, OR ANY USE OF ANY TI EVM PROVIDED HEREUNDER, EXCEED THE TOTAL AMOUNT PAID TO TI FOR THE PARTICULAR UNITS SOLD UNDER THESE TERMS AND CONDITIONS WITH RESPECT TO WHICH LOSSES OR DAMAGES ARE CLAIMED. THE EXISTENCE OF MORE THAN ONE CLAIM AGAINST THE PARTICULAR UNITS SOLD TO USER UNDER THESE TERMS AND CONDITIONS SHALL NOT ENLARGE OR EXTEND THIS LIMIT.
9. *Return Policy.* Except as otherwise provided, TI does not offer any refunds, returns, or exchanges. Furthermore, no return of EVM(s) will be accepted if the package has been opened and no return of the EVM(s) will be accepted if they are damaged or otherwise not in a resalable condition. If User feels it has been incorrectly charged for the EVM(s) it ordered or that delivery violates the applicable order, User should contact TI. All refunds will be made in full within thirty (30) working days from the return of the components(s), excluding any postage or packaging costs.
10. *Governing Law:* These terms and conditions shall be governed by and interpreted in accordance with the laws of the State of Texas, without reference to conflict-of-laws principles. User agrees that non-exclusive jurisdiction for any dispute arising out of or relating to these terms and conditions lies within courts located in the State of Texas and consents to venue in Dallas County, Texas. Notwithstanding the foregoing, any judgment may be enforced in any United States or foreign court, and TI may seek injunctive relief in any United States or foreign court.

Mailing Address: Texas Instruments, Post Office Box 655303, Dallas, Texas 75265
Copyright © 2014, Texas Instruments Incorporated

IMPORTANT NOTICE

Texas Instruments Incorporated and its subsidiaries (TI) reserve the right to make corrections, enhancements, improvements and other changes to its semiconductor products and services per JESD46, latest issue, and to discontinue any product or service per JESD48, latest issue. Buyers should obtain the latest relevant information before placing orders and should verify that such information is current and complete. All semiconductor products (also referred to herein as "components") are sold subject to TI's terms and conditions of sale supplied at the time of order acknowledgment.

TI warrants performance of its components to the specifications applicable at the time of sale, in accordance with the warranty in TI's terms and conditions of sale of semiconductor products. Testing and other quality control techniques are used to the extent TI deems necessary to support this warranty. Except where mandated by applicable law, testing of all parameters of each component is not necessarily performed.

TI assumes no liability for applications assistance or the design of Buyers' products. Buyers are responsible for their products and applications using TI components. To minimize the risks associated with Buyers' products and applications, Buyers should provide adequate design and operating safeguards.

TI does not warrant or represent that any license, either express or implied, is granted under any patent right, copyright, mask work right, or other intellectual property right relating to any combination, machine, or process in which TI components or services are used. Information published by TI regarding third-party products or services does not constitute a license to use such products or services or a warranty or endorsement thereof. Use of such information may require a license from a third party under the patents or other intellectual property of the third party, or a license from TI under the patents or other intellectual property of TI.

Reproduction of significant portions of TI information in TI data books or data sheets is permissible only if reproduction is without alteration and is accompanied by all associated warranties, conditions, limitations, and notices. TI is not responsible or liable for such altered documentation. Information of third parties may be subject to additional restrictions.

Resale of TI components or services with statements different from or beyond the parameters stated by TI for that component or service voids all express and any implied warranties for the associated TI component or service and is an unfair and deceptive business practice. TI is not responsible or liable for any such statements.

Buyer acknowledges and agrees that it is solely responsible for compliance with all legal, regulatory and safety-related requirements concerning its products, and any use of TI components in its applications, notwithstanding any applications-related information or support that may be provided by TI. Buyer represents and agrees that it has all the necessary expertise to create and implement safeguards which anticipate dangerous consequences of failures, monitor failures and their consequences, lessen the likelihood of failures that might cause harm and take appropriate remedial actions. Buyer will fully indemnify TI and its representatives against any damages arising out of the use of any TI components in safety-critical applications.

In some cases, TI components may be promoted specifically to facilitate safety-related applications. With such components, TI's goal is to help enable customers to design and create their own end-product solutions that meet applicable functional safety standards and requirements. Nonetheless, such components are subject to these terms.

No TI components are authorized for use in FDA Class III (or similar life-critical medical equipment) unless authorized officers of the parties have executed a special agreement specifically governing such use.

Only those TI components which TI has specifically designated as military grade or "enhanced plastic" are designed and intended for use in military/aerospace applications or environments. Buyer acknowledges and agrees that any military or aerospace use of TI components which have **not** been so designated is solely at the Buyer's risk, and that Buyer is solely responsible for compliance with all legal and regulatory requirements in connection with such use.

TI has specifically designated certain components as meeting ISO/TS16949 requirements, mainly for automotive use. In any case of use of non-designated products, TI will not be responsible for any failure to meet ISO/TS16949.

Products

Audio	www.ti.com/audio
Amplifiers	amplifier.ti.com
Data Converters	dataconverter.ti.com
DLP® Products	www.dlp.com
DSP	dsp.ti.com
Clocks and Timers	www.ti.com/clocks
Interface	interface.ti.com
Logic	logic.ti.com
Power Mgmt	power.ti.com
Microcontrollers	microcontroller.ti.com
RFID	www.ti-rfid.com
OMAP Applications Processors	www.ti.com/omap
Wireless Connectivity	www.ti.com/wirelessconnectivity

Applications

Automotive and Transportation	www.ti.com/automotive
Communications and Telecom	www.ti.com/communications
Computers and Peripherals	www.ti.com/computers
Consumer Electronics	www.ti.com/consumer-apps
Energy and Lighting	www.ti.com/energy
Industrial	www.ti.com/industrial
Medical	www.ti.com/medical
Security	www.ti.com/security
Space, Avionics and Defense	www.ti.com/space-avionics-defense
Video and Imaging	www.ti.com/video

TI E2E Community

e2e.ti.com