

1438426-3 ✓ ACTIVE

AMP | AMP 0.64 Connector System

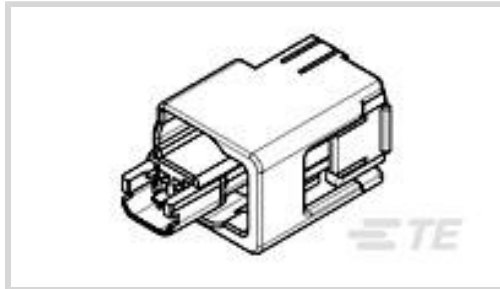
TE Internal #: 1438426-3

Wire-to-Wire, 2 Position, .1 in [2.54 mm] Centerline, Sealable, Gray, Signal, Cable Mount (Free-Hanging), Key B, AMP 0.64 Connector System

[View on TE.com >](#)



Connectors > Automotive Connectors > Automotive Housings



Mating Tab Width: .64 mm [.025 in]

Connector System: **Wire-to-Wire**

Number of Positions: 2

Centerline (Pitch): 2.54 mm [.1 in]

Sealable: **Yes**

Features

Product Type Features

Connector Shape	Rectangular
Connector System	Wire-to-Wire
Sealable	Yes
Hybrid Connector	No

Configuration Features

Number of Positions	2
Number of Rows	1

Body Features

Primary Product Color	Gray
Connector & Keying Code	B

Contact Features

Contact Size	.64mm
Mating Tab Width	.64 mm[.025 in]

Mechanical Attachment

Terminal Position Assurance	No
Strain Relief	Without
Mating Alignment Type	Keyed
Mating Alignment	With



Connector Mounting Type	Cable Mount (Free-Hanging)
-------------------------	----------------------------

Housing Features

Housing Material	Nylon 6/6 GF35
Centerline (Pitch)	2.54 mm[.1 in]

Dimensions

Connector Height	35.3 mm[1.389 in]
Product Width	16.45 mm[.648 in]
Product Length	20.61 mm[.811 in]

Operation/Application

Circuit Application	Signal
---------------------	--------

Industry Standards

Agency/Standard	SAE/USCAR-2
UL Flammability Rating	UL 94HB

Packaging Features

Packaging Quantity	25
Packaging Method	Package

Other

Connector Position Assurance Capable	Yes
--------------------------------------	-----

Product Compliance

[For compliance documentation, visit the product page on TE.com>](#)

EU RoHS Directive 2011/65/EU	Compliant
EU ELV Directive 2000/53/EC	Compliant
China RoHS 2 Directive MIIT Order No 32, 2016	No Restricted Materials Above Threshold
EU REACH Regulation (EC) No. 1907/2006	Current ECHA Candidate List: JUNE 2023 (235) Candidate List Declared Against: JAN 2023 (233) Does not contain REACH SVHC
Halogen Content	Low Halogen - Br, Cl, F, I < 900 ppm per homogenous material. Also BFR/CFR/PVC Free
Solder Process Capability	Not reviewed for solder process capability

Product Compliance Disclaimer

This information is provided based on reasonable inquiry of our suppliers and represents our current actual knowledge based on the information they provided. This information is subject to change. The part numbers that TE has identified as EU RoHS compliant have a maximum concentration of 0.1% by weight in homogenous materials for lead, hexavalent chromium, mercury, PBB, PBDE, DBP, BBP, DEHP, DIBP, and 0.01% for cadmium, or qualify for an exemption to these limits as defined in the Annexes of Directive 2011/65/EU (RoHS2). Finished electrical and electronic equipment products will be CE marked as required by Directive 2011/65/EU. Components may not be CE marked. Additionally, the part numbers that TE has identified as EU ELV compliant have a maximum concentration of 0.1% by weight in homogenous materials for lead, hexavalent chromium, and mercury, and 0.01% for cadmium, or qualify for an exemption to these limits as defined in the Annexes of Directive 2000/53/EC (ELV). Regarding the REACH Regulation, the information TE provides on SVHC in articles for this part number is based on the latest European Chemicals Agency (ECHA) 'Guidance on requirements for substances in articles' posted at this URL: <https://echa.europa.eu/guidance-documents/guidance-on-reach>

Compatible Parts



TE Part # 638551-3
CONTACT,FEMALE,0.64MM,SN,18-20



TE Part # 1326028-3
0.64MM FEMALE CONTACT,AU,18-20



TE Part # 1326028-5
.64MM FEM CONT,AU,18-20,FORMED



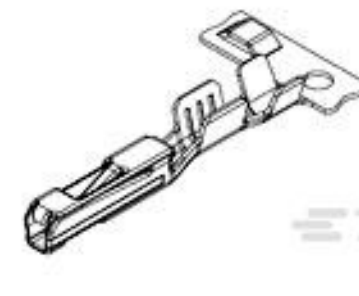
TE Part # 638551-1
CONTACT,FEMALE,0.64MM,SN,18-20



TE Part # 1326028-2
0.64MM FEMALE CONTACT,AU, 22AWG



TE Part # 638551-4
CONTACT,FEMALE,0.64MM,SN,22



TE Part # 1326028-1
0.64MM FEMALE CONTACT,AU,18-20



TE Part # 638551-2
CONTACT,FEMALE,0.64MM,SN,22




TE Part # 1326028-4
0.64MM FEMALE CONTACT,AU, 22AWG




TE Part # 1326028-6
0.64MM FEMALE CONTACT,AU, 22AWG



TE Part # 1326525-2
SEAT POS SENSOR ASSY, GENERAL SALES



TE Part # 638481-2
PLUG,INNER HSG, 2POS KEY B



TE Part # 638485-4
PLUG OUTER HSG,2POSN

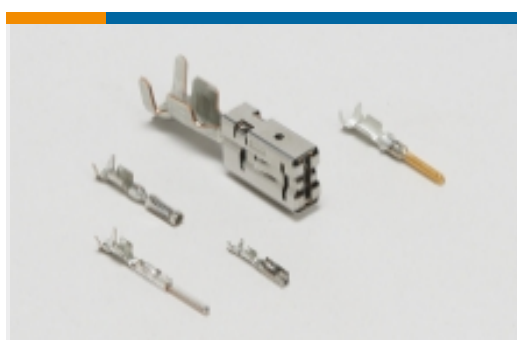
Also in the Series | AMP 0.64 Connector System



Automotive Connector Caps & Covers
(20)



Automotive Housings(35)



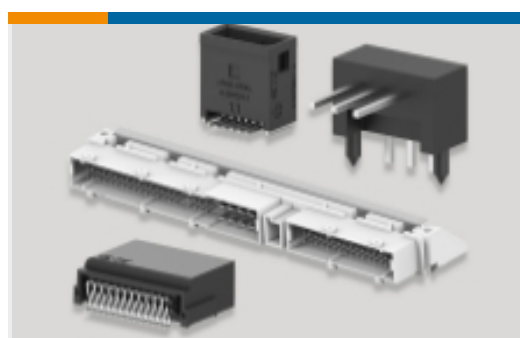
Automotive Terminals(15)



Insertion & Extraction Tools(1)



Other Automotive Connector
Accessories(2)



PCB Headers & Receptacles(43)

Customers Also Bought



TE Part #1-968562-2
MQS, CONNECTOR HOUSING



TE Part #2-1419158-8
GET .64 CONNECTOR SYSTEM,
CONNECTOR HSG



TE Part #316832-1
040-3 SEALED CONT. REC. S



TE Part #2035363-1
1X6 GENERATION Y ASSY KEY B



TE Part #1379218-2
COVER FOR 5W MPQ+MQS HSG



TE Part #638551-2
CONTACT,FEMALE,0.64MM,SN,22



TE Part #4-2177198-1
COVER,10 POS. MQS,VT

Documents

Product Drawings

0.64MM, 2POSN SEALED PLUG, GRA

English

CAD Files

Customer View Model

ENG_CVM_CVM_1438426-3_C.2d_dxf.zip



English

[3D PDF](#)

3D

Customer View Model

[ENG_CVM_CVM_1438426-3_C.3d_igs.zip](#)

English

Customer View Model

[ENG_CVM_CVM_1438426-3_C.3d_stp.zip](#)

English

By downloading the CAD file I accept and agree to the [Terms and Conditions](#) of use.

Instruction Sheets

[Instruction Sheet \(U.S.\)](#)

English