

MAPD-011032



2 Way 0° Power Divider, Surge Compliant 5 - 1250 MHz

Rev. V1

Features

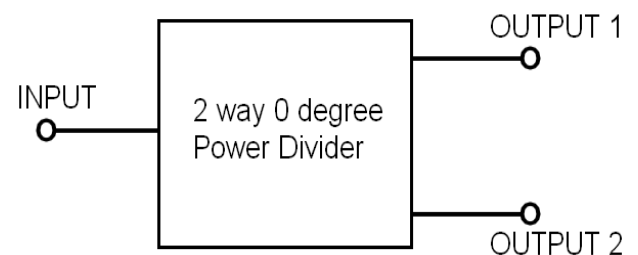
- Surface Mount
- 2 way 0 degree
- Suitable for all CATV, Broadband and FTTx applications.
- Available on Tape and Reel
- RoHS Compliant and Lead free
- 260°C Reflow Compatible
- Surge Compliant as per IEC 60728-4,4.8



Description

This device is a 2 way 0 degree power divider in a low cost surface mount package. Ideally suited for all CATV Broadband and FTTx applications.

Functional Schematic



Ordering Information

Part Number	Package
MAPD-011032	Tape & Reel
MAPD-011032-TB	Customer test Board

Pin Configuration

Pin No.	Function
1	Ground
2	Connect to Pin5 & isolate from ground
3	Output 1
4	Output 2
5	Connect to Pin2 & isolate from ground
6	Input

2 Way 0° Power Divider, Surge Compliant 5 - 1250 MHz

Rev. V1

Electrical Specifications: $T_A = 25^\circ\text{C}$, $Z_0 = 75 \Omega$, $P_{in} = 0\text{dBm}$

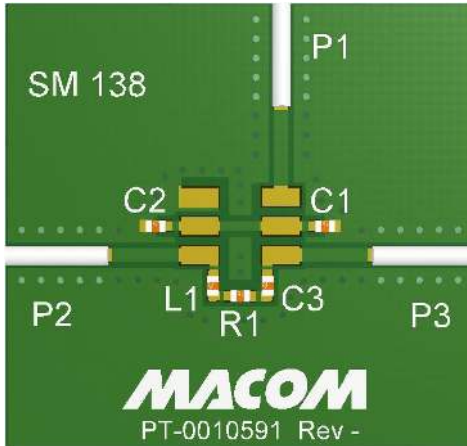
Parameter	Conditions	Units	Min	Typ	Max
Frequency Range	-	MHz	5	-	1250
Impedance	-	Ω	-	75	-
Power Split	-	-	-	3	-
Insertion Loss 1 (Pin 6-3)	5 - 600 MHz	dB	-	0.2	0.6
	600 - 1000 MHz	dB	-	0.6	1.1
	1000 - 1250 MHz	dB	-	1.0	1.6
Insertion Loss 2 (Pin 6-4)	5 - 600 MHz	dB	-	0.2	0.4
	600 - 1000 MHz	dB	-	0.4	0.7
	1000 - 1250 MHz	dB	-	0.6	1.1
Amplitude Balance	5 - 600 MHz	dB	-	0.01	± 0.3
	600 - 1250 MHz	dB	-	0.2	± 0.7
Phase Balance (ref value 0°)	5 - 1000 MHz	°	-	0.4	± 3.0
	1000 - 1250 MHz	°	-	0.7	± 4.0
Input Return Loss Pin 6	5 - 600 MHz	dB	19	31	-
	600 - 1250 MHz	dB	13	26	-
Output Return Loss 1 (Pin 3)	5 - 1250 MHz	dB	12	33	-
Output Return Loss 2 (Pin 4)	5 - 1000 MHz	dB	14	41	-
	1000 - 1250 MHz	dB	10	16	-
Isolation (Pin 3-4)	5 - 1250 MHz	dB	18	25	-

Recommended Maximum Ratings

Parameter	Units	Min	Max
Input RF Power	W	-	0.5
DC Current	mA	-	500
Operating Temperature Range	°C	-40	+85

Full temperature plots available on request

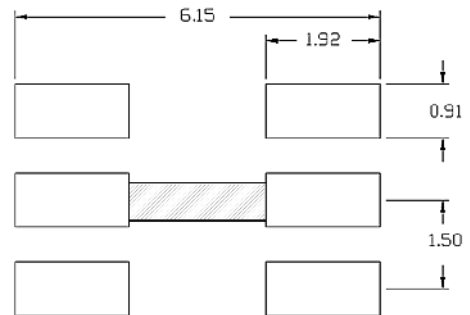
PCB Layout



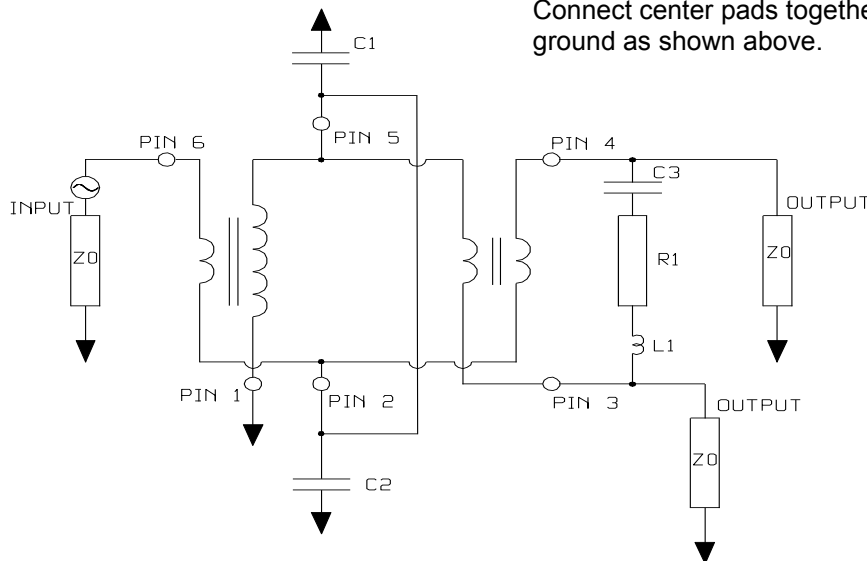
Parts List

REF	DESCRIPTION	P/N
R1	RES,0402, ±1%	160 Ω
L1	IND,0402, ±5%	15 nH
C3	CAP,0402, ±5%	470 pF
C1	CAP,0402, ±5%	0.5 pF
C2	CAP,0402, ±5%	0.5 pF

PCB land pattern dimensions

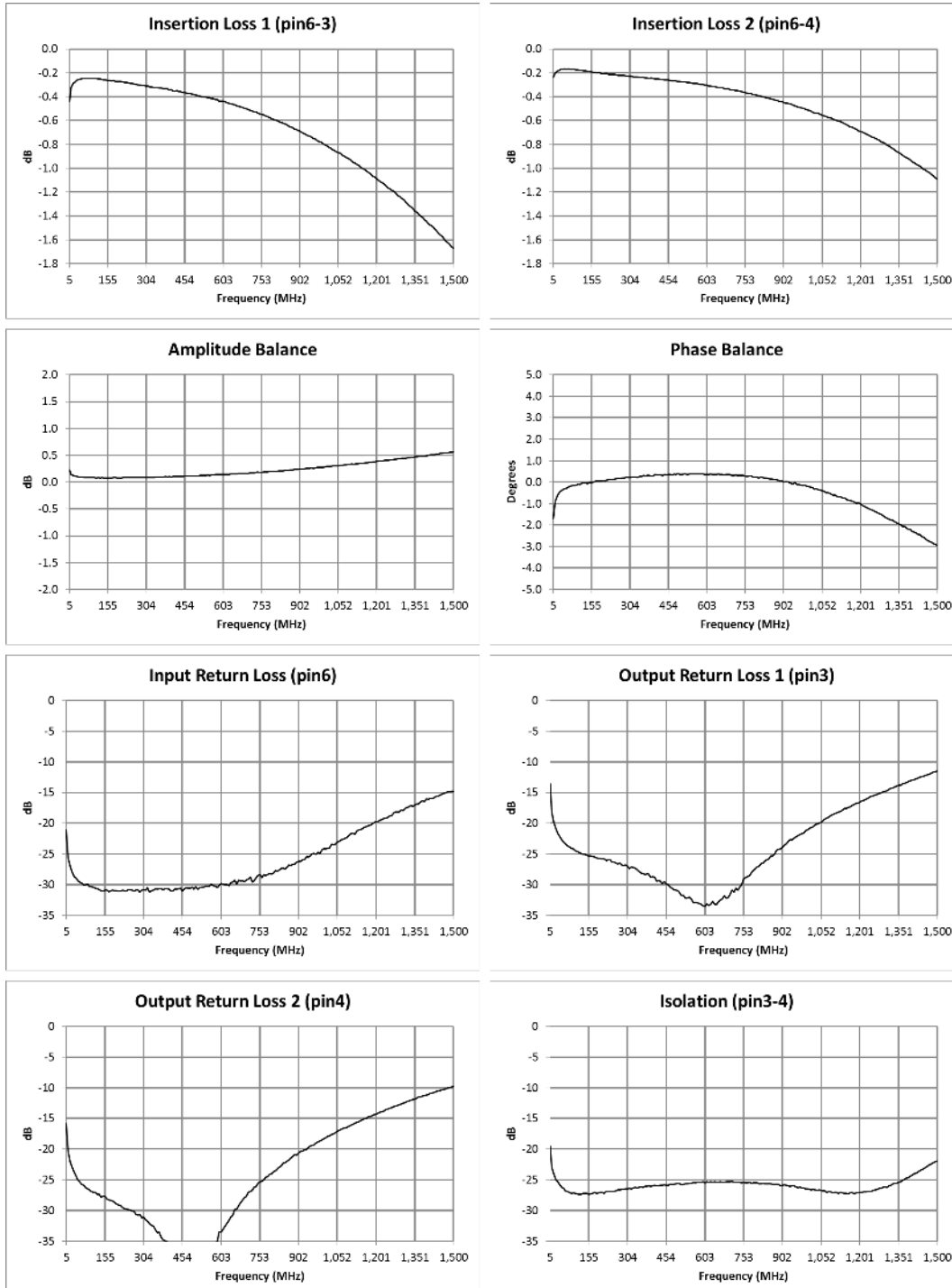


Application circuit



Connect center pads together and isolate them from ground as shown above.

Typical Performance Curves

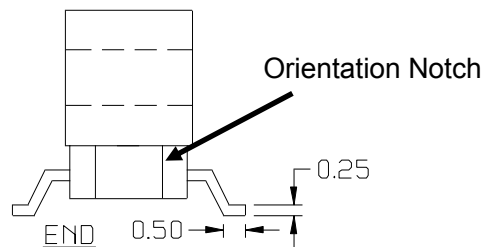
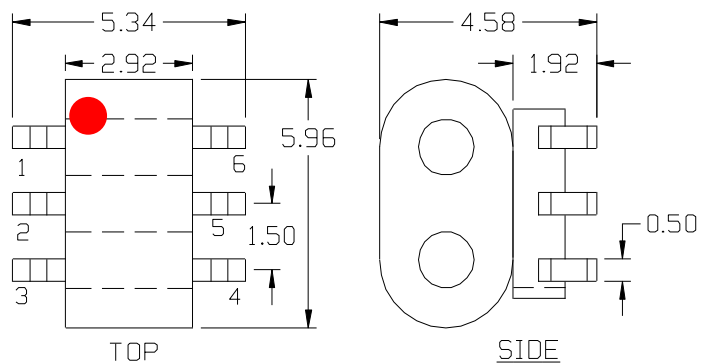


Electrical Specifications: $T_A = 25^\circ\text{C}$, $Z_0 = 75 \Omega$, $P_{in} = 0\text{dBm}$

2 Way 0° Power Divider, Surge Compliant 5 - 1250 MHz

Rev. V1

Outline Drawing

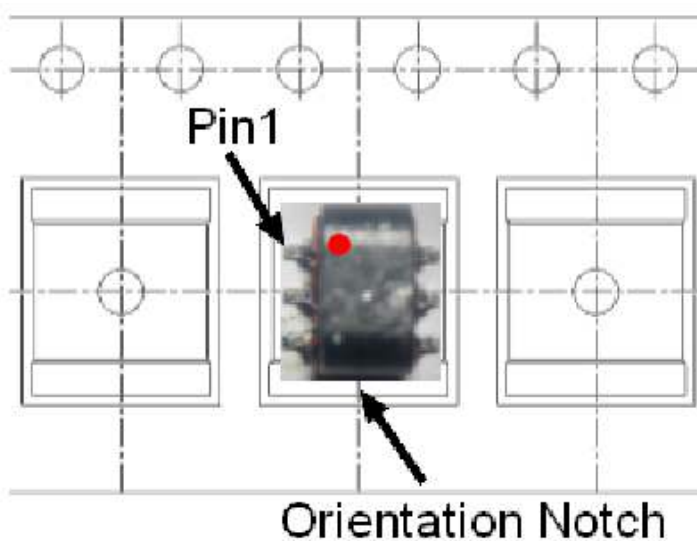


1. Dimensions in mm.
2. Tolerance: ± 0.2 mm unless otherwise noted.
3. Model number and lot code are printed on the reel.
4. Lead plating: (CuSn6) Lead finish SAC-305

Tape & Reel Information

Parameter	Units	Value
Qty per reel	-	900
Reel Size	mm	330
Tape Width	mm	16.00
Pitch	mm	8.00
Orientation	-	F39
Reference App Note ANI-019 for orientation		

Carrier Tape Orientation



M/A-COM Technology Solutions Inc. All rights reserved.

Information in this document is provided in connection with M/A-COM Technology Solutions Inc ("MACOM") products. These materials are provided by MACOM as a service to its customers and may be used for informational purposes only. Except as provided in MACOM's Terms and Conditions of Sale for such products or in any separate agreement related to this document, MACOM assumes no liability whatsoever.

MACOM assumes no responsibility for errors or omissions in these materials. MACOM may make changes to specifications and product descriptions at any time, without notice. MACOM makes no commitment to update the information and shall have no responsibility whatsoever for conflicts or incompatibilities arising from future changes to its specifications and product descriptions. No license, express or implied, by estoppels or otherwise, to any intellectual property rights is granted by this document.

THESE MATERIALS ARE PROVIDED "AS IS" WITHOUT WARRANTY OF ANY KIND, EITHER EXPRESS OR IMPLIED, RELATING TO SALE AND/OR USE OF MACOM PRODUCTS INCLUDING LIABILITY OR WARRANTIES RELATING TO FITNESS FOR A PARTICULAR PURPOSE, CONSEQUENTIAL OR INCIDENTAL DAMAGES, MERCHANTABILITY, OR INFRINGEMENT OF ANY PATENT, COPYRIGHT OR OTHER INTELLECTUAL PROPERTY RIGHT. MACOM FURTHER DOES NOT WARRANT THE ACCURACY OR COMPLETENESS OF THE INFORMATION, TEXT, GRAPHICS OR OTHER ITEMS CONTAINED WITHIN THESE MATERIALS. MACOM SHALL NOT BE LIABLE FOR ANY SPECIAL, INDIRECT, INCIDENTAL, OR CONSEQUENTIAL DAMAGES, INCLUDING WITHOUT LIMITATION, LOST REVENUES OR LOST PROFITS, WHICH MAY RESULT FROM THE USE OF THESE MATERIALS.

MACOM products are not intended for use in medical, lifesaving or life sustaining applications. MACOM customers using or selling MACOM products for use in such applications do so at their own risk and agree to fully indemnify MACOM for any damages resulting from such improper use or sale.