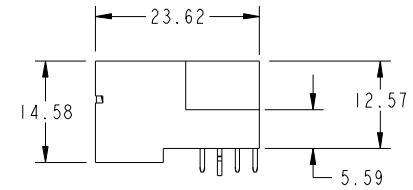
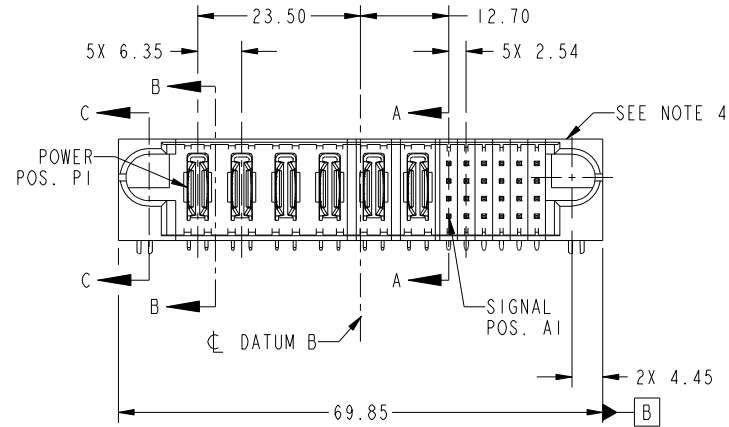
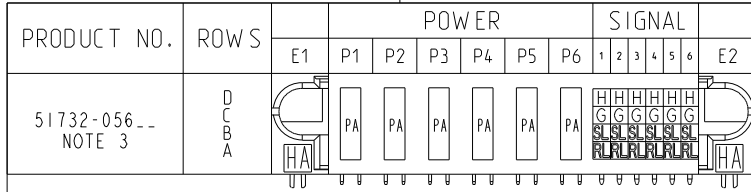


Tous droits strictement réservés. Reproduction ou communication a des tiers interdite sous quelque forme que ce soit sans autorisation écrite du propriétaire. Propriete de c FCI. Droits de reproduction FCI.

All rights strictly reserved. Reproduction or issue to third parties in any form whatever is not permitted without written authority from the proprietor. Property of FCI. Copyright FCI.



CODE	DIM "M" MATING LENGTH	CONTACT TYPE
PA	[N/A]	POWER
HA	[N/A]	HOLD-DOWN
H	[5.59]	SIGNAL
G	[5.59]	SIGNAL
RL	[7.82]	SIGNAL
SL	[7.82]	SIGNAL

mat'l code				SEE NOTE		tolerances unless otherwise specified		CUSTOMER		 www.fciconnect.com	
ltr	ecn no.	dr	date	linear	0.X ±0.5	projection		COPY		title	
A	DG09-0291	WD	98/03/09	angles	0.XX ±0.25			MIM		6P + 24S RIGHT ANGLE SOLDER HEADER	
				dr	0.XXX ±0.1	scale		product family		code	
				enr	0° ±2°	1:1		PwrBlade		213	
				chr				size		dwg no	
				appd				A		51732-056	
sheet index	revision sheet	A	A	A	A					sheet 1 of 4	
1	2	3	4								

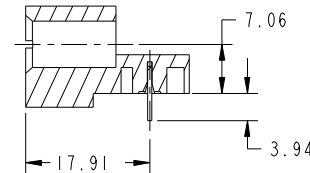
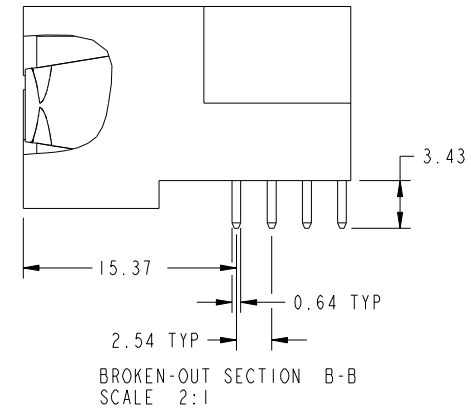
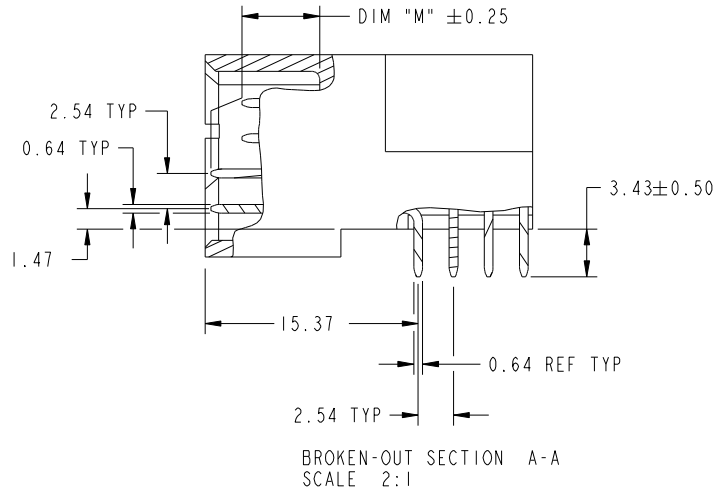
cage code 22526

Tous droits strictement reserves. Reproduction ou communication a des tiers interdite sous quelque forme que ce soit sans autorisation écrite du propriétaire. Propriete de c FCI. Droits de reproduction FCI.

All rights strictly reserved. Reproduction or issue to third parties in any form whatever is not permitted without written authority from the proprietor. Property of FCI. Copyright FCI.



PRODUCT NUMBER
51732-056_
NOTE: 3



mat'l code				SEE NOTE		tolerances unless otherwise specified		CUSTOMER		FCI	
ltr	ecn no.	dr	date	linear	0.X ±0.5	projection		COPY		www.fciconnect.com	
A				angles	0.XX ±0.25			title		6P + 24S	
				dr	0.XXX ±0.1			product family		PwrBlade	code
				enr	0° ±2°	scale		size	dwg no	213	sheet
				chr	Warren Du 08/24/09	1:1		A	51732-056	2 of 4	
				appd	Warren Du 08/24/09						
					PM ZHENG 08/24/09						
					JOSEPH HSIA 08/24/09						
sheet index	revision sheet										

cage code 22526

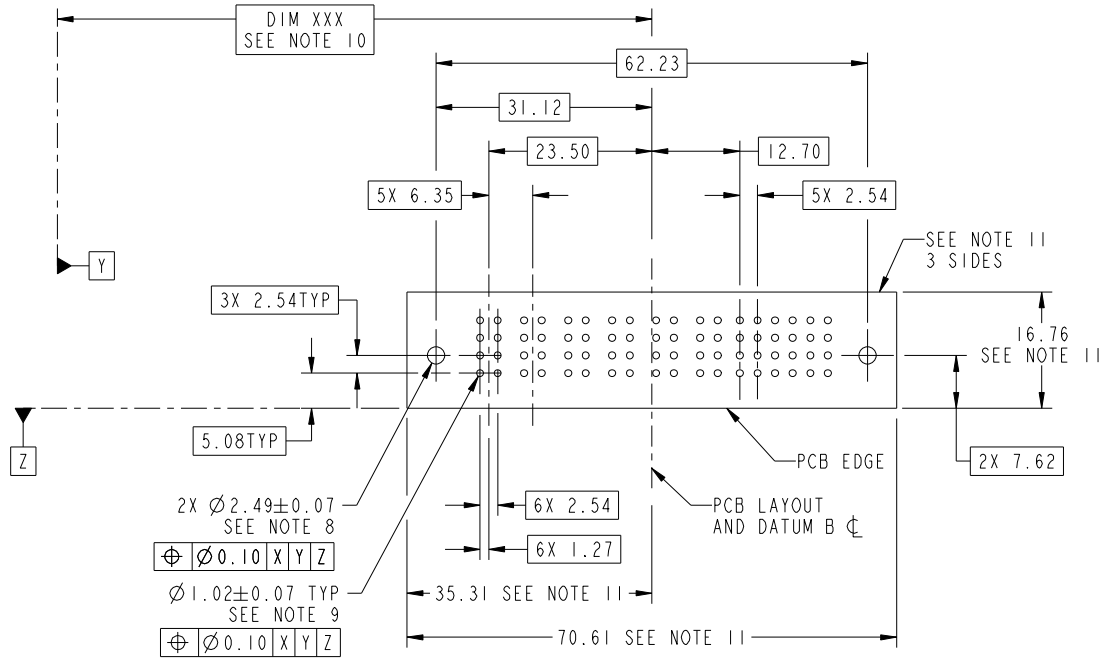
Pro/E

Tous droits strictement reserves. Reproduction ou communication a des tiers interdite sous quelque forme que ce soit sans autorisation écrite du propriétaire. Propriete de c FCI. Droits de reproduction FCI.



All rights strictly reserved. Reproduction or issue to third parties in any form whatever is not permitted without written authority from the proprietor. Property of FCI. Copyright FCI.

PRODUCT NUMBER
51732-056_
NOTE: 3



RECOMMENDED PCB LAYOUT

mat'l code		SEE NOTE		tolerances unless otherwise specified		CUSTOMER		FCI	
ltr	ecn no.	dr	date	linear	0.X ± 0.5	COPY		www.fciconnect.com	
A				linear	0.XX ± 0.25	projection		title	
				angles	0.XXX ± 0.1			6P + 24S RIGHT ANGLE SOLDER HEADER	
				dr	0° ± 2°			product family	
				enrg	Warren Du 08/24/09			PwrBlade	
				chr	Warren Du 08/24/09	scale		code	
				appd	PM ZHENG 08/24/09	1:1		213	
					JOSEPH HSIA 08/24/09			sheet	
sheet index		revision sheet						3 of 4	
								3 of 4	

cage code 22526

Pro/E

Tous droits strictement reserves. Reproduction ou communication a des tiers interdite sous quelque forme que ce soit sans autorisation écrite du propriétaire. Propriete de c FCI. Droits de reproduction FCI.



All rights strictly reserved. Reproduction or issue to third parties in any form whatever is not permitted without written authority from the proprietor. Property of FCI. Copyright FCI.

PRODUCT NUMBER
51732-056_
NOTE: 3

NOTES:

1. DIMENSIONS AND TOLERANCES ARE IN ACCORDANCE WITH ASME Y14.5M, 1994 UNLESS OTHERWISE SPECIFIED.

CONNECTOR NOTES:

- 2. HOUSING MATERIAL: UL 94 V-0 GLASS FILLED HIGH-TEMP THERMOPLASTIC
POWER CONTACT MATERIAL: COPPER ALLOY
SIGNAL PIN MATERIAL: COPPER ALLOY
 - 3. SEE ITEM 1 & 2 IN PRINT 10064183 FOR PLATING SPEC OF 51732-056 AND 51732-056LF RESPECTIVELY.
 - 4. MANUFACTURER'S NAME, P/N, AND DATE CODE TO APPEAR ON THIS SURFACE.
 - 5. PRODUCT SPECIFICATION GS-12-149.
APPLICATION SPECIFICATION BUS-20-067.
 - 6. PACKAGED IN TRAYS.
- PCB NOTES:
- 7. ALL HOLE DIAMETERS ARE FINISHED HOLE SIZE.
 - 8. MOUNTING HOLES, WHERE APPLICABLE, ARE UNPLATED.
 - 9. $\varnothing 1.151 \pm 0.025$ DRILLED HOLES PLATED WITH
0.008 MIN SnPb OR Sn OVER 0.03
TO 0.08 Cu PLATING TO ACHIEVE
 $\varnothing 1.02 \pm .07$ HOLE.
 - 10. "DIM XXX" TO BE DETERMINED BY THE CUSTOMER.
 - 11. CONNECTOR KEEP-OUT ZONE.

mat'l code				SEE NOTE	tolerances unless otherwise specified	CUSTOMER	FCI www.fciconnect.com	
ltr	ecr no.	dr	date	linear	0.X ± 0.5	COPY	title	
A					0.XX ± 0.25	projection	6P + 24S RIGHT ANGLE SOLDER HEADER	
				angles	0.XXX ± 0.1		product family	
				dr	0° ± 2°	MIM	PwrBlade	code
				enr	Warren Du 08/24/09	← MIM →	size	213
				chr	Warren Du 08/24/09	scale	dwg no	sheet
				appd	PM ZHENG 08/24/09	1:1	A 51732-056	4 of 4
					JOSEPH HSIA 08/24/09			
sheet index	revision sheet							

cage code 22526