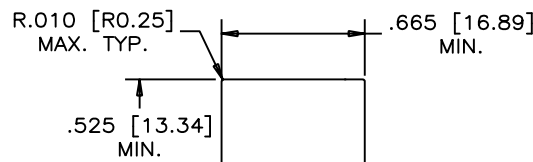
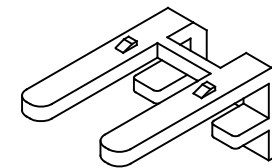


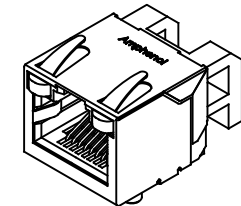
TOP VIEW



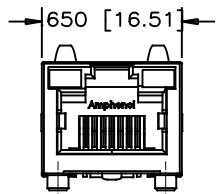
RECOMMENDED PANEL CUTOUT



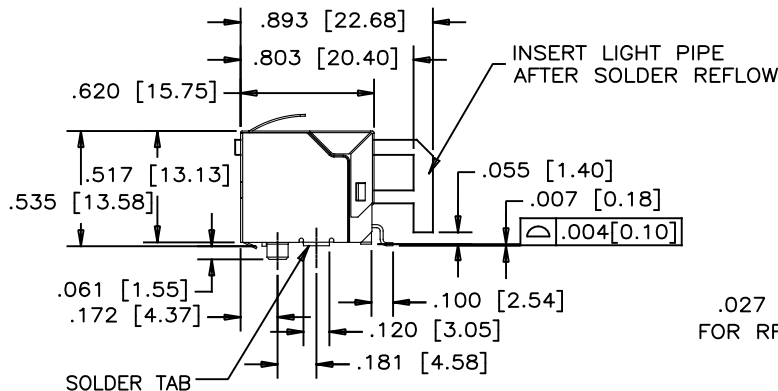
LIGHT PIPE



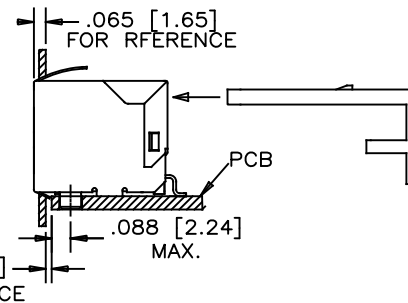
FINISH CONNECTOR



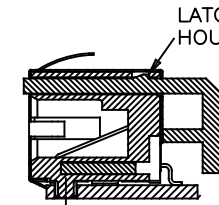
FRONT VIEW



SIDE VIEW

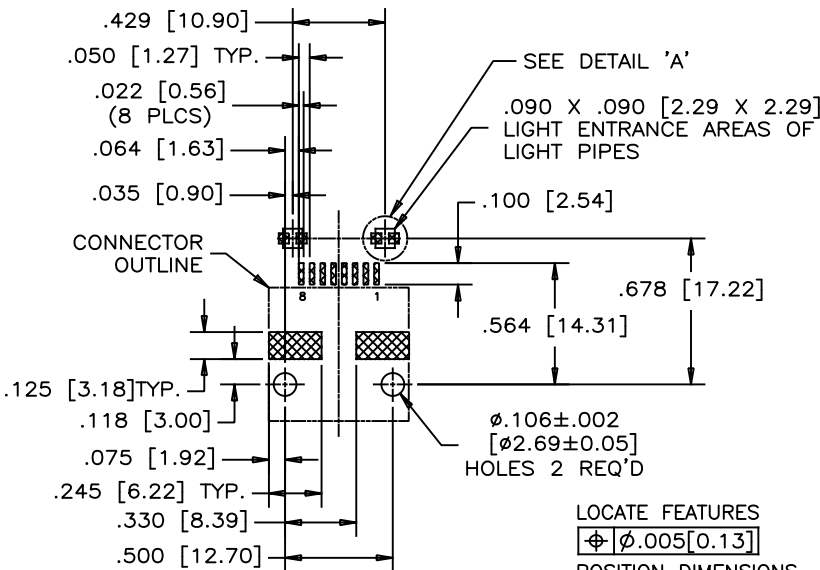


FOR REFERENCE

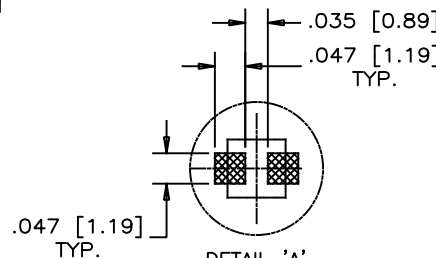


LATCH TO THE HOUSING OPENING

AFTER SOLDER REFLOW, LOAD LIGHT PIPE THROUGH THE CONNECTOR REAR ACCESS IN THE DIRECTION AS SHOWN



RECOMMENDED P.C.B. LAYOUT (COMPONENT SIDE OF BOARD)



DETAIL 'A' (ENLARGED) SMT LED SOLDER PAD (SMT LED TO BE PROVIDED BY THE CUSTOMER)

MATERIALS:
 PLASTIC HOUSING: ENGINEERING THERMOPLASTIC
 FLAMMABILITY RATING UL 94V-0
 CONTACTS: PHOSPHOR BRONZE
 PLATING: 20 μ" [1.27 MICRONS] MIN. GOLD ON MATING SURFACES.
 50 μ" [1.27 MICRONS] MIN. NICKEL UNDERPLATE.
 100 μ" [2.54 MICRONS] MIN. MATTE TIN ON CONTACT
 TAILS.
 SHIELD: COPPER ALLOY
 PLATING: NICKEL
 LIGHT PIPE: CLEAR POLYCARBONATE
 FLAMMABILITY RATING UL 94V-0

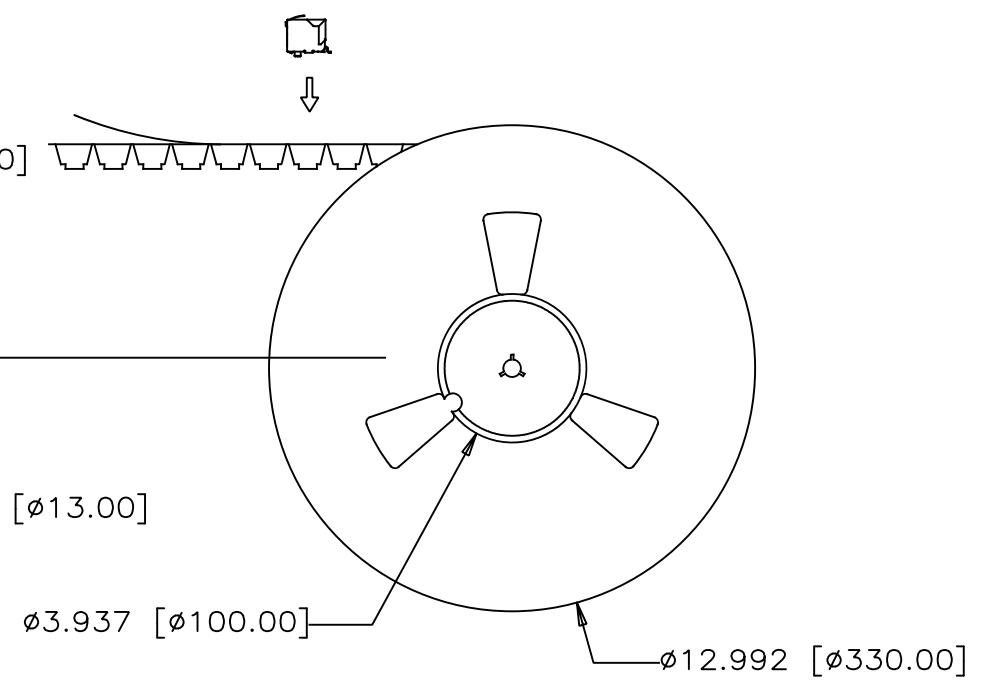
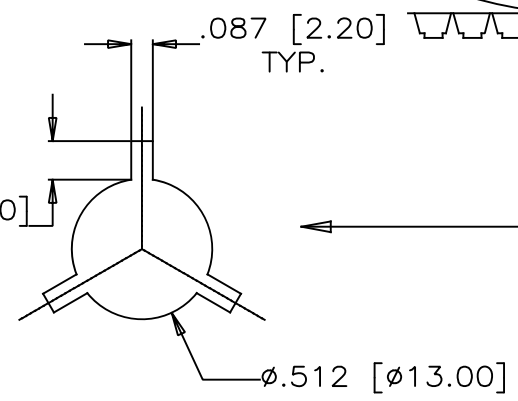
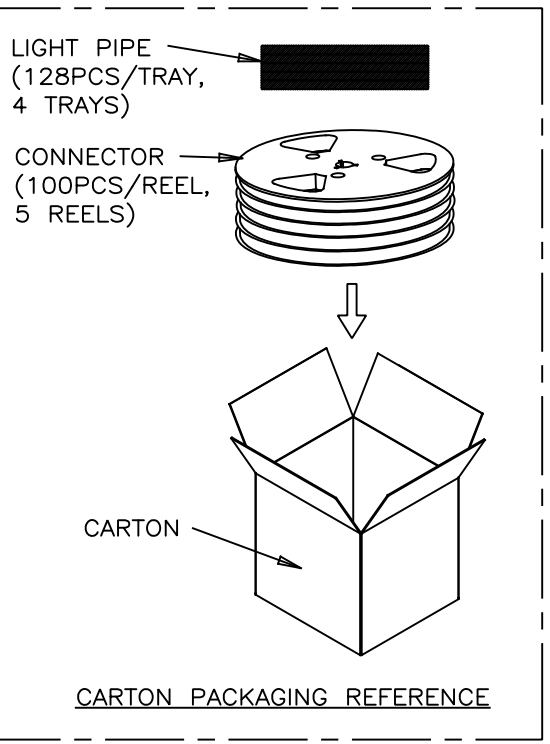
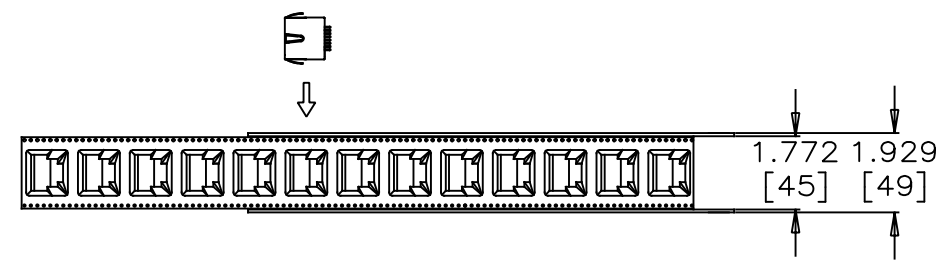
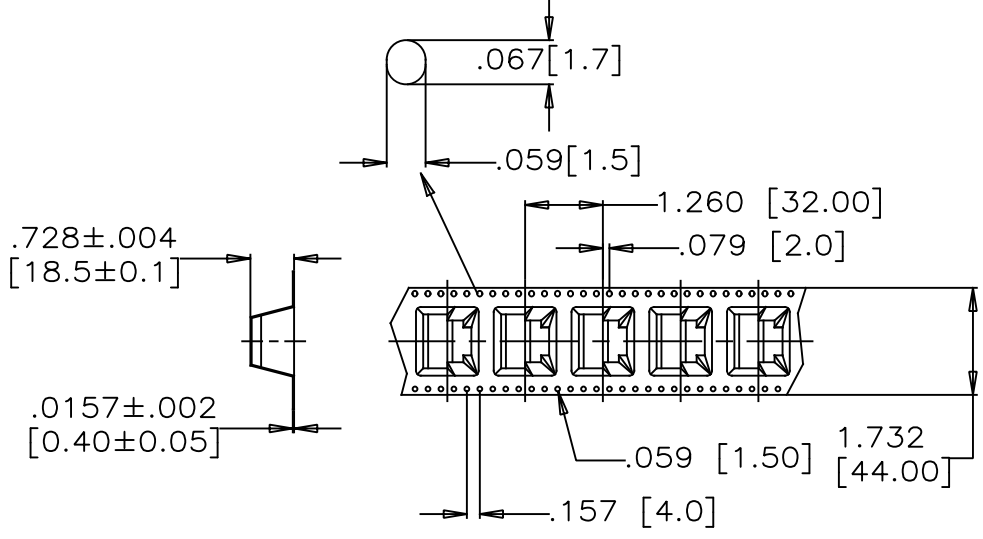
PART NUMBER: RJ SSE-5381-01T

REVISIONS			
REV	DESCRIPTION, ECN, EAR NO.	DATE	APP'D
A	PROPOSAL	APR08/05	L.CHAN
B	CORRECT DIMENSION AND PACKAGING QUANTITY	JAN18/16	L.CHAN
C	PROPOSAL	FEB27/20	L.CHAN
D	ADD PACKAGING VIEW	JUN17/21	L.CHAN

UNLESS SPECIFIED OTHERWISE	DRAWN L.DENG	APR08/05
PRIMARY UNITS INCHES	CHECKED	
SECONDARY MILLIMETERS	M.E. APP'D	
REFERENCE IN PARENTHESES	Q.A. APP'D	
GENERAL TOLERANCES	DWG APP'D	
1 DECIMAL PLACE	ENG. REL. NO.	
2 DECIMAL PLACES	REF.	
3 DECIMAL PLACES ±.015	THIRD ANGLE PROJECTION	DO NOT SCALE DRAWING
ANGULAR DEGREES ±1.5°		

Amphenol Canada Corp. Commercial Products	
SINGLE PORT, SURFACE MOUNT RJ45 8 POSITION, 8 CONTACTS, SHIELDED WITH LIGHT PIPE, TAPE & REEL PACKAGING -RoHS COMPLIANT	
DWG NO. P-RJSSE-5381-01T	REV D
CODE ID NO. 03554	DWG SIZE X SCALE N/A SHEET 1 OF 2

REVISIONS			
REV	DESCRIPTION, ECN, EAR NO.	DATE	APP'D
A	PROPOSAL	APR08/05	L.CHAN
B	CORRECT DIMENSION AND PACKAGING QUANTITY	JAN18/16	L.CHAN
C	PROPOSAL	FEB27/20	L.CHAN
D	ADD PACKAGING VIEW	JUN17/21	L.CHAN



PACKAGING NOTES:

1. ONE REEL SHOULD HOLD 100 CONNECTORS.
2. ONE REEL SHOULD HOLD 128 LIGHT PIPES.
3. A FULLY LOADED CARTON SHOULD CONTAIN 5 REELS (500 PCS) OF CONNECTORS AND 4 TRAYS (500 PCS) OF LIGHT PIPES.

THIS DOCUMENT CONTAINS PROPRIETARY INFORMATION AND SUCH INFORMATION MAY NOT BE DISCLOSED TO OTHERS FOR ANY PURPOSE OR USED FOR MANUFACTURING PURPOSES WITHOUT WRITTEN PERMISSION FROM AMPHENOL CANADA CORP.

UNLESS SPECIFIED OTHERWISE	DRAWN L.DENG	APR08/05	Amphenol Canada Corp. Commercial Products
PRIMARY UNITS INCHES	CHECKED		
SECONDARY MILLIMETERS	M.E. APP'D		SINGLE PORT, SURFACE MOUNT RJ45 8 POSITION, 8 CONTACTS, SHIELDED WITH LIGHT PIPE, TAPE & REEL PACKAGING -RoHS COMPLIANT
REFERENCE IN PARENTHESES	Q.A. APP'D		
GENERAL TOLERANCES	DWG APP'D		DWG NO. P-RJSSE-5381-01T
1 DECIMAL PLACE	ENG. REL. NO.		
2 DECIMAL PLACES	REF.		REV D
3 DECIMAL PLACES ±.015	THIRD ANGLE PROJECTION	DO NOT SCALE DRAWING	
ANGULAR DEGREES ±1.5°			CODE ID NO. 03554 DWG SIZE X SCALE N/A SHEET 2 OF 2