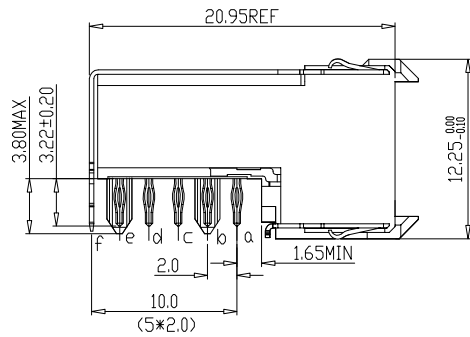


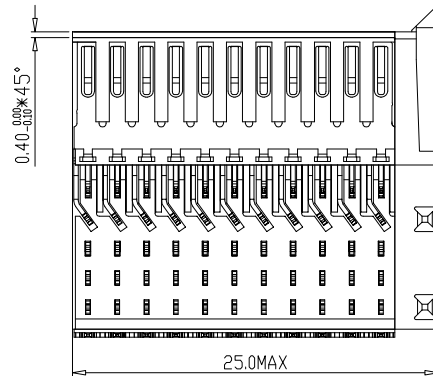
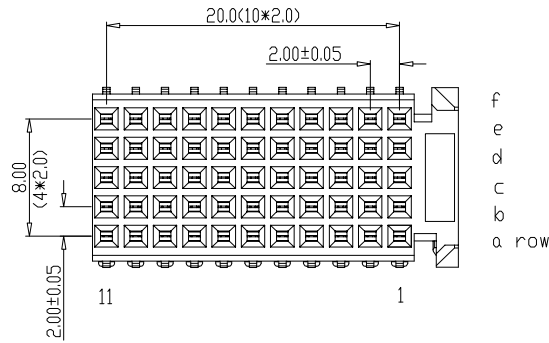
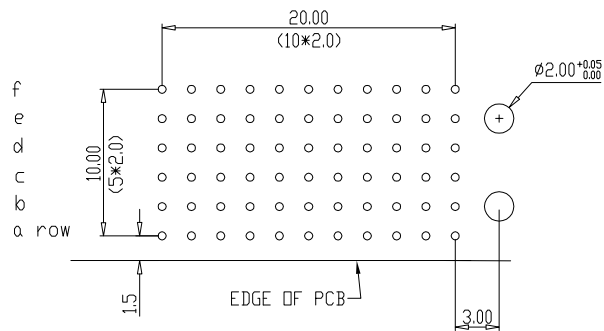


All rights strictly reserved. Reproduction or issue to third parties in any form whatever is not permitted without written authority from the proprietor.
Property of FCI. Copyright FCI.

Tous droits strictement réservés. Reproduction ou communication à des tiers interdite sous quelque forme que ce soit sans autorisation écrite du propriétaire.
Propriété de c FCI. Droits de reproduction FCI.



LAY-OUT
P.C.B.- HOLE



PERFORMANCE CHARACTERISTICS

- CURRENT RATING 1.5A AT 20°C (FULLY LOADED)
- 1 A AT 70°C (FULLY LOADED)
- RATED VOLTAGE : 500 V AC (CONT /CONT)
- OPERATING TEMPERATURE : -55°C TO 125°C
- CONTACT RESISTANCE 20 MΩ MAX
- INSERTION FORCE : 0.75N MAX/CONT
- EXTRACTION FORCE : 0.15N MIN/CONT
- INSULATION RESISTANCE : 10⁴ MΩ MIN

- NOTES 1:
- LEAD FREE INDICATOR :LF=LEAD FREE
 - PERFORMANCE LEVEL INDICATOR (REF DWG NO.BSC 201844.003)
 - 2. THIS PRODUCT IS CSA APPROVED, THIS PRODUCT IS UL RECOGNIZED.
 - 3. FOR RECOMMENDED PTH DIMENSIONS REFER DRAWING : BS.A.201572.001
 - 4. THIS PRODUCT (LF) MEETS EUROPEAN UNION DIRECTIVES AND OTHER COUNTRY REGULATIONS AS DESCRIBED IN GS-22-008

rev	ecn no	dr	date
A	CONVERSION REVISION 02	KN	14-09-01
B	DG05-0278	Kason	02-08-05
C	DG07-0362	Kason	05-09-07
D	DG10-0110	NZ	05-30-10

Material		Spec ref	
Mat code		✓	MM
Heat treat			
Plating/Finish			
Dr	W,Paris	10-01-95	tolerance 1DEC ± 0.2 1DEC 2DEC ± 0.1 2DEC ANGLES ± 1° HOEKEN
Eng		Product family	projection size A4
Chr		MILLIPACS	Scale 2.000
Appr		Model Name	ECN
		Model Revision	REL Level
FCI		title	dwg no
		MPACS 5+2R RA RCP CONN TYPE CR	BSC201444022
Pro/E file	catalog no	HM2R20PA5104----	Rev. D
		CUSTOMER DRAWING	sheet 1 of 1