

FB-MUX/HS/DIO-NAM/PA - Multiplexer



2316270

<https://www.phoenixcontact.com/us/products/2316270>

Please be informed that the data shown in this PDF document is generated from our online catalog. Please find the complete data in the user documentation. Our general terms of use for downloads are valid.



The FB-MUX/HS/DIO-NAM/PA head station can be used with up to three 4-channel NAMUR digital input modules (RAD-NAM4-IFS) and two 4-channel digital output modules (RAD-DOR4-IFS). This configuration can be used as a valve coupler solution to open and close, as well as monitor, the position of a valve.

Product description

The fieldbus PA multiplexer headstation allows the integration of standard Radioline I/O modules to a Profibus PA network. The FB-MUX/HS/PA has five profile software versions for different IO configurations.

Your advantages

- UL listed
- Suitable for ATEX Zone 2
- Scalable according to application needs
- Five application-specific head stations allow simple implementation in the field
- Easy integration into host system with an EDD-, GSD-, or DTM-data file
- IECEx CoC
- No software needed thanks to a pre-configured head station
- Connection of all I/O field signals with standard PROFIBUS PA cable

Commercial data

Item number	2316270
Packing unit	1 pc
Sales key	DN11
Product key	DNC135
Catalog page	Page 461 (C-6-2019)
GTIN	4055626323305
Weight per piece (including packing)	185.1 g
Weight per piece (excluding packing)	185.1 g
Customs tariff number	85176200
Country of origin	US

Technical data

Notes

Utilization restriction

CCCex note	Use in potentially explosive areas is not permitted in China.
------------	---

Product properties

Product type	Interface converter
--------------	---------------------

Insulation characteristics

Overvoltage category	II
Degree of pollution	2

Electrical properties

Protective circuit	Transient voltage suppression; Suppressor diode
--------------------	---

Supply

Supply voltage range	19.2 V DC ... 30.5 V DC
Max. current consumption	50 mA (At 24 V DC, at 25°C)

Connection data

Connection method	Screw connection
Stripping length	7 mm
Screw thread	M3
Conductor cross section rigid	0.2 mm ² ... 2.5 mm ²
Conductor cross section flexible	0.2 mm ² ... 2.5 mm ²
Conductor cross section AWG	24 ... 14
Tightening torque	0.5 Nm ... 0.6 Nm

Interfaces

Data: PROFIBUS PA

Transmission speed	31.25 kbps
Number of connections	1
Connection method	Terminal block
No. of channels	1
Current consumption I_{AUX}	12 mA
Output nominal voltage	24 V DC

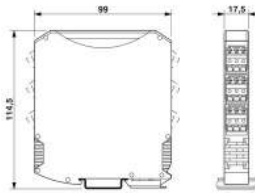
Dimensions

FB-MUX/HS/DIO-NAM/PA - Multiplexer



2316270

<https://www.phoenixcontact.com/us/products/2316270>

Dimensional drawing	
Width	17.5 mm
Height	114.5 mm
Depth	99 mm

Material specifications

Flammability rating according to UL 94	V0
Housing material	PA 6.6-FR

Environmental and real-life conditions

Ambient conditions

Degree of protection	IP20
Ambient temperature (operation)	-40 °C ... 70 °C
Ambient temperature (storage/transport)	-40 °C ... 85 °C
Altitude	< 2000 m
Permissible humidity (operation)	20 % ... 95 % (non-condensing)

Approvals

Ex data

ATEX	IBExU 17ATEXB011X; II 3 G; Ex ec IIC T4 Gc
IECEX	IECEX IBE 17.0029X; Ex ec IIC T4 Gc
UL, USA / Canada	Class I, Div. 2, Groups A, B, C, D T4 Class I, Zone 2, AEx ec IIC T4, Ex ec IIC T4 Gc X

FB-MUX/HS/DIO-NAM/PA - Multiplexer

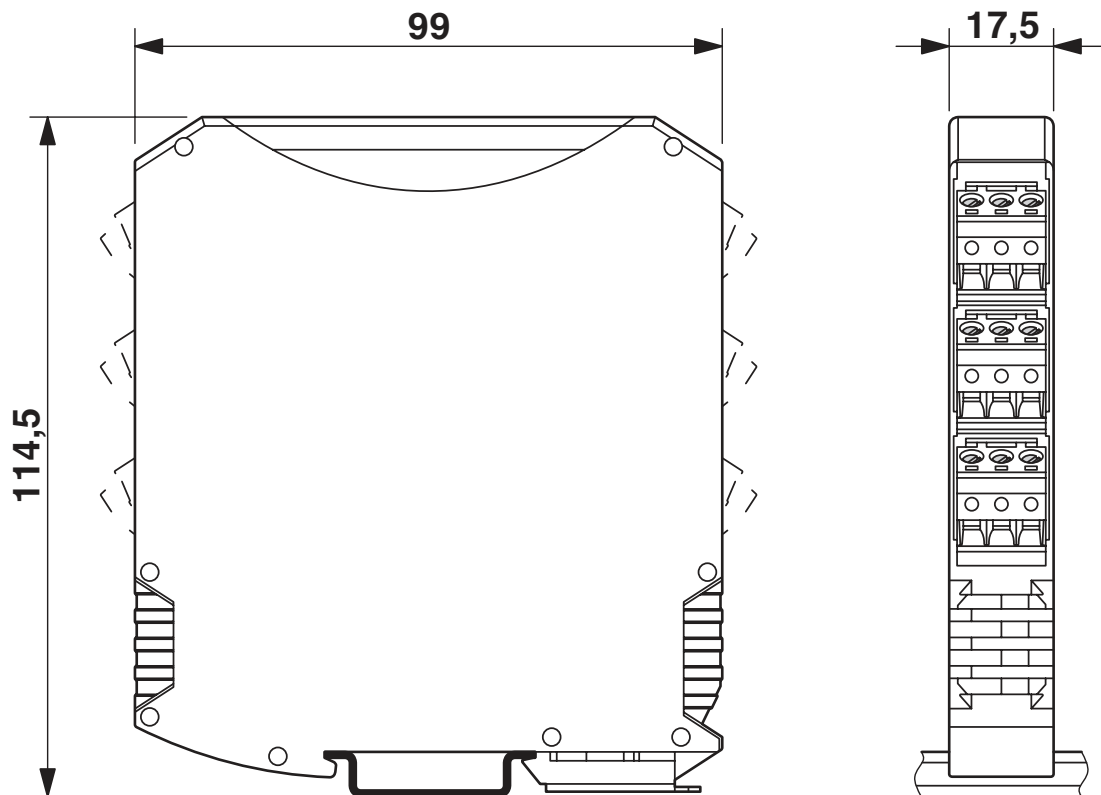
2316270

<https://www.phoenixcontact.com/us/products/2316270>



Drawings

Dimensional drawing

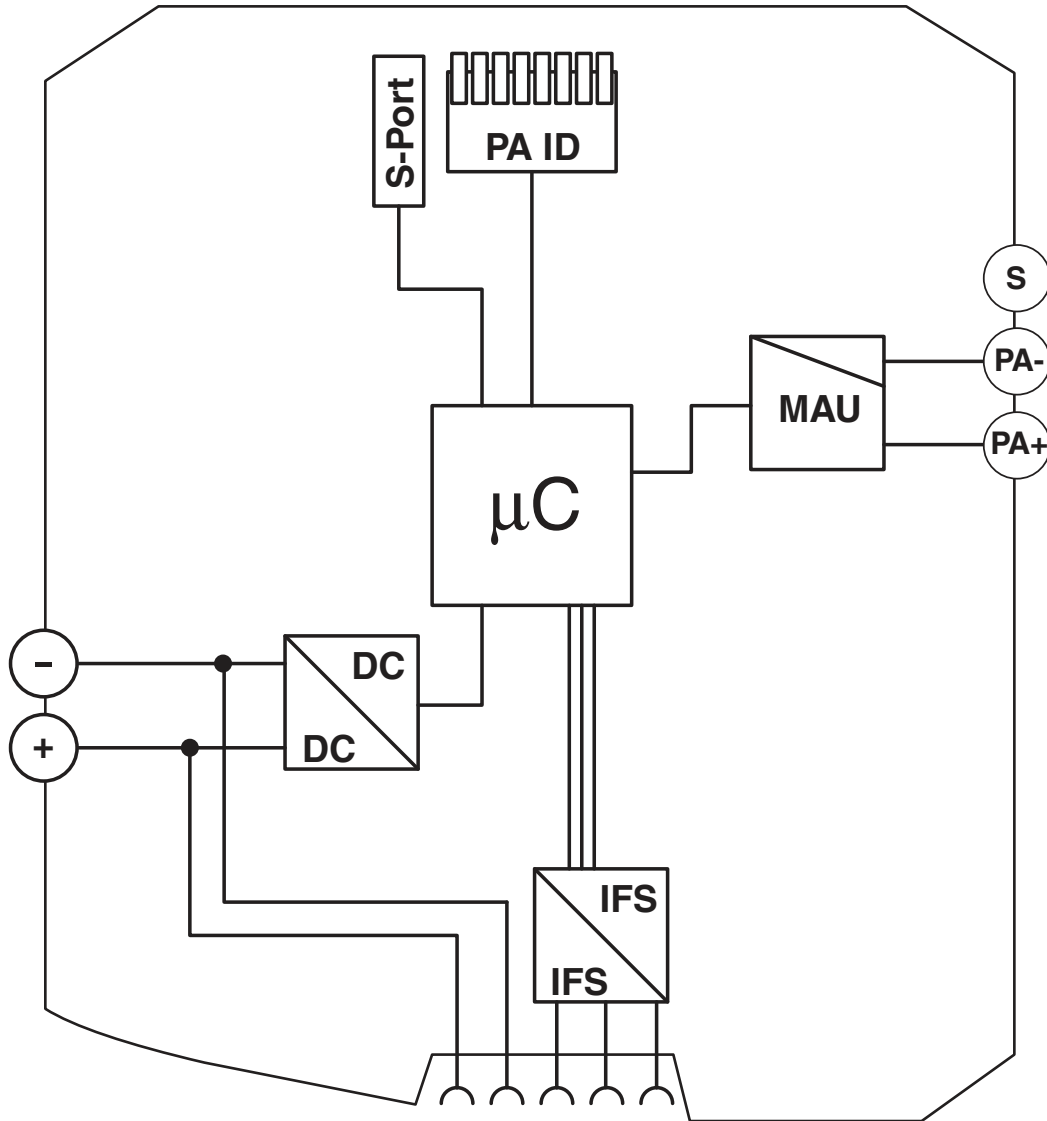


FB-MUX/HS/DIO-NAM/PA - Multiplexer

2316270

<https://www.phoenixcontact.com/us/products/2316270>

Block diagram



FB-MUX/HS/DIO-NAM/PA - Multiplexer



2316270

<https://www.phoenixcontact.com/us/products/2316270>

Classifications

ECLASS

ECLASS-11.0	19179090
ECLASS-12.0	19179090
ECLASS-13.0	19179090

ETIM

ETIM 8.0	EC002608
----------	----------

UNSPSC

UNSPSC 21.0	43222600
-------------	----------

FB-MUX/HS/DIO-NAM/PA - Multiplexer



2316270

<https://www.phoenixcontact.com/us/products/2316270>

Environmental product compliance

REACH SVHC

Lead 7439-92-1

FB-MUX/HS/DIO-NAM/PA - Multiplexer



2316270

<https://www.phoenixcontact.com/us/products/2316270>

Accessories

RAD-NAM4-IFS - I/O extension module

2316275

<https://www.phoenixcontact.com/us/products/2316275>



Radioline - I/O extension module, 4 NAMUR digital input module used in Radioline and PROFIBUS PA MUX I/O systems. Fulfills the NAMUR proximity sensor standard EN 60947-5-6, and communication to the head stations for Radioline systems and the FB-MUX/HS...PA via the T-BUS connector installed on the DIN rail. This module has channel-to-channel isolation.

RAD-DOR4-IFS - I/O extension module

2901536

<https://www.phoenixcontact.com/us/products/2901536>



Radioline - I/O extension module, 4 digital relay outputs (5 A, 250 V AC/DC)

Phoenix Contact 2023 © - all rights reserved

<https://www.phoenixcontact.com>

Phoenix Contact USA

586 Fulling Mill Road

Middletown, PA 17057, United States

(+717) 944-1300

info@phoenixcon.com