

ACPM-7717

Multiband Multimode PA Quad-Band GSM/EDGE and Multi Mode B1/B2/B3/B4/B5/B8/B17(20,28)

Product Brief

Description

The ACPM- 7717 is a multiband, multimode PA (power amplifier) that supports GMSK and 8-PSK modulation schemes and UMTS bands 1, 2, 3, 4(34,39), 5, 8, and 17(20, 28).

A directional coupler is integrated for UMTS PAs, and the isolation port is terminated internally.

Input and output terminals are internally matched to 50 ohms. The power amplifier is manufactured on an advanced InGaP HBT technology that offers state-of-the-art reliability, temperature stability, and ruggedness. This module is housed in a cost-effective, extremely small and thin 5 mm × 7 mm package.

Features

- Internal daisy-chain coupler
- Quad-band GSM/EDGE
- UMTS/LTE: four high band outputs and three low band outputs
- UMTS B1, B2, B3, B4, B5, B8, and B17(20,28)
- Small size (7 mm × 5 mm)
- APT compatible
- High efficiency with APT
- Compatible with MIPI RFFE
- Forty-two-pin surface mounting package
- Internal 50-ohm matching networks for both RF input and output
- Green – Lead-free and RoHS compliant

Application

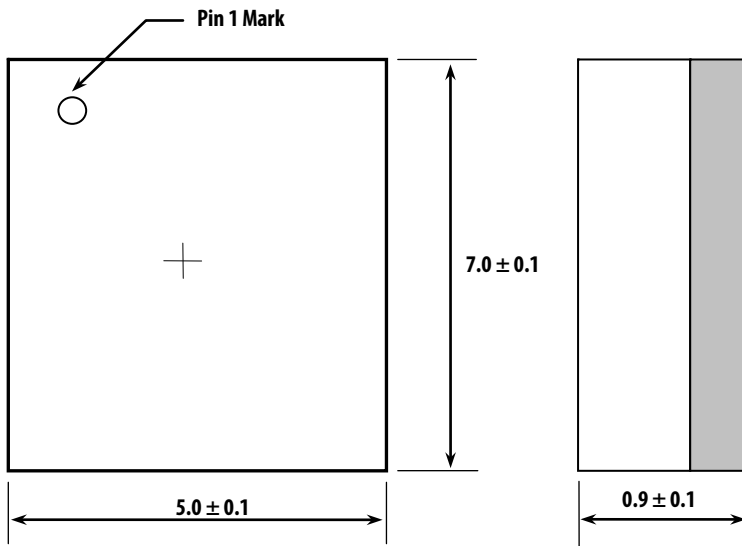
- GSM850/900, DCS1800/PCS1900
- UMTS/LTE B1, C2K BC6
- UMTS/LTE B2, LTE B25, C2K BC1
- UMTS/LTE B3
- UMTS/LTE B4
- TD-SCDMA B34, B39, TD-LTE B39
- UMTS/LTE B5, LTE B26, C2K BC0
- UMTS/LTE B8
- LTE B17, B20 or B28

Ordering Information

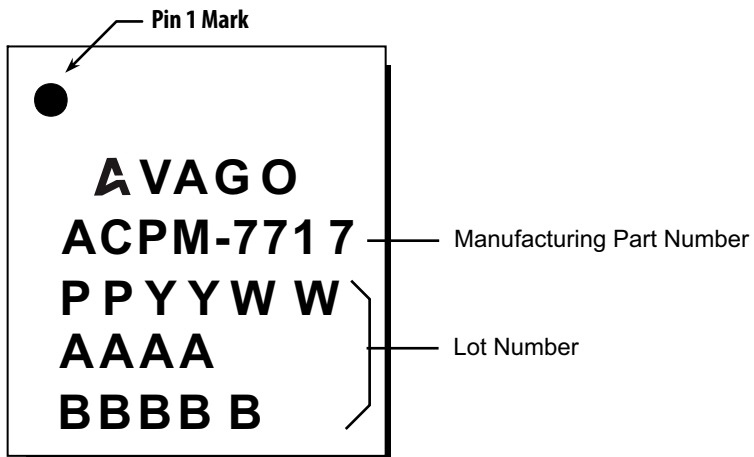
Part Number	Number of Devices	Container
ACPM-7717-TR1	1,000	178 mm (7 in.) tape/reel

Package Dimensions

The dimensions are in millimeters.



Marking Specification



Pin Description

		GND	GND	GND	GND	GND	CPL	GND		
RFIN_B1_B2	1	42	41	40	39	38	37	36	35	RFOUT_B1
RFIN_B3_B4_34_39	2								34	RFOUT_B3
RFIN_B26	3								33	RFOUT_B4_34_39
RFIN_B5_B8	4								32	RFOUT_B2
RFIN_B12/17_20_28	5								31	RFOUT_B5_B26
VIO	6								30	RFOUT_B12/17_20_28
GND	7								29	RFOUT_B8
SCLK	8								28	VCC1_3G
SDATA	9								27	VCC2_3G
GND	10								26	VCC_GSM
VBATT	11								25	GND
GND	12								24	RFOUT_2G_HB
RFIN_2G_HB	13								23	GND
RFIN_2G_LB	14	15	16	17	18	19	20	21	22	RFOUT_2G_LB
		GND	GND	GND	GND	GND	GND	GND		

For product information and a complete list of distributors, please go to our web site:

www.avagotech.com

Avago, Avago Technologies, and the A logo are trademarks of Avago Technologies in the United States and other countries. All other brand and product names may be trademarks of their respective companies.

Data subject to change. Copyright © 2015 Avago Technologies. All Rights Reserved.

AV02-4877EN – 2015-03-24

AVAGO
TECHNOLOGIES

