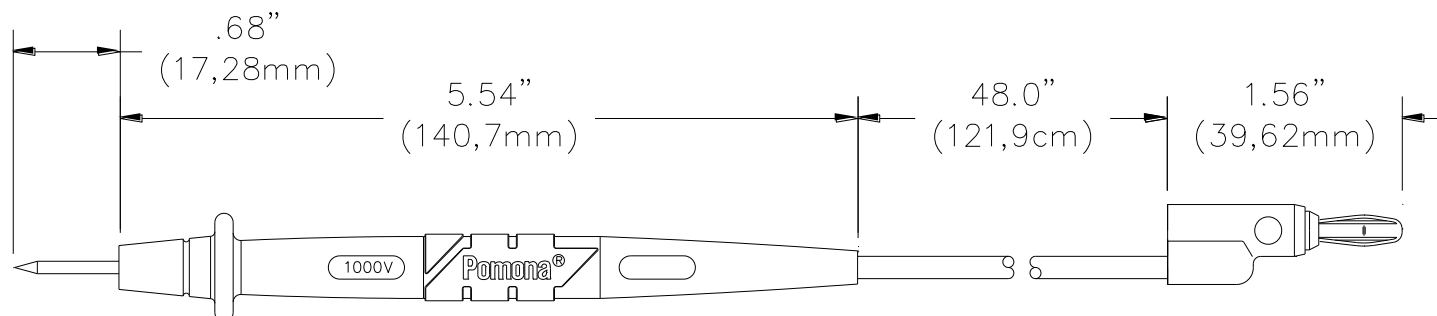


Model 5309A**Replacement DMM Test Lead Set For Industrial Use****FEATURES**

- Designed for DMM's with non-sheathed banana jacks.
- Probe body incorporates a two-step mold process. First step is Polypropylene for probe rigidity. Second step is Santoprene® rubber for handling comfort, added insulation protection and wire strain relief.
- Probe body and banana plug are molded directly to the wire for robust pull strength.
- Wire is a high strand count silicone wire for extreme flexibility and high temperature resistance.
- Wear indication with double insulated (dual extruded) silicone leads shows white inner layer for increased safety.
- The Stainless Steel .080" (2mm) tip is provided for heavy-duty industrial applications.

MATERIALS*Probe Body:*

Outer Insulation – Santoprene® Rubber, Color: Gray

Inner Insulation – Polypropylene, Fire Retardant

Color: One Black, One Red

Tip: Stainless Steel

Wire:

18 AWG, 192 x 41 bare copper, Silicone Insulation, O.D. 0.144" (3,66mm), Length: 48" (121,9cm)

Banana Plug:

Body – Brass, Nickel Plated

Spring – Beryllium Copper, Nickel Plated

Insulation: Polypropylene, Color: One Black, One Red

RATINGS

Voltage: For CE compliance and for personal safety, do not hold in hand when voltages exceed 30 Vrms/42.4 Vpk/60 Vdc or current exceeds 8A maximum. Maximum voltage for hands free use: 1000 V. Do not use on circuits where transient stresses can exceed the rated voltage.

Current: 10 Amps

ORDERING INFORMATION

Model 5309A (set of one Black and one Red test lead)

USA: Sales: 800-490-2361
Technical Support: technicalsupport@pomonatest.com
Fax: 425-446-5844

Europe: 31-(0) 40 2675 150 **International:** 425-446-5500

Where to Buy: www.pomonaelectronics.com

All dimensions are in inches. Tolerances (except noted): .xx = ±.02" (.51 mm), .xxx = ±.005" (.127 mm). All specifications are to the latest revisions. Specifications are subject to change without notice. Registered trademarks are the property of their respective companies.